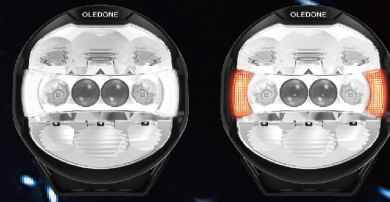




Well-Done, light up the future!

Hubble 9" WD-LS150 Laser Driving Light



Switchable White/Amber Position Light



CE RoHS E-Mark

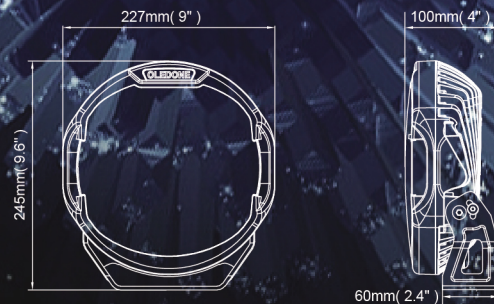
Description

- Switchable White/Amber position light.
- Customizable unique logo light, side-shooting technology applied, big-bowl type glare-free reflector.
- Mini size laser module can integrate multiple laser chips, while some other laser lights using large size laser module that can only match 1 laser chip.
- In the market most existing laser lights are using 1st or 2nd generation laser chip, but LS150 is using the most advanced 3rd generation laser chip which leads future's laser chip developing tendency. It's much safer, more stable & reliable, more focused and providing an ultra long illuminating distance.
- The laser chip we are using has passed the safety regulation approval (Class I).

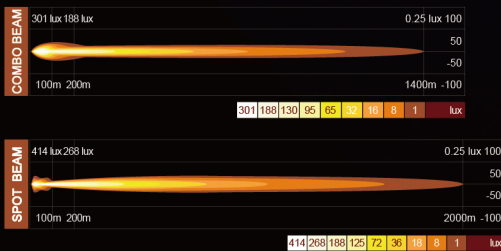
Technical Data

Version	Laser Version
E-Mark/Approval	R112 R7 R10
Chip	8pcs LED chips + 2pcs Laser chips
Power Consumption	150W
Working Voltage	10-32V
Output Lumens	16,000 lm
Color Temperature	6000K
Driving Light	White
Position Light	White / Amber
Beam Pattern	Spot, Combo
Lifespan	>30,000 hours
Connector	Deutsch 3-pin
Working Temperature	-40°C~65°C
Dimensions	245*227*100mm
Vibration Resistance	15Grms 24—2000Hz
Shock Resistance	60G
IP Rating	IP68
EMC	EN55025 Class3

Dimensions



Beam Pattern



Shenzhen Well-Done Industrial Co., Ltd
www.well-done.net.cn