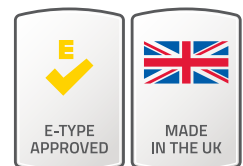


© MASTER PIR (TSPiR)

- © Built in PIR sensor/switch; 5 minute timer
- © Low power consumption; powers up to a 4.5A load
- © Low profile - only 20mm
- © Waterproof IP67 option available
- © Robust construction with unique impact deflection design



Internal View



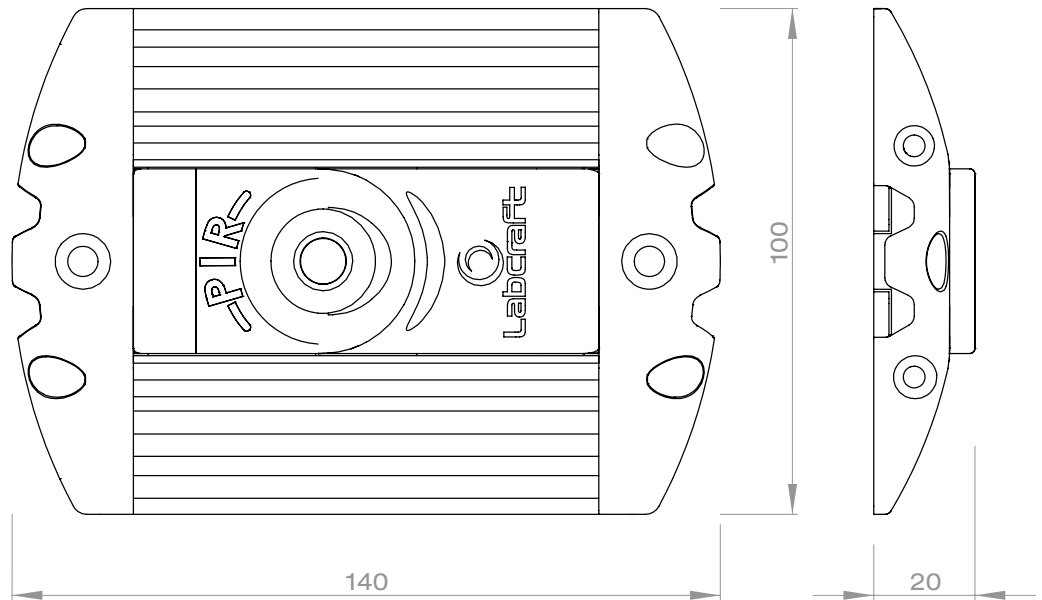
See technical specs overleaf >>>

Labcraft Ltd:

Thunderley Barns, Thaxted Road,
Wimbish, Essex, CB10 2UT
T: +44 (0)1799 513434
F: +44 (0)1799 513437
E: sales@labcraft.co.uk
w: www.labcraft.co.uk



- Built in PIR sensor/switch** - The electronics used within this unit have been designed to detect the movement of body heat in order to activate the sensor.
- 5 minute timer** - Once the sensor has been triggered, this timer unit will automatically switch the connected lamps on for a period of 5 minutes before automatically switching off. If continuous movement is detected then the lights in the vehicle will remain on.
- Low energy consumption** - The timer switch has been designed to use a minimal amount of power to prevent any unnecessary load on the battery and to work effectively in conjunction with Labcraft lights.
- Low profile design** - This surface mounted unit is only 20mm in depth therefore keeping obstruction and damage to the minimum.



MASTER PIR (TSPIR)



Specification

ALL DIMENSIONS HAVE A TOLERANCE OF +/-1mm

		TS5PIR	TS5PIR/2
Voltage Range	VDC	10-15	20-28
Max Load Current	A	4.5A	4.5A
Weight	kg	0.22	0.22
Temp. Range	°C	-30 to +40	-30 to +40
Switch on time	min	5 - 7	5 - 7
Angle of sensor	°	88	88
Off-load Current	mA	40	40
IP Rating	IP	IP50 IP67 (WP)	IP50 IP67 (WP)

E & OE

MASTER PIR (TSPIR)