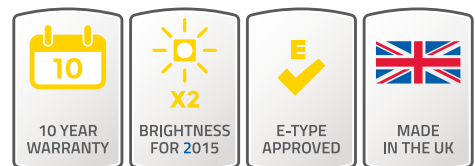


LED SCENELITE (SI8)

- Over 1100 lumens; > 620 lux @ 1 metre
- Compact design covering over 20m²
- Solid aluminium base
- Multi-voltage (10-32V)
- Waterproof to IP67



Internal View



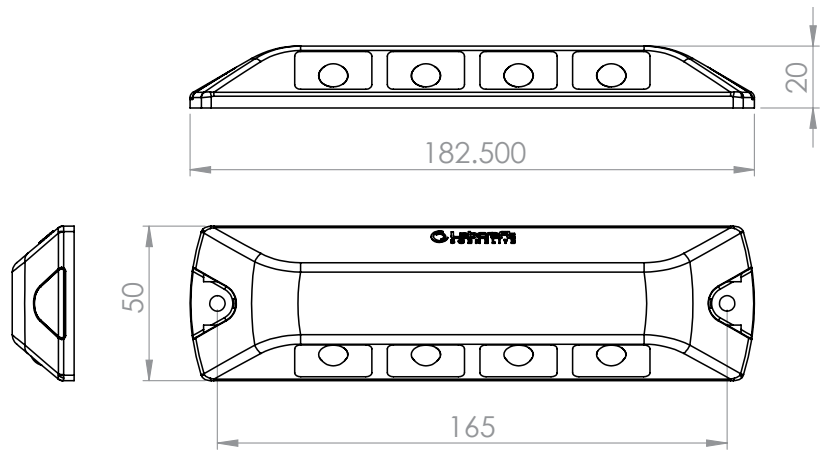
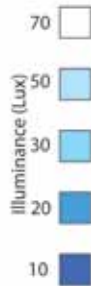
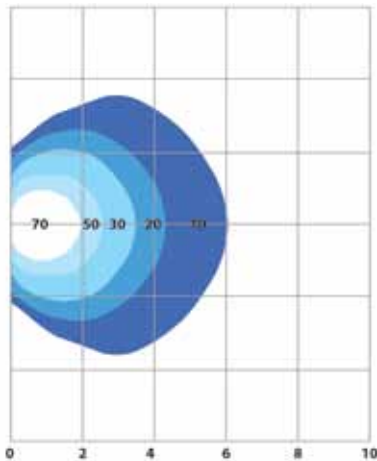
See technical specs overleaf >>>

Labcraft Ltd:

Thunderley Barns, Thaxted Road,
Wimbish, Essex, CB10 2UT
T: +44 (0)1799 513434
F: +44 (0)1799 513437
E: sales@labcraft.co.uk
w: www.labcraft.co.uk



- Over 1100 lumens** - Long life, high intensity Cree LEDs produce a clean white light and creates a safe working environment, producing a light reading of 620 lux at 1 metre.
- Multi-voltage (10-32V)** - Engineered to suit a broad range of vehicles and voltages; the circuit can withstand changes in voltage and will provide consistent light output.
- Solid aluminium base** - This gives a robust product and ensures the LEDs run as cool as possible for longer life.
- Waterproof to IP67** - The tough outer enclosure and potting over more sensitive components provides protection against severe weather conditions and pressure washing.
- E-type approval** - The SI8 Scenelite will also benefit from the e-type approval.



SI8_4-3MV



SI8_4-3MWH



Specification

ALL DIMENSIONS HAVE A TOLERANCE OF +/-1mm

		SI8_4-3MV
Voltage Range	VDC	10-32V
Average Current	A	12V = 1 24V = 0.5
Light Output	lm	1120
LED Power	W	10W
Weight	kg	0.14kg
Temp. Range	°C	-30 to +40
IP Rating	IP	IP67

E & OE