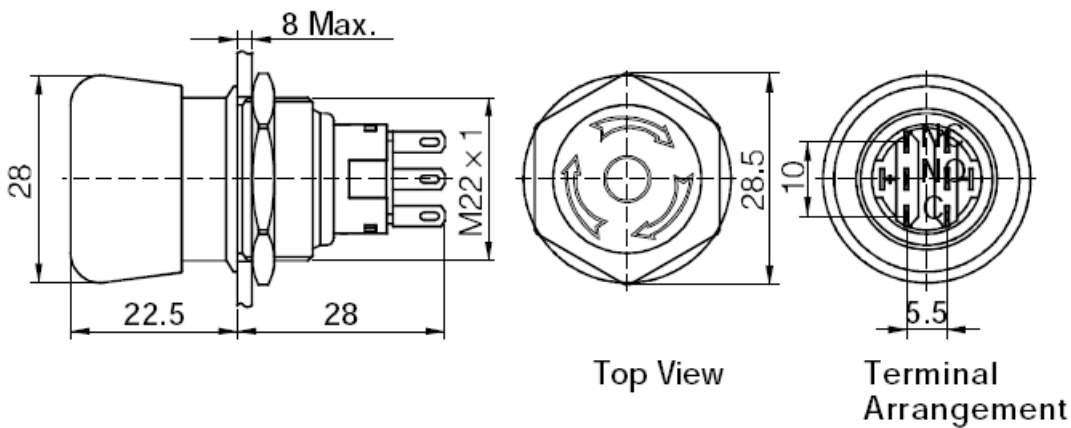


DATASHEET

Φ22 mm, Emergency switch, 2N O2NC,

Version 10/17

BN no. NAS04



10 MAX: means the panel thickness, the max thickness for the panel no more than 10mm.

Specification	GQ22-A-22TSB Emergency switch
Mounting diameter	22 mm
Operation type	Push on turn reset
Contact structure	2NO2NC
Switch rating	250VAC / 3 A
Body material	Aluminium
Operating and storage temperature	-20 to +55 °C
Operating and storage humidity	45 to 85 % RH
Base material	PBT