

MaxiCompact® BLADE TYPE FUSE

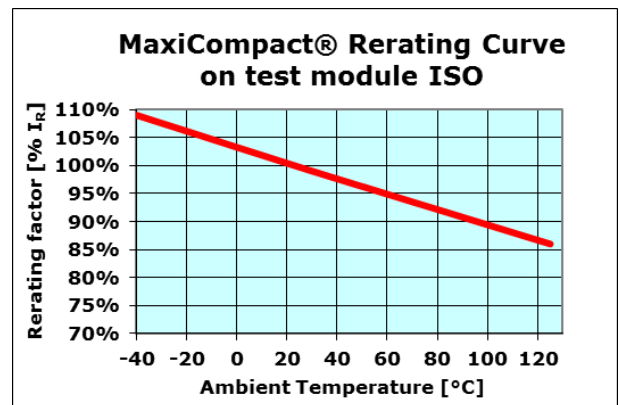
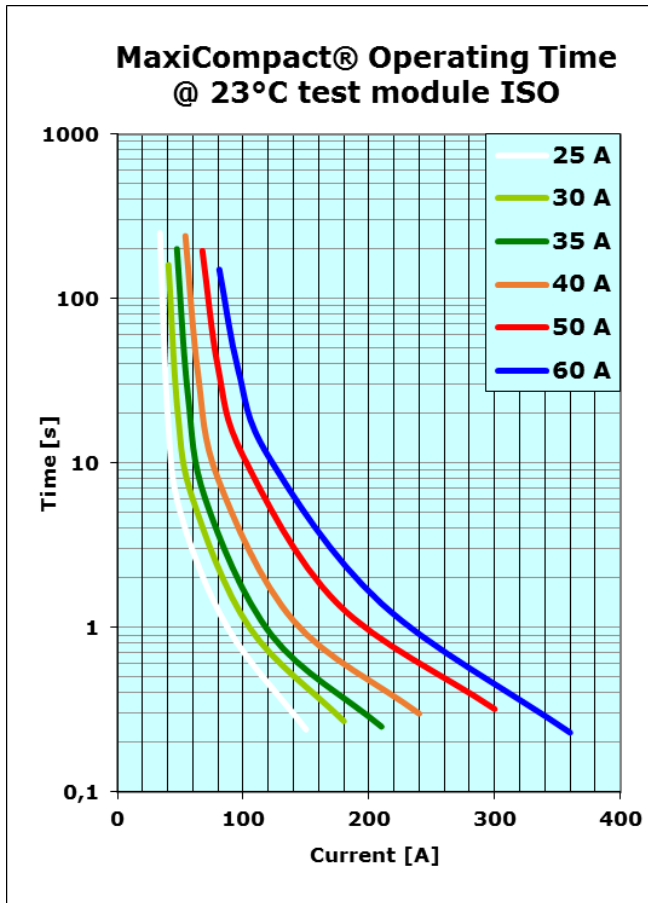
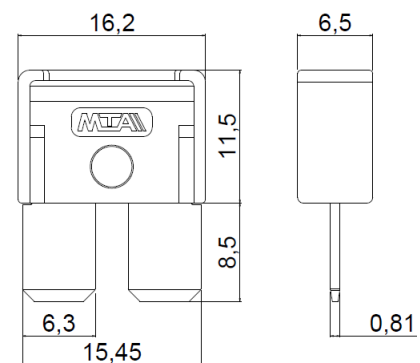
MaxiCompact® fuses are compliant with ISO 8820-10 Standard (Type "L": high current miniature).

MaxiCompact® are made of Zinc alloy whose low melting temperature avoids heavy over temperatures.

Breaking capacity: 1000 A
Voltage rating: 32 Vdc
Ambient temperature: -40°C to +125°C



MTA/ISO MaxiCompact® operating time limits		
% I _R	min [s]	max [s]
100	360000	-
135	60	300
160	10	70
200	2	30
350	0,2	7
600	0,04	1



CURRENT RATING [A]	VOLTAGE DROP @ current rating [mV]	CABLE SIZE [mm ²]	I ² t
25	< 125	2,5	10500
30	< 120	2,5	13500
35	< 120	4,0	12500
40	< 120	4,0	15600
50	< 120	6,0	24500
60	< 120	6,0	28200