

**THE NETHERLANDS
(N E D E R L A N D)****COMMUNICATION**Concerning ⁽¹⁾

- approval granted
- ~~approval extended~~
- ~~approval refused~~
- ~~approval withdrawn~~
- ~~production definitely discontinued~~

of a type of headlamp pursuant to Regulation number 112.

Approval number: E4-112R-010409**Extension number: 00**

1. Trade name or mark of the device : **PIAA**
2. Manufacturer's name for the type of device : 90048547 (LP550)
3. Manufacturer's name and address : Wuhu Valeo Automotive Lighting Systems Co., Ltd.
North Fengming Lake Road
(South of Longshan Tunnel),
Economic and Technological Development
Zone, Wuhu City, Anhui Province,
P. R. China 241009
4. If applicable, name and address of manufacturer's representative : Not applicable
5. Submitted for approval on : 23 September 2013
6. Technical service responsible for conducting approval tests : TÜV SÜD Automotive GmbH
Westendstraße 199
D-80686 München
7. Date of report issued by that service : 19 October 2013
8. Number of report issued by that service : 13-00465-CX-SHA-00



9. Brief description:
- Category as described by the relevant marking ⁽²⁾ : HR PL
- Number and category(s) of filament lamp(s) : Not applicable
- Reference luminous flux used for the principal passing beam (lm) : Not applicable
- Principal passing beam operated at approximately (V) : Not applicable
- Measures according to paragraph 5.8 of this Regulation : Not applicable
- Number and specific identification code(s) of LED module(s) and for each LED module a statement whether it is replaceable or not : ~~yes/no~~ ⁽¹⁾
- Number and specific identification code(s) of electronic light source control gear(s) : Not applicable
- Total objective luminous flux as described in paragraph 5.9. exceeds 2,000 lumens : ~~yes/no~~/does not apply ⁽¹⁾
- The adjustment of the cut-off has been determined at : ~~10 m/25 m~~/does not apply ⁽¹⁾
- The determination of the minimum sharpness of the 'cut-off' has been carried out at : ~~10 m/25 m~~/does not apply ⁽¹⁾
10. Approval mark position : On the housing
11. Reason(s) for extension of approval : Not applicable



12. Approval : granted/~~extended/refused/withdrawn~~⁽¹⁾
13. Place : Zoetermeer
14. Date : 30 October 2013
15. Signature :



 K.J. van Steensel

16. The list of documents deposited with the Administrative Service which has granted approval is annexed to this communication and may be obtained on request.
 - Information document: 90048547 (LP550)-00, 3 pages, dated September 10, 2013

⁽¹⁾ Strike out what does not apply.

⁽²⁾ Indicate the appropriate marking selected from the list below:

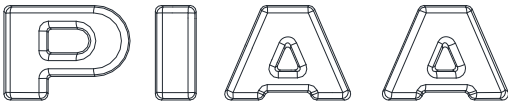
- C, C, C, R, R PL, CR, CR, CR, C/R, C/R, C/R, C/, C/, C/,
- ↔ → ↔ → ↔ → ↔ → ↔ → ↔
- C, PL, C PL, C PL, CR PL, CR PL, CR PL, C/R PL, C/R PL, C/R PL,
- ↔ → ↔ → ↔ → ↔ → ↔
- C/PL, C/PL, C/PL,
- ↔ → ↔
- HC, HC, HC, HR, HR PL, HCR, HCR, HCR, HC/R, HC/R, HC/R,
- ↔ → ↔ → ↔ → ↔ → ↔ → ↔
- HC/, HC/, HC/, HC PL, HC PL, HC PL, HCR PL, HCR PL, HCR PL, HC/R PL,
- ↔ → ↔ → ↔ → ↔ → ↔ → ↔
- HC/R PL, HC/R PL, HC/PL, HC/PL, HC/PL,
- ↔ → ↔ → ↔

Wuhu Valeo Automotive Lighting Systems Co., Ltd.
North Fengming Lake Road (South of Longshan
Tunnel), Economic and Technological Development
Zone, Wuhu City, Anhui Province, P. R. China 241009

September 10, 2013

We would like to apply for the type approval according to ECE.

Function	ECE approval number
Driving beam	E4-112R-010409

Trade name or mark	:	
Manufacturer's name for type of device	:	90048547 (LP550)
Name and address of manufacturer	:	Wuhu Valeo Automotive Lighting Systems Co., Ltd. North Fengming Lake Road (South of Longshan Tunnel), Economic and Technological Development Zone, Wuhu City, Anhui Province, P. R. China 241009

We confirm that the above mentioned application has not been submitted to any other EC member state nor has any other member state granted a corresponding approval.

Sincerely




Miss Li Hongmei
Wuhu Valeo Automotive Lighting Systems Co., Ltd.



Information folder No. : 90048547 (LP550)-00

First application date : September 10, 2013

1. Specification data

Type		90048547 (LP550)
Function		Driving beam
Color		White
Rated	Voltage	Version 1: 12V Version 2: 24V
	Wattage	14 W
Application Regulation ECE		R112.01 Class B
Location of marking	Number and category of light source	2*LED Non-replaceable light source
		Marked on housing
	Trade mark	
		Marked on badge
Approval mark	Marked on lens	

2. Construction and material

Construction	Material	Remarks
Lens	PC	Base material: Polycarbonate Make: Bayer, German Type: AL 2447 Coating and coating system: Make: Red Spot Paint & Varnish Co., Inc. Evansville, Ind. USA Type: UVT 200V
Reflector	PC	--
Housing	ADC12	--
Electrical Wiring	Copper covered with insulation	--

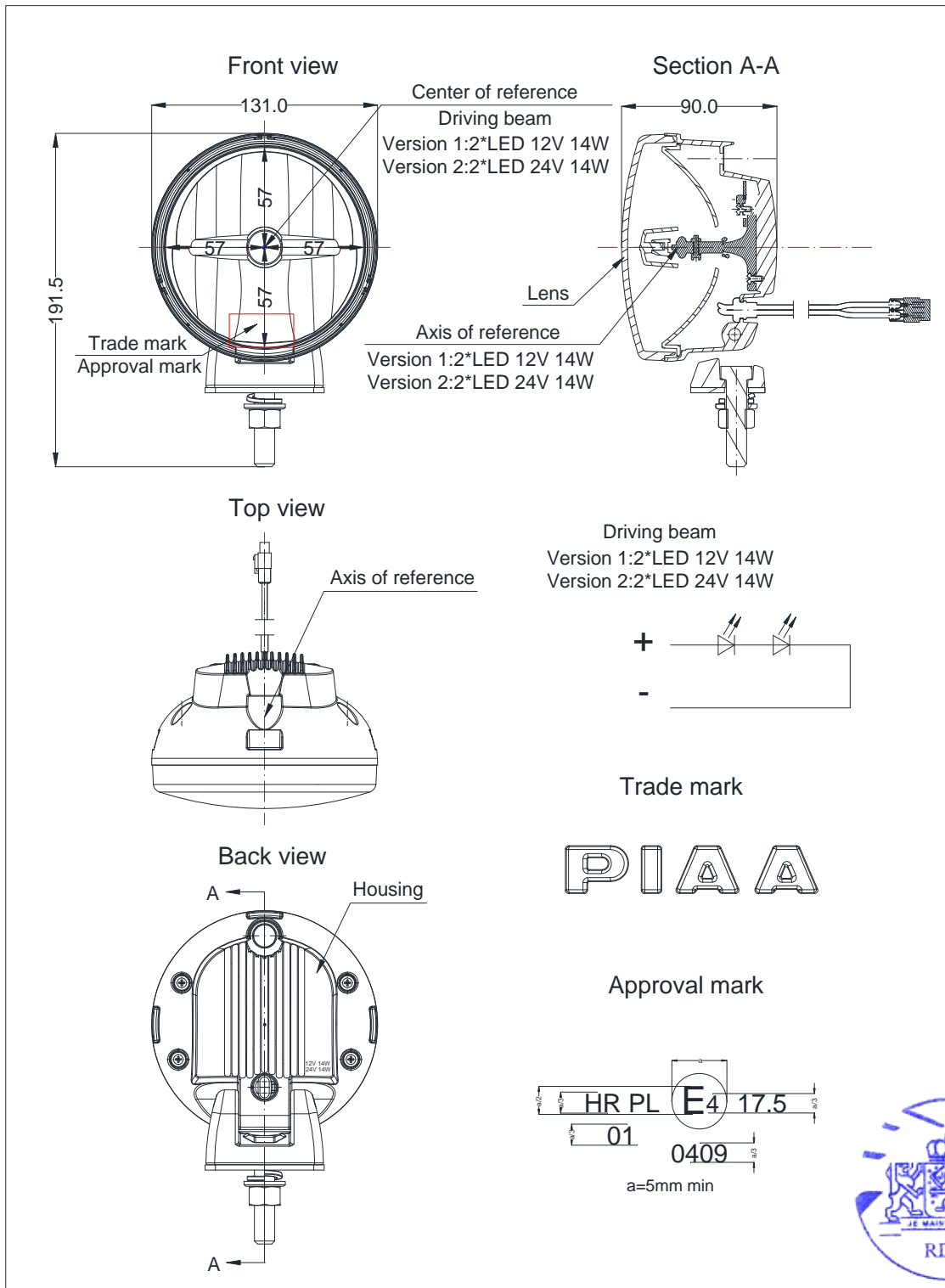
3. Name and address of manufacturer : Wuhu Valeo Automotive Lighting Systems Co., Ltd.
North Fengming Lake Road (South of Longshan Tunnel), Economic and Technological Development Zone, Wuhu City, Anhui Province, P. R. China 241009

4. Name and address of representative : N/A
of manufacturer



Information folder No. : 90048547 (LP550)-00

First application date : September 10, 2013



Product Type	90048547 (LP550)
General assembly drawing	
Drawing No.	90048547 (LP550)-01