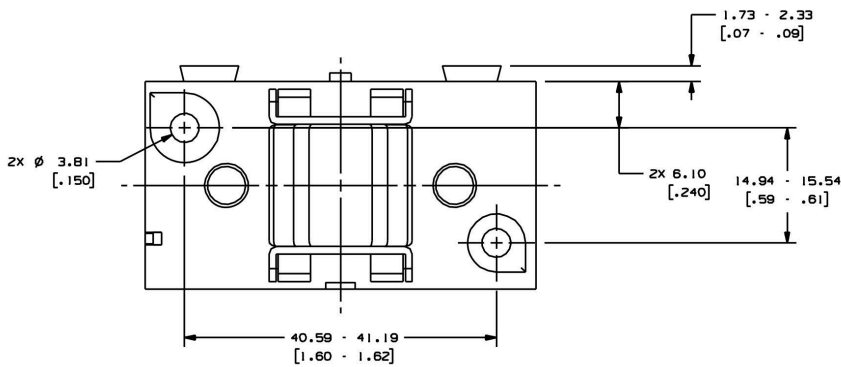
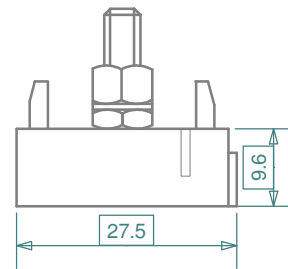
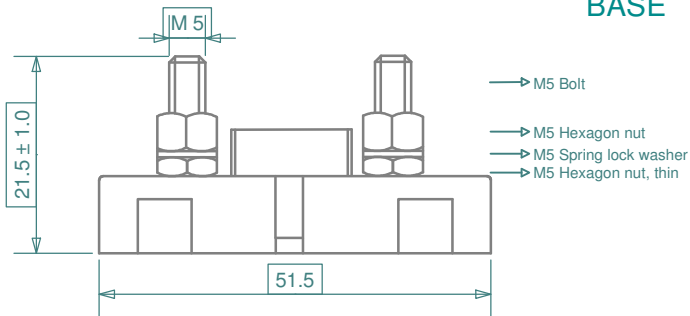


**BASE**



**NOTES:**

- Material PA66 GF, color black
- Two M5 studs, sealed/protected in the mounting plate
- Suited for midiOTO, MSU or MSO type fuses
- Nut mounting torque 2 - 3 Nm

Revisions			Date	Appr.
	Date	Type	Drawn	08/03
b	11/03	added cover skirts	Checked	05/14
c	02/08	re-drawn	Standards	
d	06/10	added cable hole dimensions	Approved	05/14
e	07/11	updated dimensions		AdH
f	05/14	updated dimensions / notes	Scale 1 : 1	



F	Projection	Tolerance ± 0.5 mm unless otherwise noted	Title	HMD1 series, midiOTO fuse holder
			Drawing type	schematic
			Drawing number	HMD1 drawing 1
			Sheet	1 of 1
			Layers / Sheet	0 1 2 3 4 6 8