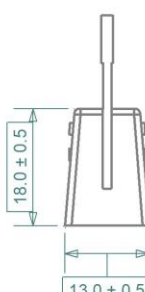
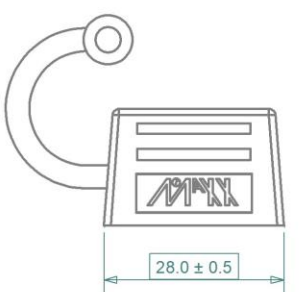
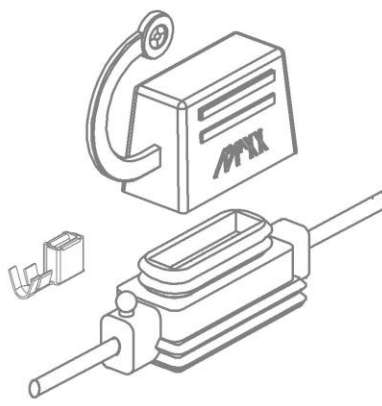
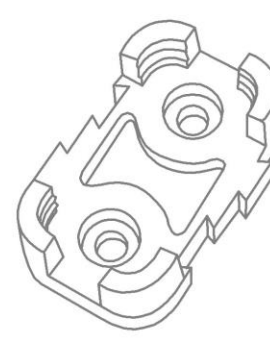
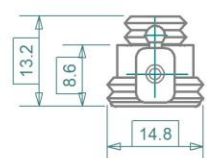
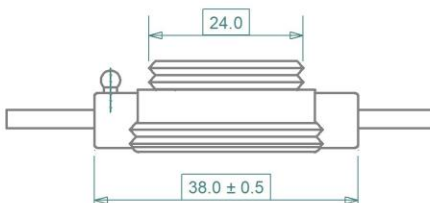
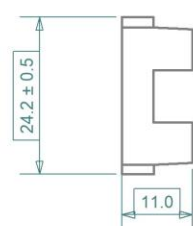
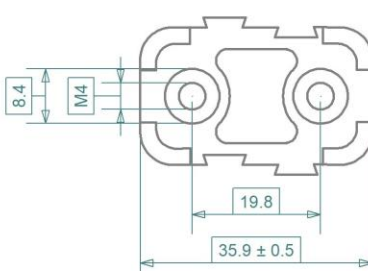



1	2	3	4																																																																
		 <p style="text-align: center; color: green;">3D not to scale</p>																																																																	
																																																																			
																																																																			
<table border="1" style="width: 100%; border-collapse: collapse;"> <thead> <tr> <th>iMaXX ref.</th> <th>Description</th> </tr> </thead> <tbody> <tr> <td>H1325</td> <td>230 ± 10mm cable each side cable 1.5mm<sup>2</sup>, thin wall insulation, black for use with F1500 normOTO series up to 20A</td> </tr> <tr> <td>H1335</td> <td>230 ± 10mm cable each side cable 2.5mm<sup>2</sup>, thin wall insulation, red for use with F1500 normOTO series up to 30A</td> </tr> <tr> <td>H1307</td> <td>Mounting bracket for H1300 series fuse holder</td> </tr> </tbody> </table>		iMaXX ref.	Description	H1325	230 ± 10mm cable each side cable 1.5mm <sup>2</sup> , thin wall insulation, black for use with F1500 normOTO series up to 20A	H1335	230 ± 10mm cable each side cable 2.5mm <sup>2</sup> , thin wall insulation, red for use with F1500 normOTO series up to 30A	H1307	Mounting bracket for H1300 series fuse holder	<table border="1" style="width: 100%; border-collapse: collapse;"> <caption>F1500 series normOTO blade fuse reference table:</caption> <thead> <tr> <th>Rating [ A ]</th> <th>Color</th> <th>Volt [ V ]</th> <th>iMaXX Reference</th> </tr> </thead> <tbody> <tr><td>1</td><td>Black</td><td>32</td><td>F1501</td></tr> <tr><td>2</td><td>Gray</td><td>32</td><td>F1502</td></tr> <tr><td>3</td><td>Violet</td><td>32</td><td>F1503</td></tr> <tr><td>4</td><td>Pink</td><td>32</td><td>F1504</td></tr> <tr><td>5</td><td>Tan</td><td>32</td><td>F1505</td></tr> <tr><td>7.5</td><td>Brown</td><td>32</td><td>F1575</td></tr> <tr><td>10</td><td>Red</td><td>32</td><td>F1510</td></tr> <tr><td>15</td><td>Blue</td><td>32</td><td>F1515</td></tr> <tr><td>20</td><td>Yellow</td><td>32</td><td>F1520</td></tr> <tr><td>25</td><td>Natural</td><td>32</td><td>F1525</td></tr> <tr><td>30</td><td>Green</td><td>32</td><td>F1530</td></tr> <tr><td>35</td><td>Dark green</td><td>32</td><td>F1535</td></tr> <tr><td>40</td><td>Orange</td><td>32</td><td>F1540</td></tr> </tbody> </table>		Rating [ A ]	Color	Volt [ V ]	iMaXX Reference	1	Black	32	F1501	2	Gray	32	F1502	3	Violet	32	F1503	4	Pink	32	F1504	5	Tan	32	F1505	7.5	Brown	32	F1575	10	Red	32	F1510	15	Blue	32	F1515	20	Yellow	32	F1520	25	Natural	32	F1525	30	Green	32	F1530	35	Dark green	32	F1535	40	Orange	32	F1540
iMaXX ref.	Description																																																																		
H1325	230 ± 10mm cable each side cable 1.5mm <sup>2</sup> , thin wall insulation, black for use with F1500 normOTO series up to 20A																																																																		
H1335	230 ± 10mm cable each side cable 2.5mm <sup>2</sup> , thin wall insulation, red for use with F1500 normOTO series up to 30A																																																																		
H1307	Mounting bracket for H1300 series fuse holder																																																																		
Rating [ A ]	Color	Volt [ V ]	iMaXX Reference																																																																
1	Black	32	F1501																																																																
2	Gray	32	F1502																																																																
3	Violet	32	F1503																																																																
4	Pink	32	F1504																																																																
5	Tan	32	F1505																																																																
7.5	Brown	32	F1575																																																																
10	Red	32	F1510																																																																
15	Blue	32	F1515																																																																
20	Yellow	32	F1520																																																																
25	Natural	32	F1525																																																																
30	Green	32	F1530																																																																
35	Dark green	32	F1535																																																																
40	Orange	32	F1540																																																																
<table border="1" style="width: 100%; border-collapse: collapse;"> <thead> <tr> <th colspan="2">NOTES</th> </tr> </thead> <tbody> <tr> <td colspan="2">Cover can be attached using tether to:</td> </tr> <tr> <td colspan="2">1. cable (prior to installation): slip ring around cable</td> </tr> <tr> <td colspan="2">2. fuse holder body: press ring over ball joint</td> </tr> <tr> <td colspan="2">Materials:</td> </tr> <tr> <td colspan="2">Body: PUR black, UL94-V0</td> </tr> <tr> <td colspan="2">Cover: Forprene black, UL94-V0</td> </tr> <tr> <td colspan="2">Contacts: CuZn33, Sn plated , box type</td> </tr> <tr> <td colspan="2">Bracket: PA66 GF30 black, UL94-V0</td> </tr> </tbody> </table>		NOTES		Cover can be attached using tether to:		1. cable (prior to installation): slip ring around cable		2. fuse holder body: press ring over ball joint		Materials:		Body: PUR black, UL94-V0		Cover: Forprene black, UL94-V0		Contacts: CuZn33, Sn plated , box type		Bracket: PA66 GF30 black, UL94-V0																																																	
NOTES																																																																			
Cover can be attached using tether to:																																																																			
1. cable (prior to installation): slip ring around cable																																																																			
2. fuse holder body: press ring over ball joint																																																																			
Materials:																																																																			
Body: PUR black, UL94-V0																																																																			
Cover: Forprene black, UL94-V0																																																																			
Contacts: CuZn33, Sn plated , box type																																																																			
Bracket: PA66 GF30 black, UL94-V0																																																																			
<table border="1" style="width: 100%; border-collapse: collapse;"> <thead> <tr> <th colspan="2">Revisions</th> <th>Drawn</th> <th>Date</th> <th>Appr.</th> </tr> </thead> <tbody> <tr> <td>a</td> <td>10/05 re-designed body and contacts</td> <td>Checked</td> <td>04/21</td> <td>BE</td> </tr> <tr> <td>b</td> <td>08/07 re-drawn</td> <td>Standards</td> <td></td> <td></td> </tr> <tr> <td>c</td> <td>11/08 add cable length, tolerance</td> <td>Approved</td> <td>04/21</td> <td>AdH</td> </tr> <tr> <td>d</td> <td>06/13 updated tables and notes</td> <td></td> <td></td> <td></td> </tr> <tr> <td>e</td> <td>12/13 updated dimensions</td> <td>Scale 1 : 1</td> <td></td> <td></td> </tr> <tr> <td>f</td> <td>04/21 added H1307 bracket</td> <td>Projection</td> <td></td> <td></td> </tr> <tr> <td>g</td> <td>10/22 updated contact material</td> <td>Tolerance ± 0.2 mm unless otherwise noted</td> <td></td> <td></td> </tr> </tbody> </table>		Revisions		Drawn	Date	Appr.	a	10/05 re-designed body and contacts	Checked	04/21	BE	b	08/07 re-drawn	Standards			c	11/08 add cable length, tolerance	Approved	04/21	AdH	d	06/13 updated tables and notes				e	12/13 updated dimensions	Scale 1 : 1			f	04/21 added H1307 bracket	Projection			g	10/22 updated contact material	Tolerance ± 0.2 mm unless otherwise noted																												
Revisions		Drawn	Date	Appr.																																																															
a	10/05 re-designed body and contacts	Checked	04/21	BE																																																															
b	08/07 re-drawn	Standards																																																																	
c	11/08 add cable length, tolerance	Approved	04/21	AdH																																																															
d	06/13 updated tables and notes																																																																		
e	12/13 updated dimensions	Scale 1 : 1																																																																	
f	04/21 added H1307 bracket	Projection																																																																	
g	10/22 updated contact material	Tolerance ± 0.2 mm unless otherwise noted																																																																	
		<table border="1" style="width: 100%; border-collapse: collapse;"> <tr> <td>Title</td> <td>H1325/H1335 series normOTO fuse holder</td> </tr> <tr> <td>Drawing type</td> <td>schematic</td> </tr> <tr> <td>Drawing number</td> <td>H1325/H1335 drawing 1</td> </tr> <tr> <td>Sheet</td> <td>1 of 1</td> </tr> <tr> <td>Layers / Sheet</td> <td>0 1 2 6 8 9 11 Sheet 01</td> </tr> </table>		Title	H1325/H1335 series normOTO fuse holder	Drawing type	schematic	Drawing number	H1325/H1335 drawing 1	Sheet	1 of 1	Layers / Sheet	0 1 2 6 8 9 11 Sheet 01																																																						
Title	H1325/H1335 series normOTO fuse holder																																																																		
Drawing type	schematic																																																																		
Drawing number	H1325/H1335 drawing 1																																																																		
Sheet	1 of 1																																																																		
Layers / Sheet	0 1 2 6 8 9 11 Sheet 01																																																																		
1	2	3	4																																																																