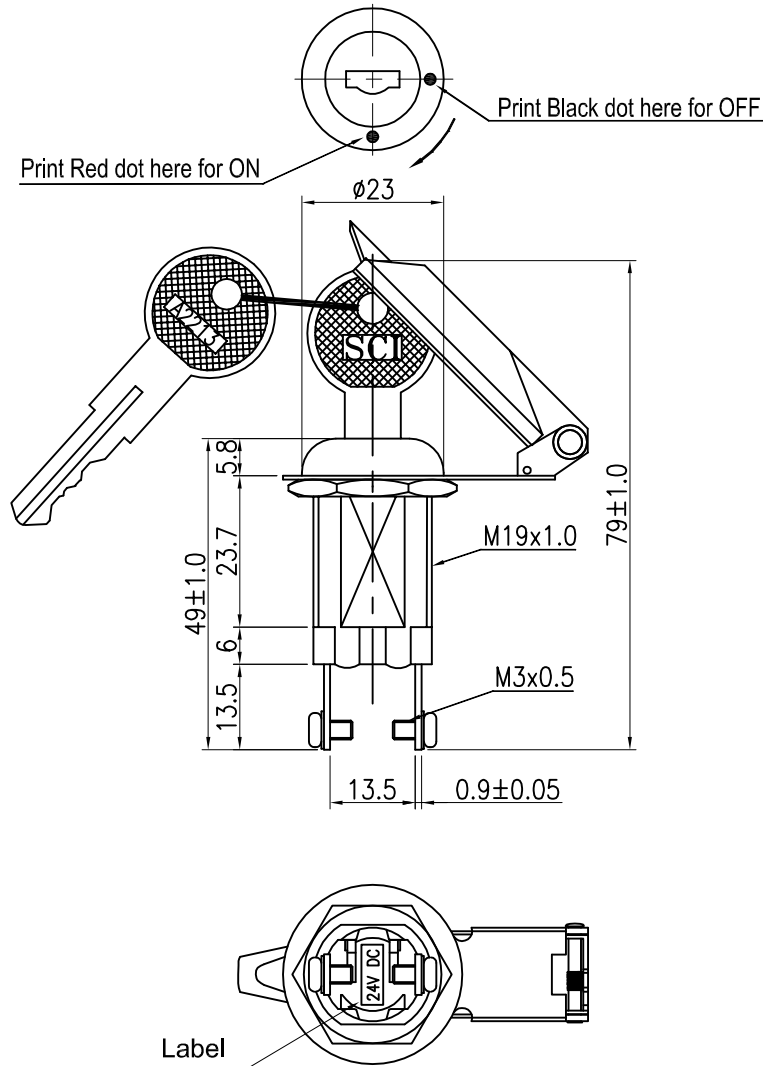


Rating	10A 12V/24V DC		
Contact Resistance	50m ohm Max.		
Insulation Resistance	DC 500V 100M ohm Min.		
Dielectric Strength	AC 1000V 1 minute		
Switch Function	2P SPST ON-OFF		

Material:  
Housing: ZDC1  
Cover: ZDC1



- NOTES:
- 1.For CEI
  - 2.Single key code A2213 to be marked on the key.
  - 3.Tolerances Unless Otherwise Specified  $\pm 0.5$

A4

								△
								△
Date	Name	Description					No.	
Drawn	Checked	Approved	SCI BOM No.	Model Name		KEY SWITCH		
邱 權	Zhong	楊金江	Customer No.	Model No.		K3-16B-06		
02/12/11	02/12/11	02/12/11	Unit	mm				Rev. X0