

# 90mm LED Headlight - Model 93

## PRODUCT INFORMATION

---

<b>Description</b>	12-24V DOT/ECE R112 RHT 5-in-1 Headlight
<b>Height</b>	90.00 mm / 3.54 in
<b>Width</b>	90.00 mm / 3.54 in
<b>Depth</b>	126.04 mm / 4.96 in
<b>Shape</b>	Round
<b>Outer Lens Material</b>	Polycarbonate
<b>Outer Lens Color</b>	Clear
<b>Housing Material</b>	Aluminum
<b>Housing Color</b>	Black
<b>Bezel Color</b>	N/A
<b>Minimum Operating Temperature</b>	-40 °C / -40 °F
<b>Maximum Operating Temperature</b>	65 °C / 149 °F
<b>Mating Connector</b>	Deutsch DT06-6S
<b>Product Weight</b>	1.18 lbs / 0.54 kgs
<b>Shipping Weight</b>	1.34 lbs / 0.61 kgs



---

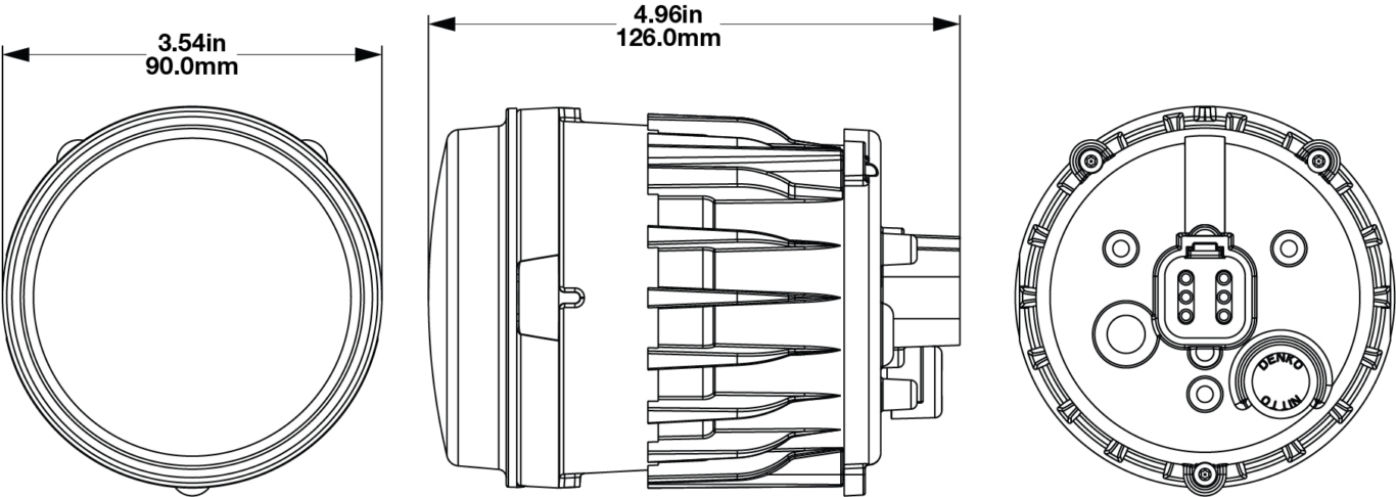
**Print date: 2022-12-08**

© 2022 J.W. Speaker Corporation • Germantown, WI U.S.A.  
www.jwspeaker.com • speaker@jwspeaker.com • 262.251.6660

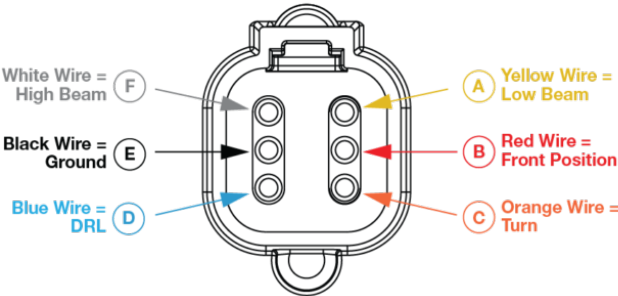
**J.W. SPEAKER**   
Engineered. Lighting. Solutions.

# 90mm LED Headlight - Model 93

## PRODUCT DIMENSIONS



### Pin Out Diagram & Wiring Information



Print date: 2022-12-08

© 2022 J.W. Speaker Corporation • Germantown, WI U.S.A.  
www.jwspeaker.com • speaker@jwspeaker.com • 262.251.6660



# 90mm LED Headlight - Model 93

## ELECTRICAL SPECIFICATIONS

---

<b>Input Voltage</b>	12-24V DC
<b>Operating Voltage</b>	9-30V DC
<b>Transient Spike Protection</b>	150V Peak @ 1 HZ-100 Pulses
<b>Yellow Wire</b>	Low Beam
<b>Red Wire</b>	Front Position
<b>Orange Wire</b>	DI
<b>Blue Wire</b>	DRL
<b>Black Wire</b>	Ground
<b>White Wire</b>	High Beam
<b>Current Draw</b>	1.35A @ 12V DC (Low Beam) 1.96A @ 12V DC (High Beam) 0.111A @ 12V DC (Front Position) 1.33A @ 12V DC (DRL) 1.11A @ 12V DC (DI) 0.701A @ 24V DC (Low Beam) 1.03A @ 24V DC (High Beam) 0.071A @ 24V DC (Front Position) 0.700A @ 24V DC (DRL) 0.591A @ 24V DC (DI)

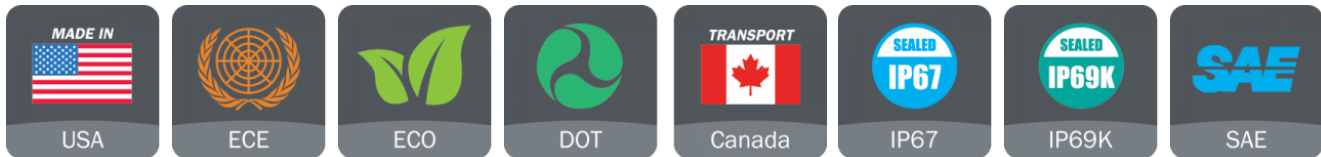
---

**Print date: 2022-12-08**

© 2022 J.W. Speaker Corporation • Germantown, WI U.S.A.  
www.jwspeaker.com • speaker@jwspeaker.com • 262.251.6660

# 90mm LED Headlight - Model 93

## REGULATORY STANDARDS COMPLIANCE



Buy America Standards	ECE Reg 10
ECE Reg 148 - 1b	ECE Reg 148 - A
ECE Reg 148 - RL	ECE Reg 149 - HC
ECE Reg 149 - R	Eco Friendly
FMVSS 108 s10.1 (Table XIX)	FMVSS 108 s10.1 (Table XVIII)
FMVSS 108 s7.1 (Table VI)	IEC IP67
IEC IP69K	SAE J2087
SAE J222	SAE J588
Tested to ECE Reg. 10 (Radiated Emissions only)	

Print date: 2022-12-08

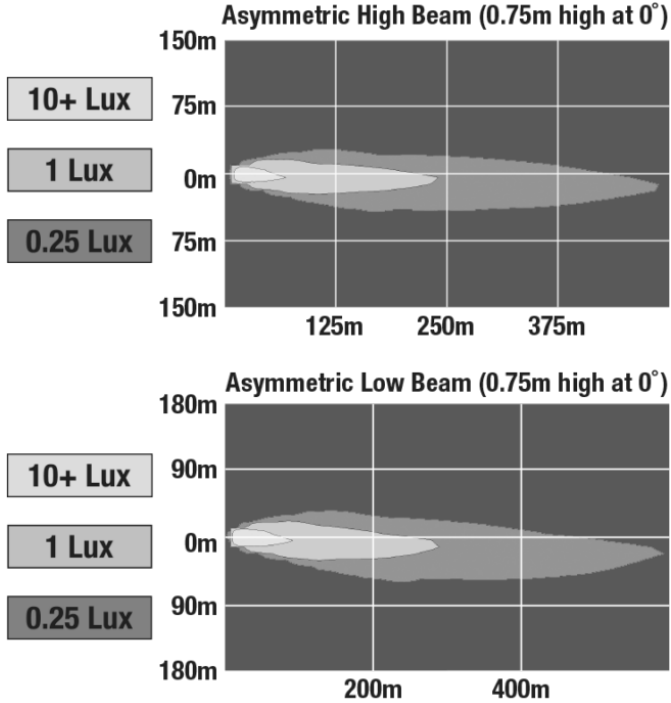
© 2022 J.W. Speaker Corporation • Germantown, WI U.S.A.  
www.jwspeaker.com • speaker@jwspeaker.com • 262.251.6660

**J.W. SPEAKER**   
Engineered. Lighting. Solutions.

# 90mm LED Headlight - Model 93

## PHOTOMETRIC SPECIFICATIONS

<b>Raw Lumen Output</b>	1827(High Beam), 1325(Low Beam)
<b>Effective Lumen Output</b>	683(High Beam), 495(Low Beam)
<b>Candela Output</b>	44,000(High Beam), 23,000(Low Beam)
<b>Nominal LED Color Temperature</b>	5665 K
<b>Beam Pattern(s)</b>	Forward Lighting - Daytime Running Light Forward Lighting - High Beam (DOT/ECE) Forward Lighting - Low Beam (DOT) Forward Lighting - Low Beam (ECE Right Hand) Signalization - Front Position Signalization - Turn (Front)



## APPLICATIONS



Print date: 2022-12-08

© 2022 J.W. Speaker Corporation • Germantown, WI U.S.A.  
www.jwspeaker.com • speaker@jwspeaker.com • 262.251.6660



# 90mm LED Headlight - Model 93

## ADDITIONAL INFORMATION

---

3-point Mount for 1.5mm Mounting Frame is applicable for

- PN 0554381
- PN 0553071
- PN 0553091
- PN 0553101
- PN 0553081
- PN 0556701
- PN 0347941

3-point Mount for 3mm Mounting Frame is applicable for

- All Model 93 Lighting Options

## PRODUCT WARNINGS

---

For California residents:

**⚠ WARNING:** Cancer and reproductive harm - [www.P65Warnings.ca.gov](http://www.P65Warnings.ca.gov).

**⚠ AVERTISSEMENT:** Cancer et effet nocif sur la reproduction - [www.P65Warnings.ca.gov](http://www.P65Warnings.ca.gov).

---

**Print date: 2022-12-08**

© 2022 J.W. Speaker Corporation • Germantown, WI U.S.A.  
www.jwspeaker.com • speaker@jwspeaker.com • 262.251.6660

**J.W. SPEAKER®**  
*Engineered. Lighting. Solutions.* 

# 90mm LED Headlight - Model 93

## ACCESSORIES



**Part Number**  
**8001211**  
Motorcycle Bar Mount  
Kit with Wiring  
Harness, Large



**Part Number**  
**8001221**  
Motorcycle Bar Mount  
Kit with Wiring  
Harness, Small



**Part Number**  
**8001461**  
90mm Light 3-Point  
Mount for 1.5mm  
Mounting Frame



**Part Number**  
**8001471**  
90mm Light 3-Point  
Mount for 3mm  
Mounting Frame



**Part Number**  
**8001601**  
Pedestal Mounting  
Bracket for Model 93  
Single Lamp



**Part Number**  
**8001621**  
Pedestal Mounting  
Bracket for Model 93  
Double Lamp



**Part Number**  
**0700001**  
Motorcycle Bar Mount  
Kit, 20-24mm



**Part Number**  
**0700011**  
Motorcycle Bar Mount  
Kit, 25-29mm

# 90mm LED Headlight - Model 93

## RELATED PRODUCTS

---



**Part Number**  
**0347941**  
12-24V SAE/ECE LED  
Turn Signal with DRL  
Function



**Part Number**  
**0553071**  
12-24V DOT/ECE LED  
High Beam Headlight



**Part Number**  
**0553081**  
12-24V DOT/ECE Reg  
113 LED Low Beam  
Headlight



**Part Number**  
**0553091**  
12-24V ECE Reg 112  
LHT LED Low Beam  
Headlight



**Part Number**  
**0553101**  
12-24V DOT/ECE Reg  
112 RHT LED Low  
Beam Headlight



**Part Number**  
**0554381**  
12-24V DOT/ECE LED  
High Beam Headlight  
with Front Position



**Part Number**  
**0556701**  
12-24V SAE/ECE LED  
Fog Light



**Part Number**  
**0560372**  
12-24V DOT/ECE R112  
RHT 5-in-1 Headlight -  
(Bulk Qty. x16 lights)