

LED Headlights – Model 8630 Evolution

PRODUCT INFORMATION

Description	12-24V DOT/ECE LED RHT High & Low Beam Headlight with FP & DRL
Height	142.24 mm / 5.6 in
Width	142.24 mm / 5.6 in
Depth	86.36 mm / 3.4 in
Shape	Round
Outer Lens Material	Polycarbonate
Outer Lens Color	Clear
Housing Material	Die Cast Aluminum
Housing Color	Black
Bezel Color	N/A
Minimum Operating Temperature	-34 °C / -29.2 °F
Maximum Operating Temperature	49 °C / 120.2 °F
Connector or Wiring	Integral Connector in Housing simulating Delphi 12124107
Mating Connector	Delphi 12052848
Product Weight	1.86 lbs / 0.84 kgs
Shipping Weight	2.89 lbs / 1.31 kgs
Additional Information	Class B Light



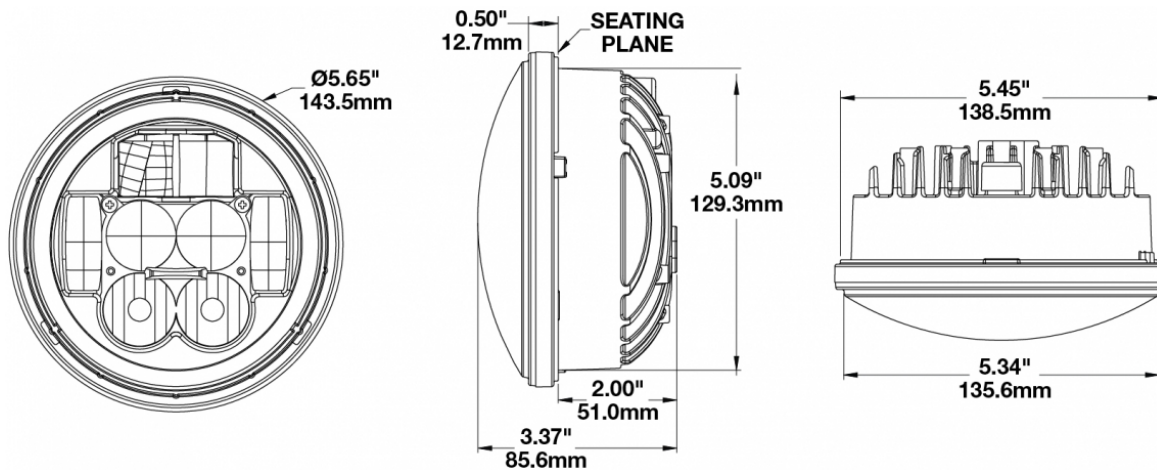
Print date: 2021-06-03

© 2021 J.W. Speaker Corporation • Germantown, WI U.S.A.
 www.jwspeaker.com • speaker@jwspeaker.com • 262.251.6660

J.W. SPEAKER 
 Engineered. Lighting. Solutions.

LED Headlights – Model 8630 Evolution

PRODUCT DIMENSIONS



ELECTRICAL SPECIFICATIONS

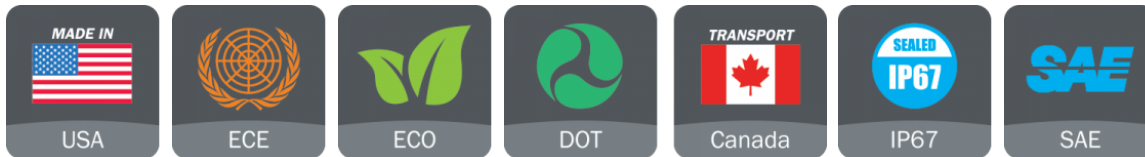
Input Voltage	12-24V DC
Operating Voltage	10-32V DC
Transient Spike Protection	150V Peak @ 1 HZ-100 Pulses
Yellow Wire	Low Beam
White Wire	High Beam
Black Wire	Ground
Red Wire	Front Position
Purple Wire	DRL
Current Draw	2.20A @ 12V DC (Low Beam)
	1.70A @ 14V DC (Low Beam)
	1.10A @ 24V DC (Low Beam)
	3.50A @ 12V DC (High Beam)
	2.70A @ 14V DC (High Beam)
	1.70A @ 24V DC (High Beam)
	0.09A @ 12V DC (Front Position)
	0.07A @ 14V DC (Front Position)
	0.04A @ 24V DC (Front Position)
	0.90A @ 12V DC (DRL)
	0.68A @ 14V DC (DRL)
	0.38A @ 24V DC (DRL)

Print date: 2021-06-03

© 2021 J.W. Speaker Corporation • Germantown, WI U.S.A.
 www.jwspeaker.com • speaker@jwspeaker.com • 262.251.6660

LED Headlights – Model 8630 Evolution

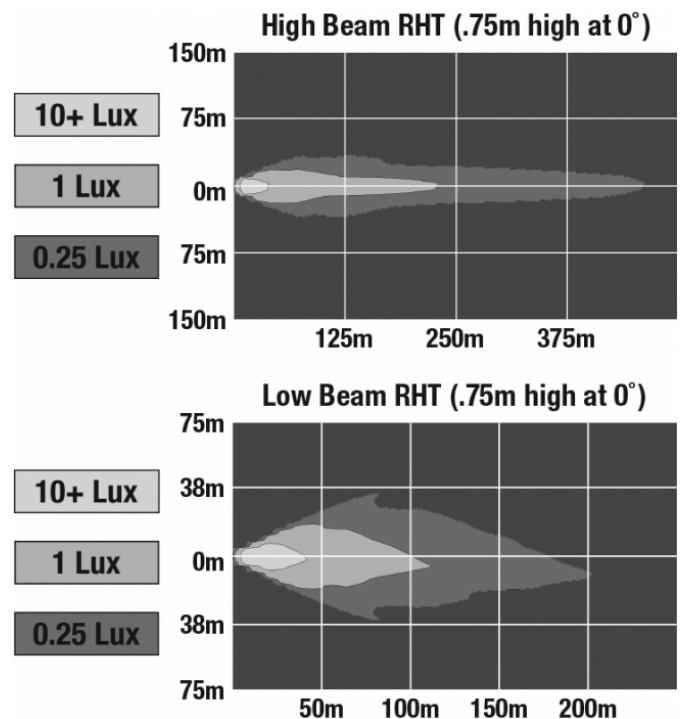
REGULATORY STANDARDS COMPLIANCE



Buy America Standards	ECE Reg 10
ECE Reg 112	ECE Reg 7
ECE Reg 87	Eco Friendly
FMVSS 108 s10.1 (Table XIX)	FMVSS 108 s10.1 (Table XVIII)
IEC IP67	SAE J2087
SAE J222	

PHOTOMETRIC SPECIFICATIONS

Raw Lumen Output	2,925 (High Beam); 2,025 (Low Beam)
Effective Lumen Output	1,000 (High Beam); 630 (Low Beam)
Candela Output	61,684 (High Beam); 19,162 (Low Beam)
Nominal LED Color Temperature	5000 K
Beam Pattern(s)	Forward Lighting - Daytime Running Light Forward Lighting - High Beam (DOT/ECE) Forward Lighting - Low Beam (DOT) Forward Lighting - Low Beam (ECE Right Hand) Signalization - Front Position



Print date: 2021-06-03

© 2021 J.W. Speaker Corporation • Germantown, WI U.S.A.
www.jwspeaker.com • speaker@jwspeaker.com • 262.251.6660

LED Headlights – Model 8630 Evolution

APPLICATIONS



PRODUCT WARNINGS

For California residents:

⚠ WARNING: Cancer and reproductive harm - www.P65Warnings.ca.gov.

⚠ AVERTISSEMENT: Cancer et effet nocif sur la reproduction - www.P65Warnings.ca.gov.

ACCESSORIES



Part Number
3157751

Double Ring Kit
Mounting Assembly for
LED Headlight Model
8630



Part Number
8200001

Single Ring Kit
Mounting Assembly for
LED Headlight Model
8630



Part Number
8200071

Mounting Ring Kit for
5.75" Round (PAR46)
Headlights - PIERCE

LED Headlights – Model 8630 Evolution

RELATED PRODUCTS



Part Number
0549921

12-24V ECE LED LHT
High & Low Beam
Headlight with FP &
DRL



Part Number
0550921

12-24V DOT LED High
& Low Beam Headlight