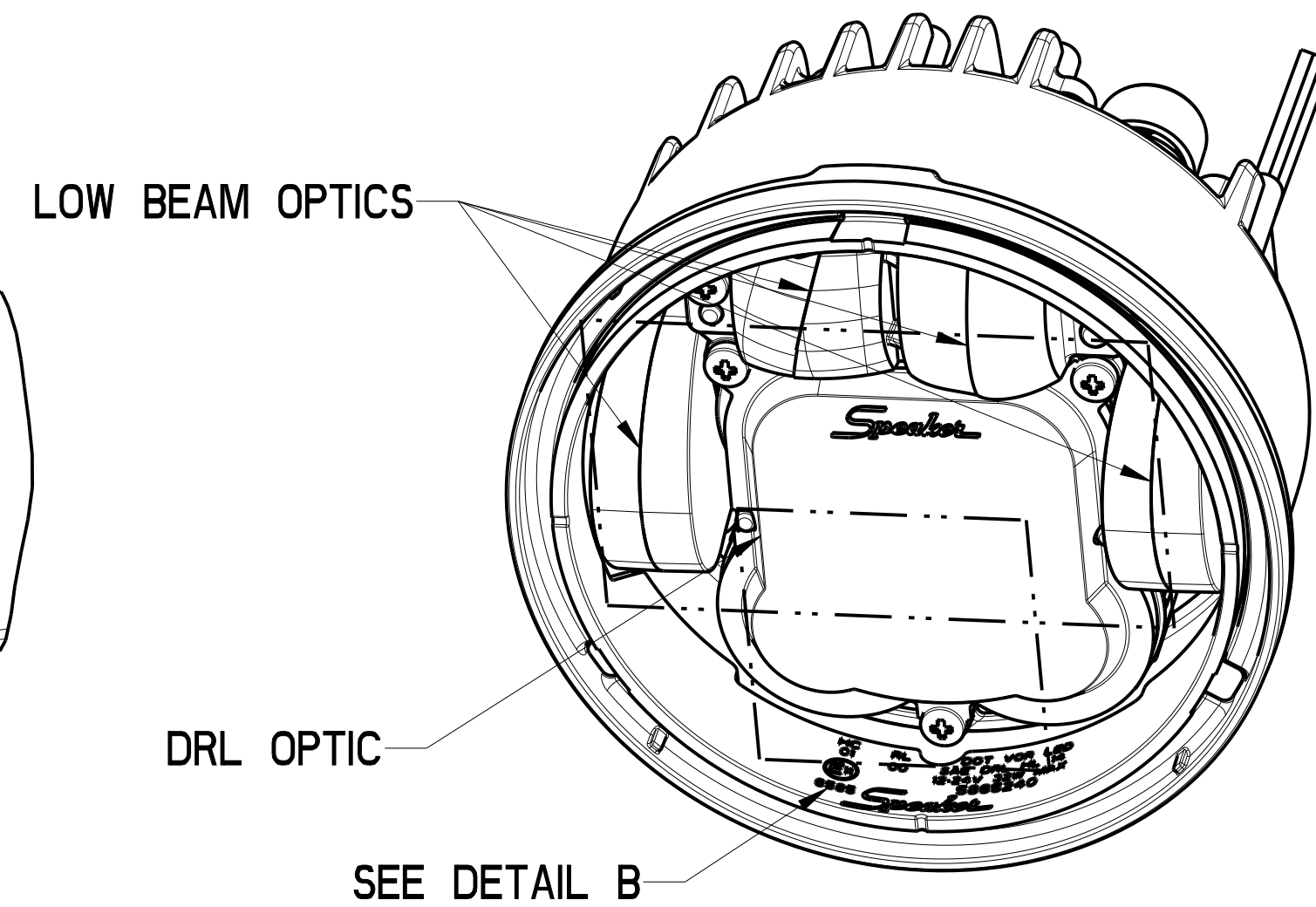
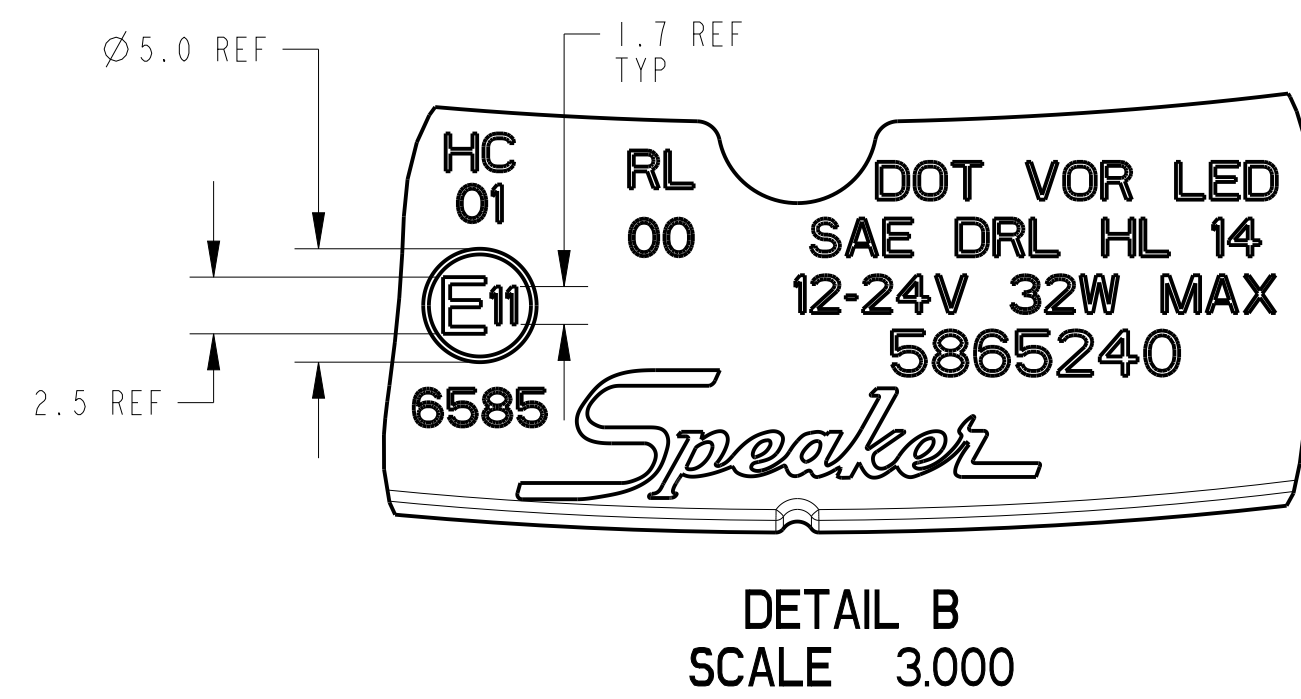
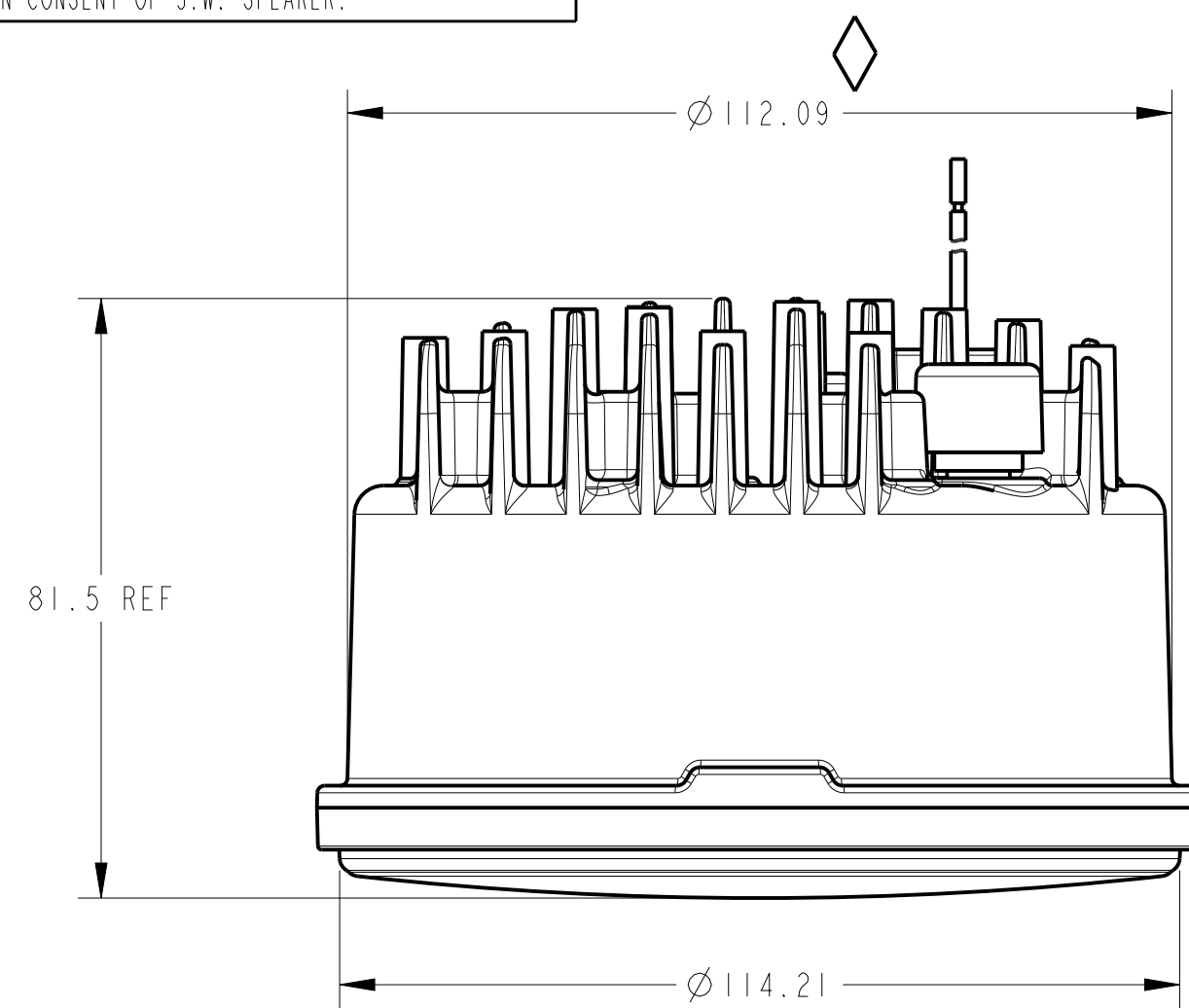
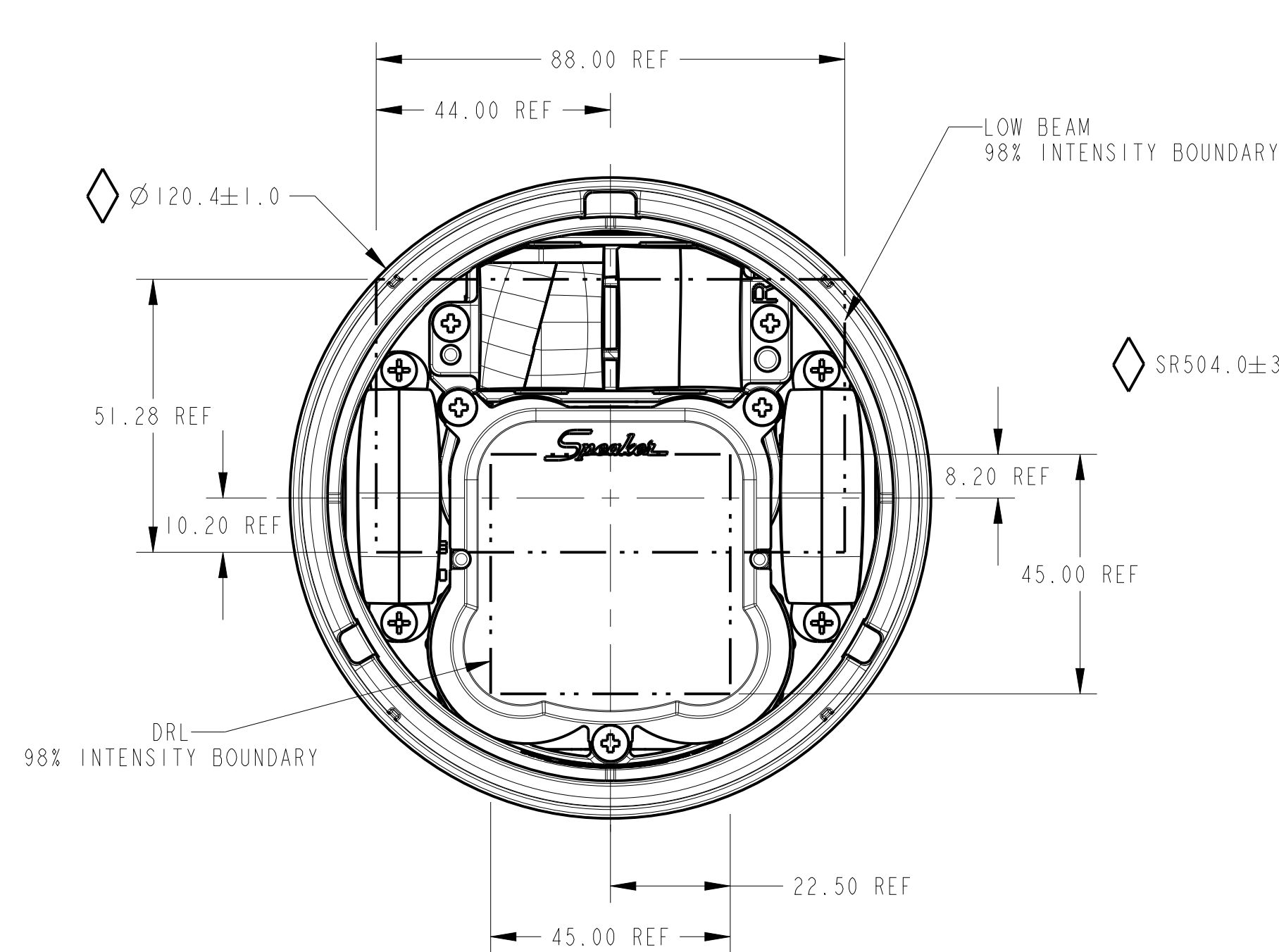
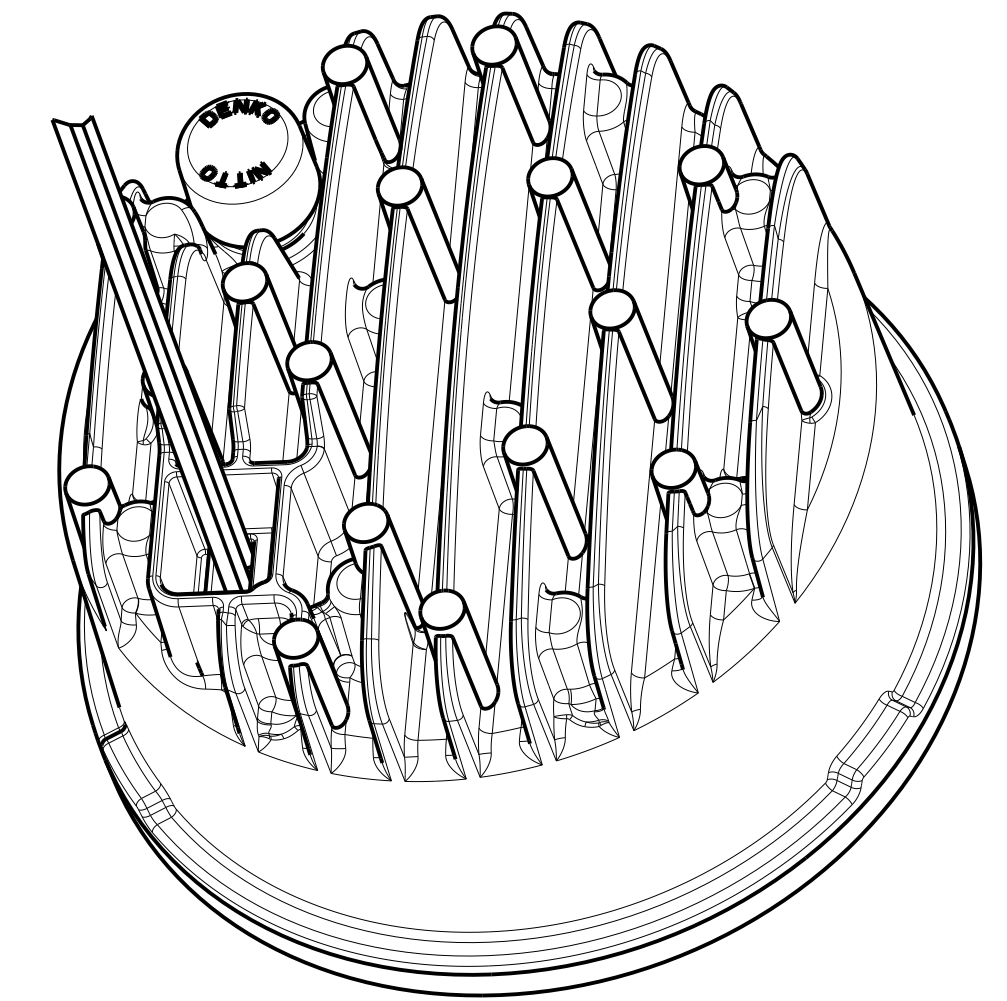


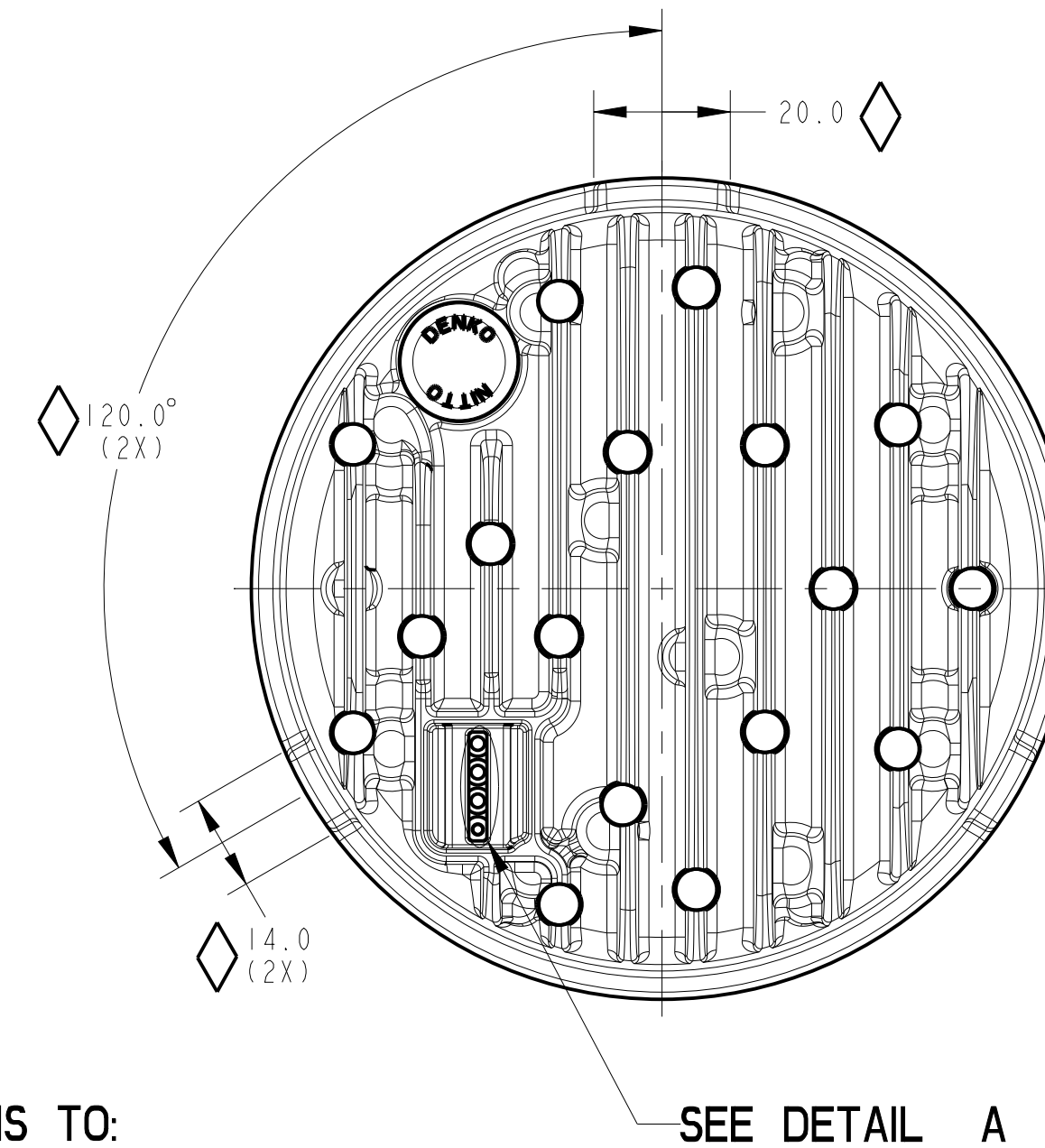
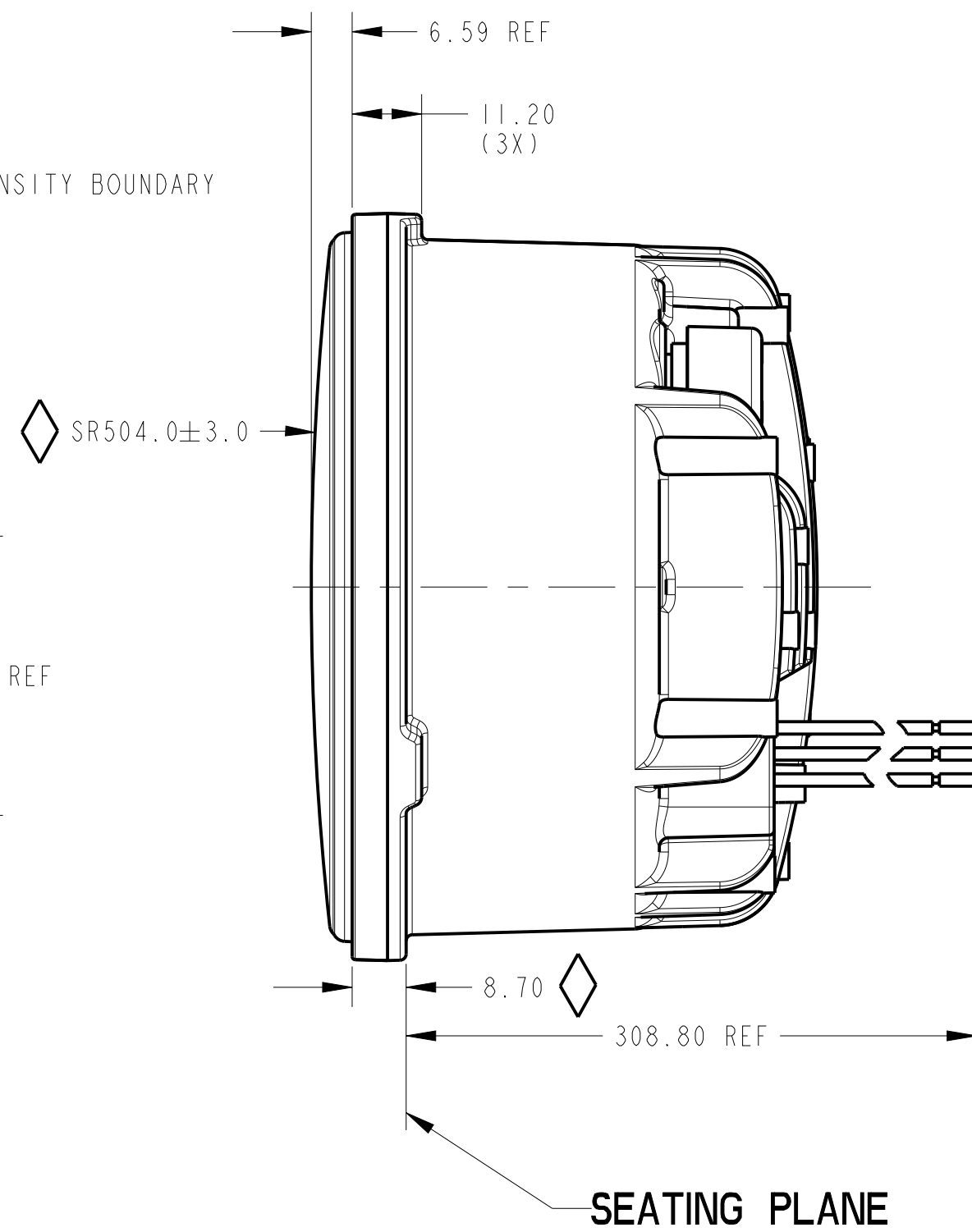
RESTRICTED CONFIDENTIAL DOCUMENT
 THIS DRAWING AND ALL INFORMATION SHOWN HEREON ARE THE EXCLUSIVE PROPERTY OF J.W. SPEAKER AND ARE SUBMITTED ONLY ON A CONFIDENTIAL BASIS. THE RECIPIENT AGREES NOT TO REPRODUCE THE DRAWING, TO RETURN IT UPON REQUEST, AND THAT NO DISCLOSURE OF THE DRAWING OR THE INFORMATION SHOWN HEREON WILL BE MADE TO A THIRD PARTY WITHOUT THE PRIOR WRITTEN CONSENT OF J.W. SPEAKER.



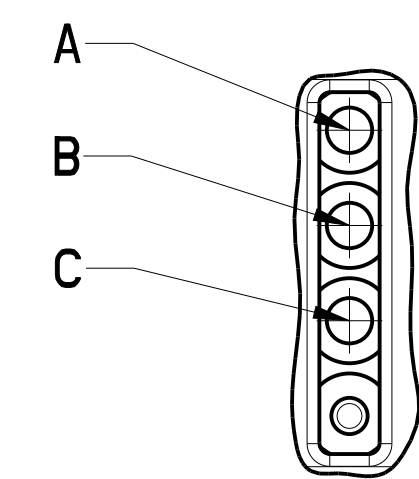
OUTER GLASS LENS OMITTED FOR CLARITY



OUTER GLASS LENS OMITTED FOR CLARITY



LOCATION	WIRE	FUNCTION
A	BLACK	GROUND
B	YELLOW	DRL
C	WHITE	LOW BEAM



DETAIL A
SCALE 3.000

- LAMP CONFORMS TO:
- PHOTOMETRY
 - FMVSS/CMVSS 108 LB4V LOW BEAM
 - ECE REG 112 CLASS B RHT PASSING BEAM
 - ECE REG 87 DRL BEAM
 - LAMP SEAL RATING
 - IEC 60529 IP67
 - ELECTRICAL SPECIFICATIONS
 - NOMINAL VOLTAGE: 12-24V, OPERATING VOLTAGE 10-30V
 - CURRENT DRAW
 - LOW BEAM: 2.07A AT 12VDC, 0.96A AT 24VDC
 - DRL: 0.44A AT 12VDC, 0.24A AT 24VDC
 - JWS PRODUCT STANDARD
 - ON-HIGHWAY VEHICLE
 - ADDITIONAL SPECIFICATIONS
 - JWS MODEL 6130
 - 1690 LUMENS RAW OUTPUT, 640 LUMENS EFFECTIVE OUTPUT

PART NUMBER	UNLESS OTHERWISE SPECIFIED TOLERANCE ON		J.W. SPEAKER CORP.	
	DECIMALS OF A MM	ANGLES	GERMANTOWN	WISCONSIN
0549851	.XX ± .50	.XXX ± .250	MATERIAL - MANUFACTURED	SHEET 1 OF 2
	DIM. IN () ARE IN. SCALE: 1.000			TITLE: 6130-12/24V HL SAE ECE RHT LB
DRAWN BY: M. NAGEL		DATE: 05-May-14	REV. E	
CREATED ON: PRO ENGINEER			DWG. NO. D 0549850	