

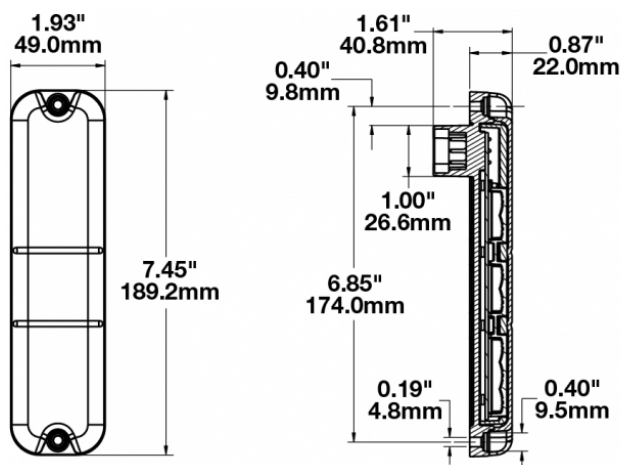
LED Stop, Tail, Turn & Backup Lights - Model 280

PRODUCT INFORMATION

Description	12V LED Stop, Tail, Turn Signal & Backup Light
Height	189.23 mm / 7.45 in
Width	49.00 mm / 1.93 in
Depth	22.10 mm / 0.87 in
Shape	Rectangular
Outer Lens Material	Acrylic
Outer Lens Color	Clear
Housing Material	ABS
Housing Color	Black
Mounting Type	Low Profile Mount
Minimum Operating Temperature	-40 °C / -40 °F
Maximum Operating Temperature	65 °C / 149 °F
Connector or Wiring	Wire Harness with Bare Leads
Product Weight	0.28 lbs / 0.13 kgs
Shipping Weight	0.75 lbs / 0.34 kgs



PRODUCT DIMENSIONS



Print date: 2020-08-31

© 2020 J.W. Speaker Corporation • Germantown, WI U.S.A.
www.jwspeaker.com • speaker@jwspeaker.com • 262.251.6660

LED Stop, Tail, Turn & Backup Lights - Model 280

ELECTRICAL SPECIFICATIONS

Input Voltage	12V DC
Operating Voltage	9-16V DC
Current Draw	0.105A @ 12V DC (Stop) 0.020A @ 12V DC (Tail) 0.105A @ 12V DC (Turn) 0.090A @ 12V DC (Backup)

REGULATORY STANDARDS COMPLIANCE

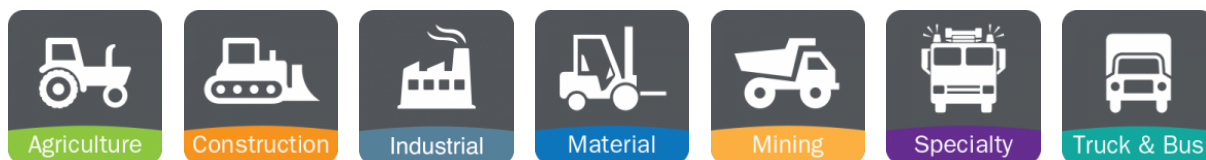


Buy America Standards	Eco Friendly
IEC IP66	SAE J1455
SAE J1889	SAE J575
UL Recognized	

PHOTOMETRIC SPECIFICATIONS

Beam Pattern(s)	Signalization - Stop Signalization - Tail Signalization - Turn (Front) Signalization - Turn (Rear)
------------------------	---

APPLICATIONS



Print date: 2020-08-31

© 2020 J.W. Speaker Corporation • Germantown, WI U.S.A.
www.jwspeaker.com • speaker@jwspeaker.com • 262.251.6660

J.W. SPEAKER
Engineered. Lighting. Solutions.

LED Stop, Tail, Turn & Backup Lights - Model 280

PRODUCT WARNINGS

For California residents:

⚠ **WARNING:** Cancer and reproductive harm - www.P65Warnings.ca.gov.

⚠ **AVERTISSEMENT:** Cancer et effet nocif sur la reproduction - www.P65Warnings.ca.gov.

Print date: 2020-08-31

© 2020 J.W. Speaker Corporation • Germantown, WI U.S.A.

www.jwspeaker.com • speaker@jwspeaker.com • 262.251.6660

J.W. SPEAKER® 
Engineered. Lighting. Solutions.