

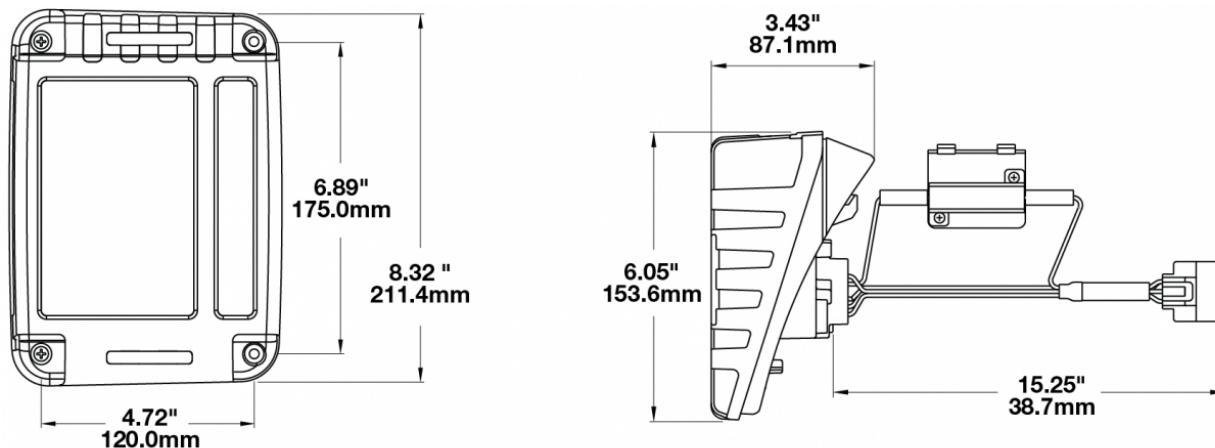
LED Tail Lights - Model 279 J Series

PRODUCT INFORMATION

Description	12-24V ECE LED Jeep Tail Light Kit - 2 Light Kit
Height	210.31 mm / 8.28 in
Width	153.67 mm / 6.05 in
Depth	87.12 mm / 3.43 in
Shape	Rectangular
Outer Lens Material	Acrylic
Outer Lens Color	Clear
Housing Material	Polycarbonate
Housing Color	Black
Bezel Color	Black
Mounting Hardware Description	(x4) #8-16 x 2 Pan Head, Self Tapping Plastite Screw
Connector or Wiring	YAZAKI 7282-5553-30
Mating Connector	YAZAKI 7287-2779-30
Product Weight	6.40 lbs / 2.9 kgs
Shipping Weight	5.80 lbs / 2.63 kgs



PRODUCT DIMENSIONS



Print date: 2020-09-11

© 2020 J.W. Speaker Corporation • Germantown, WI U.S.A.
 www.jwspeaker.com • speaker@jwspeaker.com • 262.251.6660

LED Tail Lights - Model 279 J Series

ELECTRICAL SPECIFICATIONS

Input Voltage	12-24V DC
Operating Voltage	9-32V DC
Black Wire	Ground
Purple Wire	Tail
Yellow Wire	Turn
Green Wire	Reverse
Red Wire	Stop
Current Draw	0.082A @ 12V DC (Tail) 0.082A @ 24V DC (Tail) 0.253A @ 12V DC (Stop) 0.138A @ 24V DC (Stop) 0.321A @ 12V DC (Turn) 0.168A @ 24V DC (Turn) 0.134A @ 12V DC (Reverse) 0.100A @ 24V DC (Reverse)

REGULATORY STANDARDS COMPLIANCE



Buy America Standards	ECE Reg 23
ECE Reg 3	ECE Reg 6
ECE Reg 7	ECE Reg 91
Eco Friendly	IEC IP67

PHOTOMETRIC SPECIFICATIONS

Beam Pattern(s)	Signalization - Stop Signalization - Tail Signalization - Turn (Rear)
------------------------	---

Print date: 2020-09-11

© 2020 J.W. Speaker Corporation • Germantown, WI U.S.A.
www.jwspeaker.com • speaker@jwspeaker.com • 262.251.6660

LED Tail Lights - Model 279 J Series

APPLICATIONS



PRODUCT WARNINGS

For California residents:

⚠ WARNING: Cancer and reproductive harm - www.P65Warnings.ca.gov.

⚠ AVERTISSEMENT: Cancer et effet nocif sur la reproduction - www.P65Warnings.ca.gov.

RELATED PRODUCTS



Part Number

0347531

12-24V DOT LED Jeep
Tail Light Kit - 2 Light
Kit