

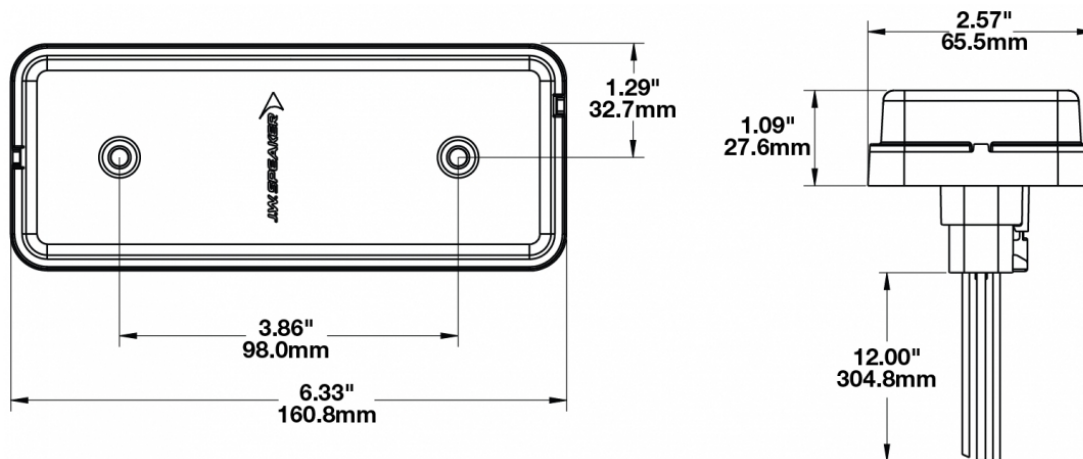
LED Signal Lights - Model 221

PRODUCT INFORMATION

Description	12-24V ECE LED Front Position & Front Turn Signal Light
Height	160.78 mm / 6.33 in
Width	66.04 mm / 2.6 in
Depth	27.94 mm / 1.1 in
Shape	Rectangle
Outer Lens Material	Polycarbonate
Outer Lens Color	Clear
Housing Material	Polycarbonate
Housing Color	Black
Mounting Type	Panel Mount
Minimum Operating Temperature	-40 °C / -40 °F
Maximum Operating Temperature	65 °C / 149 °F
Connector or Wiring	Integral DT04-6P
Mating Connector	DT06-6S
Product Weight	0.39 lbs / 0.18 kgs
Shipping Weight	0.50 lbs / 0.23 kgs



PRODUCT DIMENSIONS



Print date: 2021-11-02

© 2021 J.W. Speaker Corporation • Germantown, WI U.S.A.
 www.jwspeaker.com • speaker@jwspeaker.com • 262.251.6660

J.W. SPEAKER
 Engineered. Lighting. Solutions.

LED Signal Lights - Model 221

ELECTRICAL SPECIFICATIONS

Input Voltage	12-24V DC
Operating Voltage	6-32V DC
Transient Spike Protection	150V Peak @ 1 HZ-100 Pulses
Black Wire	Ground
White Wire	Front Position
Tellow Wire	Turn
Current Draw	1.42A @ 12V DC (Turn) 0.71A @ 24V DC (Turn) 0.10A @ 12V DC (Position) 0.05A @ 24V DC (Position)

REGULATORY STANDARDS COMPLIANCE



Buy America Standards
ECE Reg 7
IEC IP67

ECE Reg 6
Eco Friendly

PHOTOMETRIC SPECIFICATIONS

Beam Pattern(s)	Signalization - Front Position Signalization - Turn (Front)
------------------------	--

Print date: 2021-11-02

© 2021 J.W. Speaker Corporation • Germantown, WI U.S.A.
www.jwspeaker.com • speaker@jwspeaker.com • 262.251.6660

LED Signal Lights - Model 221

APPLICATIONS



PRODUCT WARNINGS

For California residents:

⚠ WARNING: Cancer and reproductive harm - www.P65Warnings.ca.gov.

⚠ AVERTISSEMENT: Cancer et effet nocif sur la reproduction - www.P65Warnings.ca.gov.