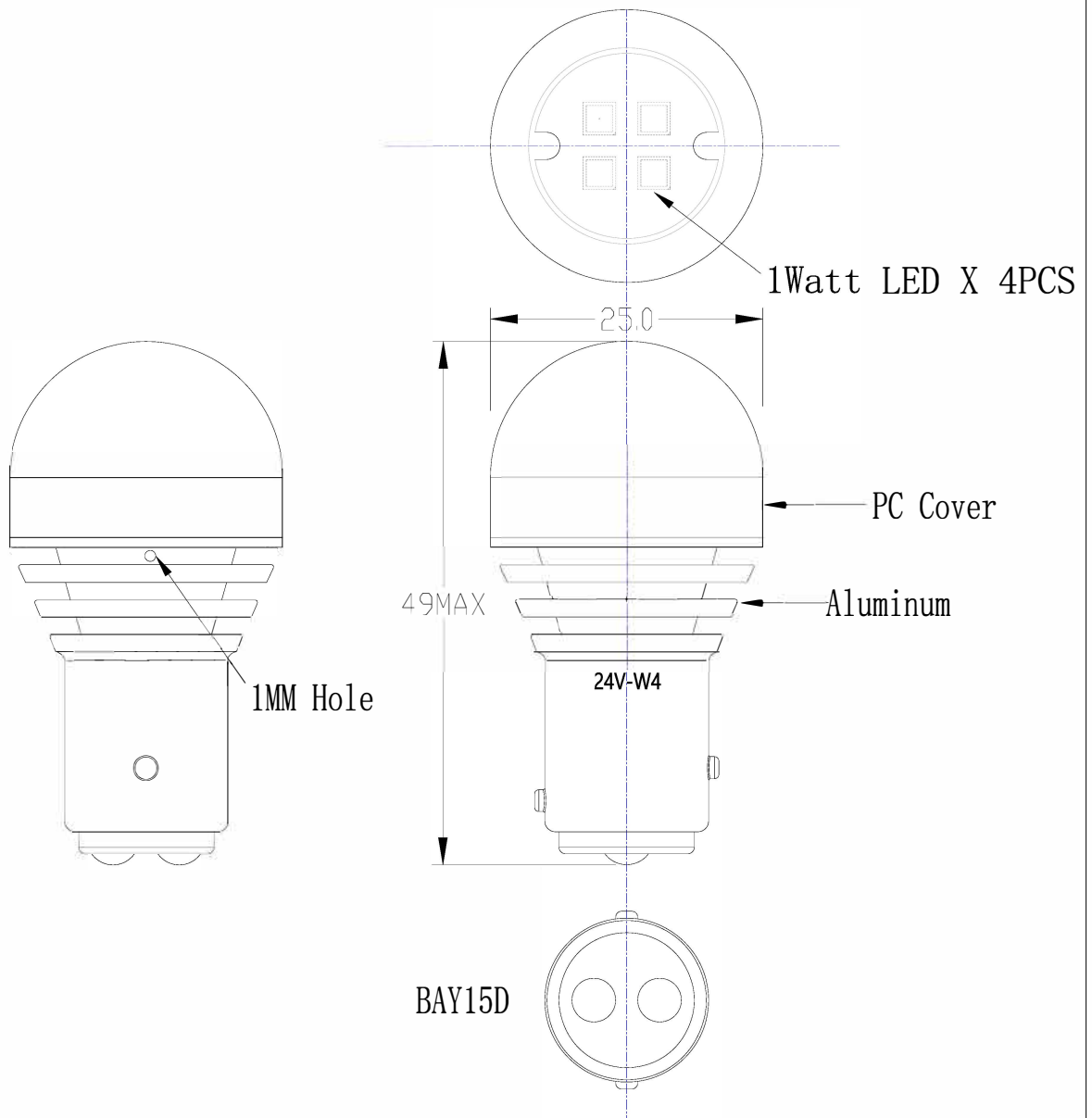


Product Information sheet
1157 BAY15D DC24V 3.6W/0.5W WHITE
nonpolarity

NO:
2015/07/



Stop and tail

Part no.:HL395NW42-2

1157 3D WHITE DC24V3.6W/0.5W
 nonpolarity

Cap: BAY15d

CE: none

ECE R37: none

DOT: none

all dimensions in mm

	Photometric values	
Test voltage	30.0V DC nonpolarity	
Current	120 mA ±15%	
	15 mA ±20%	
POWER	3.6 W ±15%	
	0.45 W ±20%	
Luminous flux	330 lm ±20%	
	50 lm ±20%	
Color temperature	7000-10000 K	
Light Distribution	300° Wide angle	