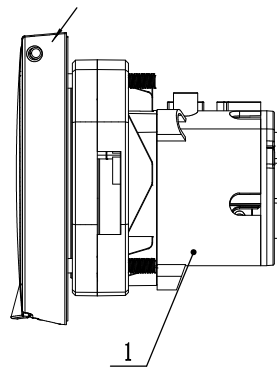
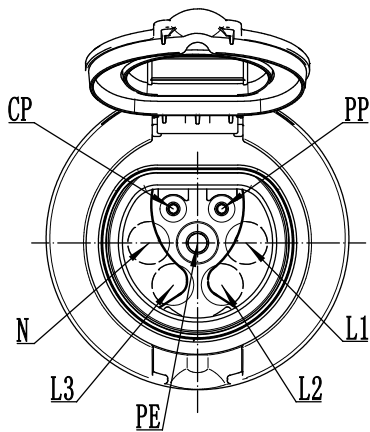
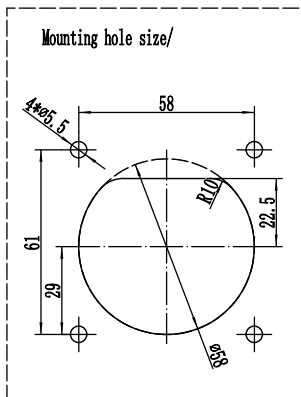
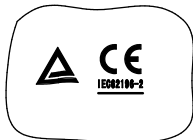
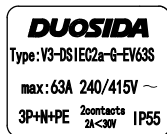


Customer Name/
Customer approval/

Unit/ mm

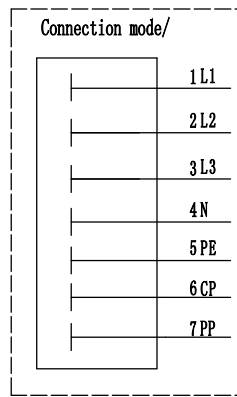


Product label/



Wire configuration table/

Function 功能	Wire Size 线规	REMARKS 备注
L1	16 mm ²	Empty terminal/空端子
L2	16 mm ²	Empty terminal/空端子
L3	16 mm ²	Empty terminal/空端子
N	16 mm ²	Empty terminal/空端子
PE	16 mm ²	Empty terminal/空端子
CP	0.75 mm ²	Empty terminal/空端子
PP	0.75 mm ²	Empty terminal/空端子



The main parameters/

Rated current/ : 63A
 Operating voltage/ : 240/415V AC
 Insulation resistance/ : >100MΩ (DC500V)
 Contact resistance/ : 0.5 mΩ Max
 Withstand voltage/ : 2000V
 Plastic shell fire rating/ : UL94 V-0
 Coupled insertion force/ : 45N<F<80N
 Protection class/ : IP55(Ⅰ)
 Housing/ : Thermoplastic
 Conductor/ : Copper alloy, silver-plated surface
 Working environment temperature/Ⅰ : -30℃ to +50℃

