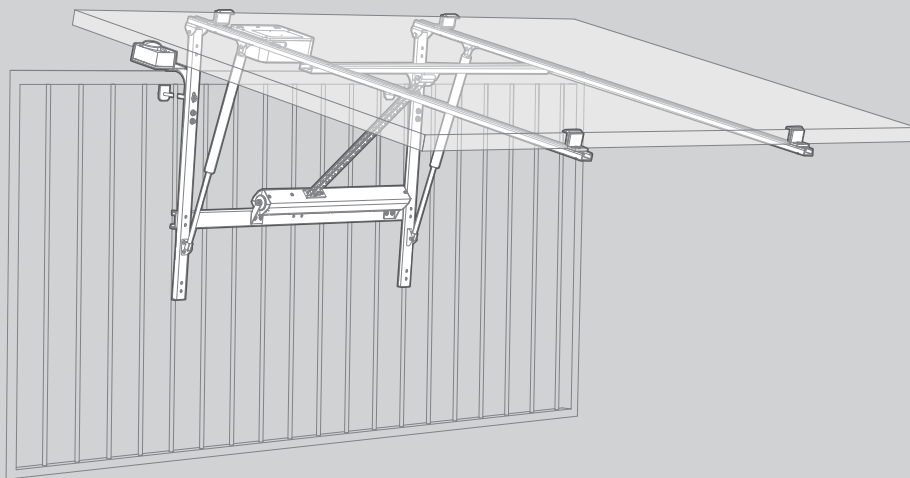


Single Axis Solar Tracker



IMPORTANT

- For details, please scan the QR code or visit <https://www.ecoflow.com/support/download>



Partial steps should be finished by at least 2 people.



What's in the Box

Lieferumfang / Contenu de la boîte / Contenuto della confezione / Contenido de la caja / In de doos Комплектация / 제품 구성 / 包装清单 / 箱内容

A1 × 2



1285mm/50.6in

A2 × 2



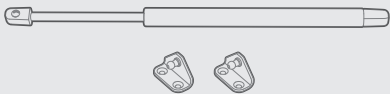
820mm/32.3in

A3 × 2



650mm/25.6in

A4 × 2



A5 × 2

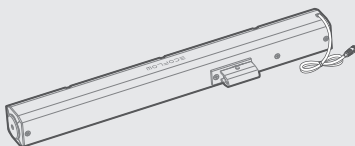


500mm/19.7in

A6 × 5



B × 1



C1 × 2



C2 × 1



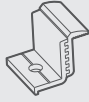
C3 × 1



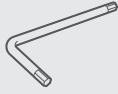
C4 ×1



C5 ×4



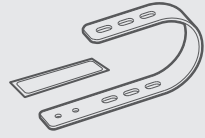
C6 ×1



C7 ×1



D1 ×2



D2 ×2



D3 ×2



D4 ×1



6000mm/
236.2in

E1 ×15



M6

E2 ×27



M6

E3 ×2



E4 ×42



M6

E5 ×40



F1 ×1



F2 ×2



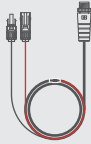
F3 ×5



F4 ×5



G1 ×1

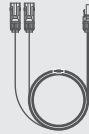


G2 ×1



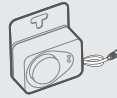
M/FF

G3 ×1

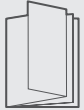


F/MM

H ×1

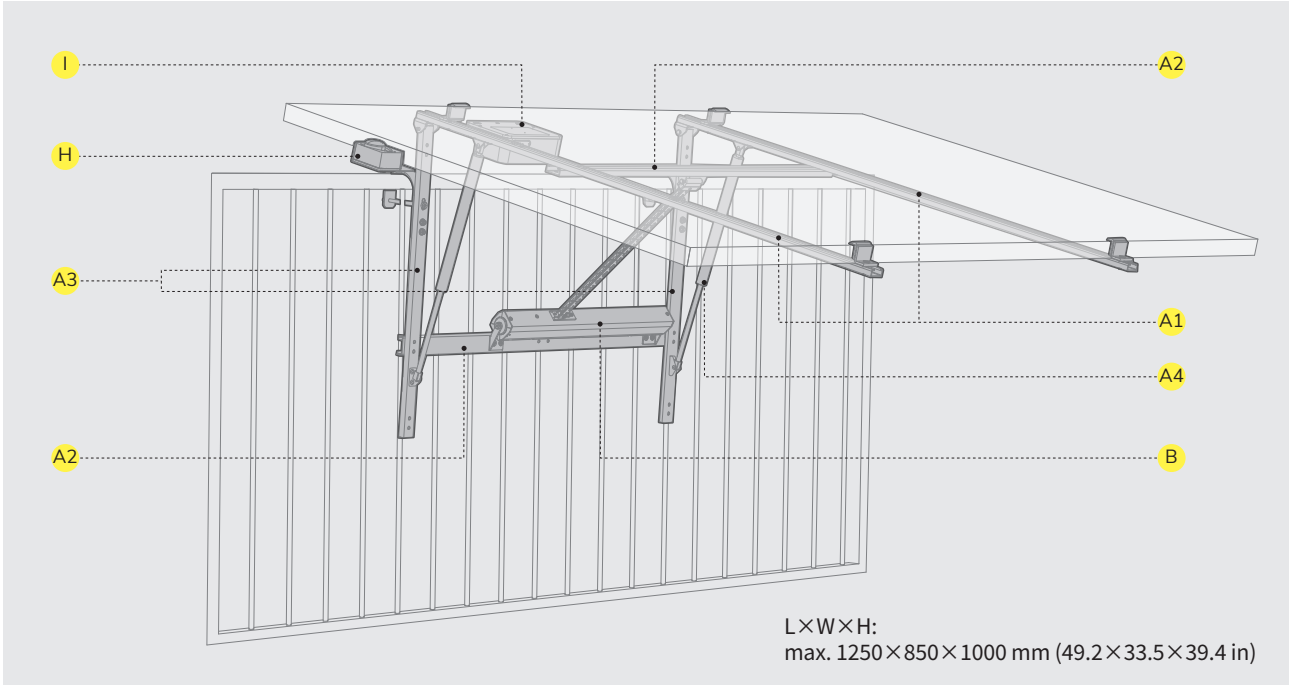


I ×1

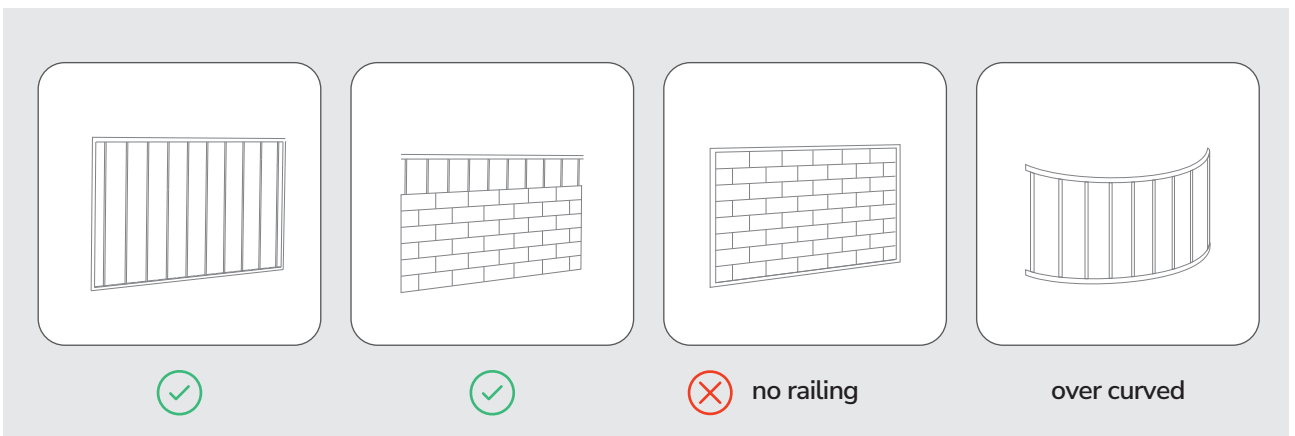
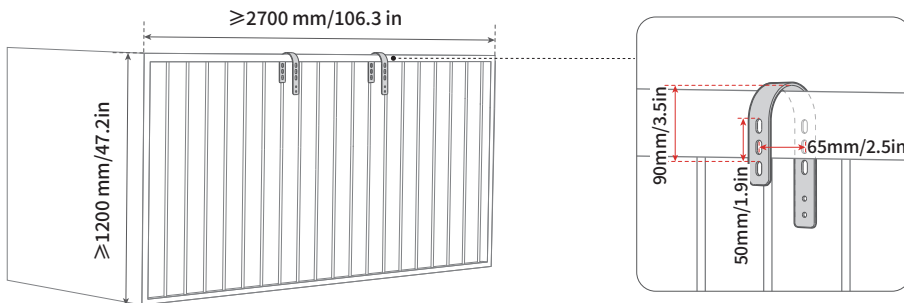


Product Details

Produktdetails / Détails du produit / Dettagli sul prodotto / Detalles del producto / Productgegevens / Описание устройства / 제품 개요 / 产品细节 / 產品細節



Applicable balcony types



Install the brackets A-B

Halterungen A-B montieren / Installez les supports A-B / Montare le staffe A-B / Coloque los soportes A-B / Beugels A en B monteren / Установите кронштейны A-B / 브래킷 A-B 설치 / 安裝支架 (A-B) / 安裝支架 A-B

1

A1  x2


A3  x2

C1  x2

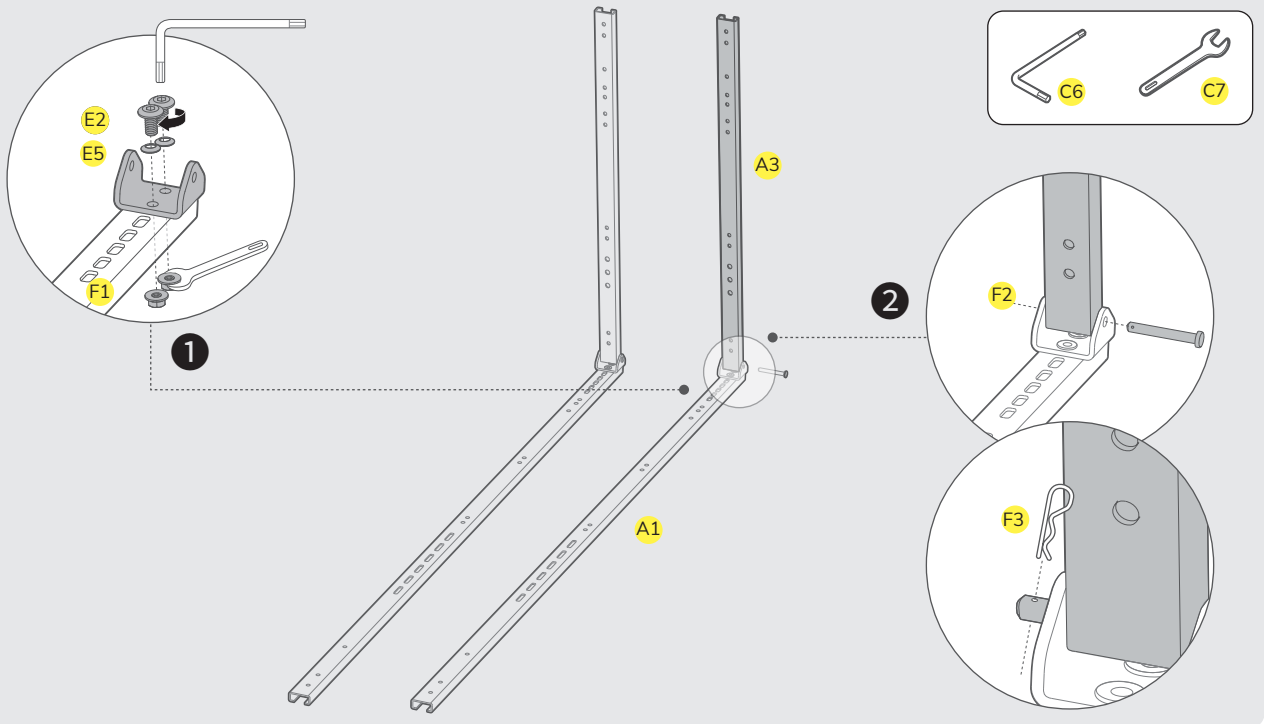
E2  x4

E5  x4

F1  x4

F2  x2

F3  x2



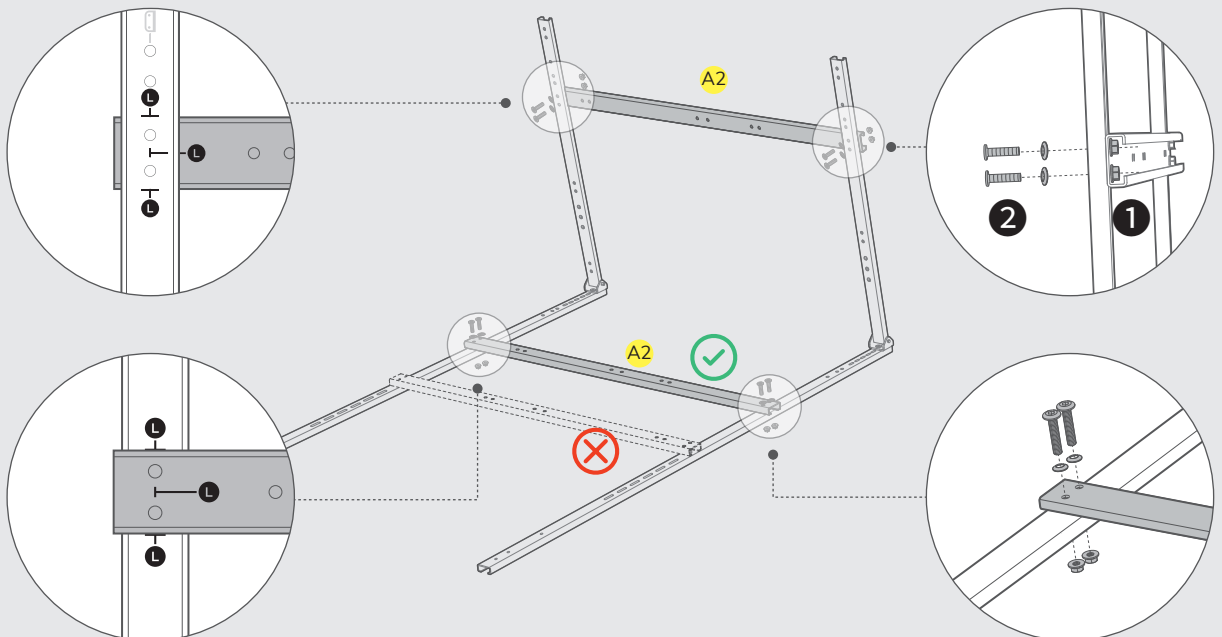
2

A2  x2

E1  x8

E5  x8

E4  x8



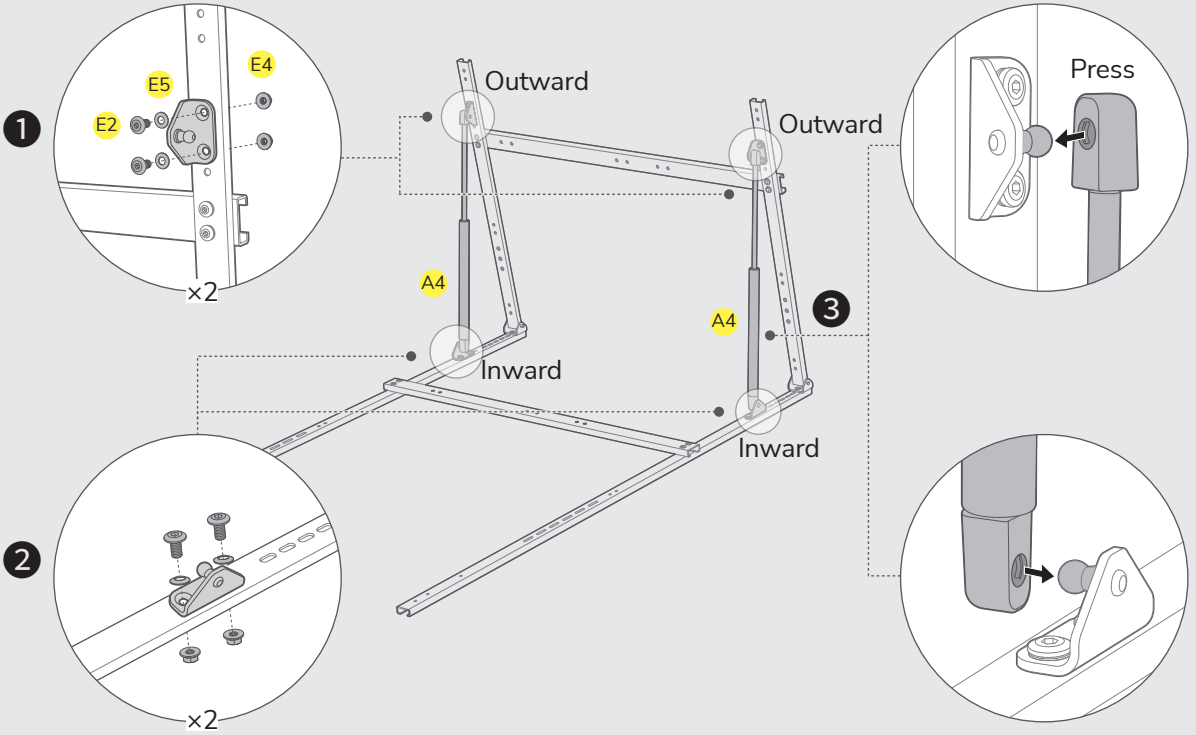
3

A4  x2

E2  x8

E5  x8

E4  x8



4

C2  x1

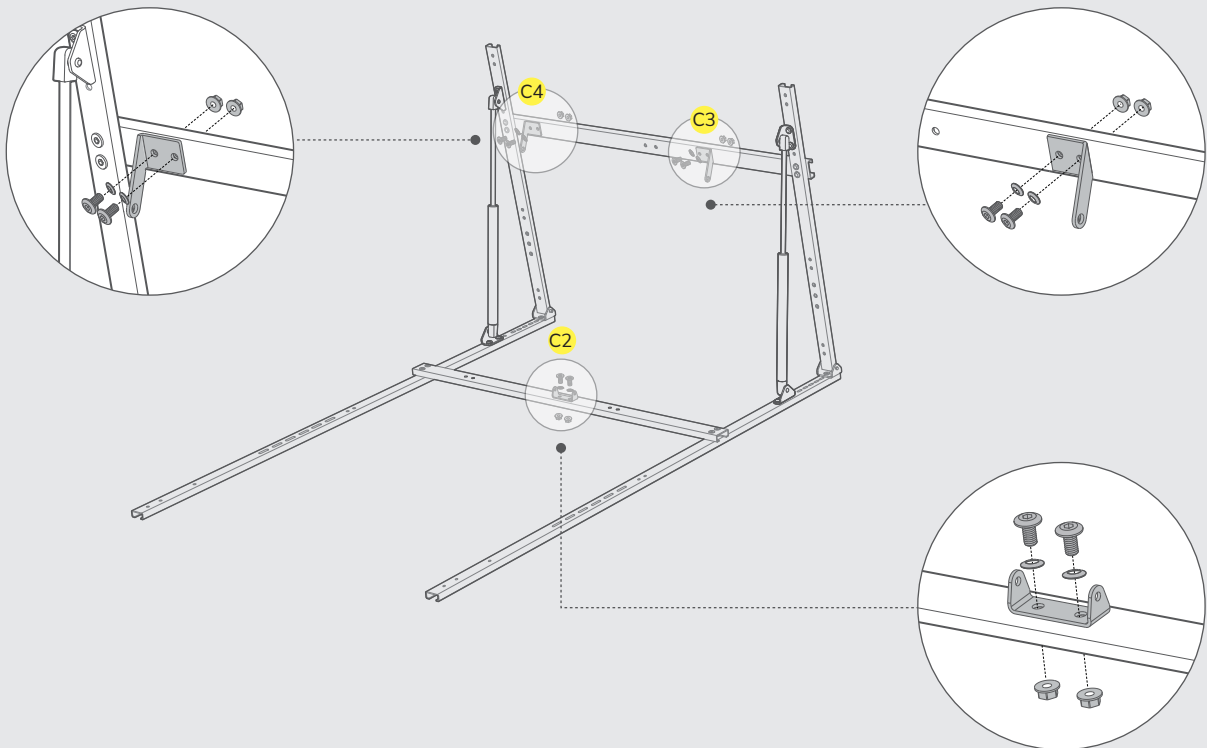
C3  x1

C4  x1

E2  x6

E5  x6

E4  x6

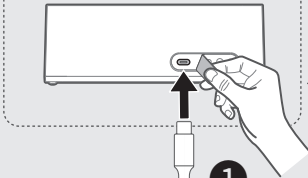


5



*Update your product firmware before use. [Click here](#) or turn to last page to see how to update.

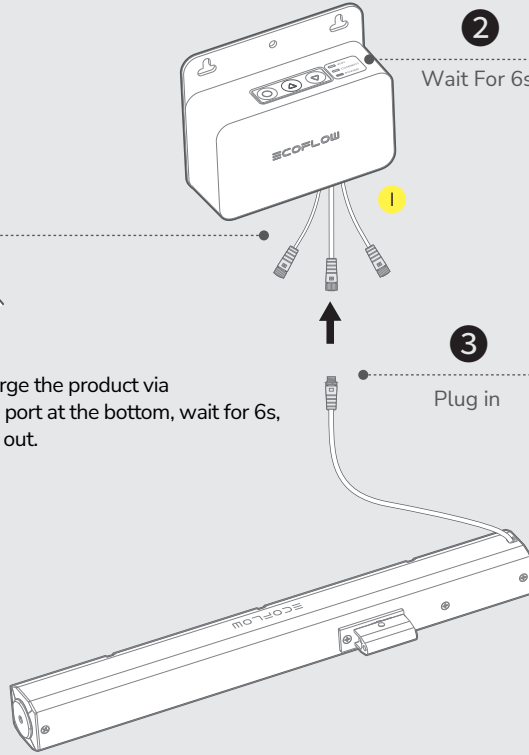
I Bottom View



1 Please charge the product via the USB-C port at the bottom, wait for 6s, then pull it out.

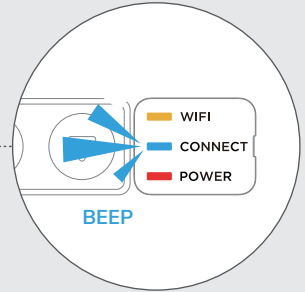


USB-C cable
(not included)



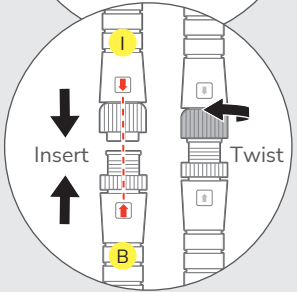
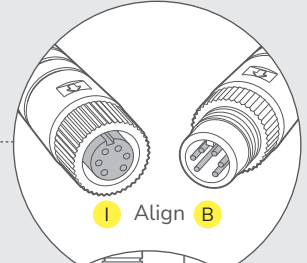
2

Wait For 6s



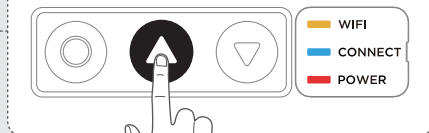
3

Plug in



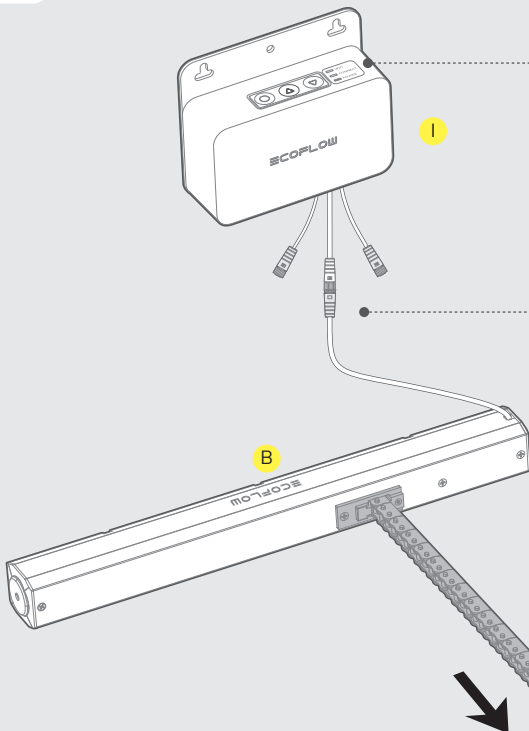
6

I Top View



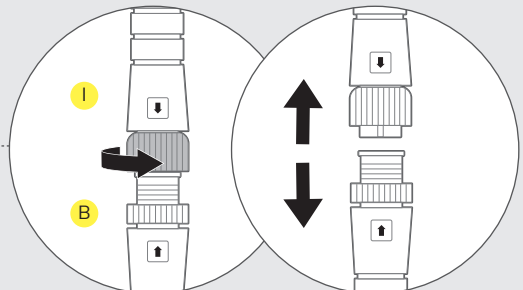
1

Long press the ▲ button until the chains inside B totally stretch out.



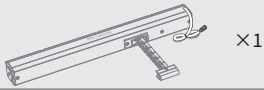
2

Unplug



7

B

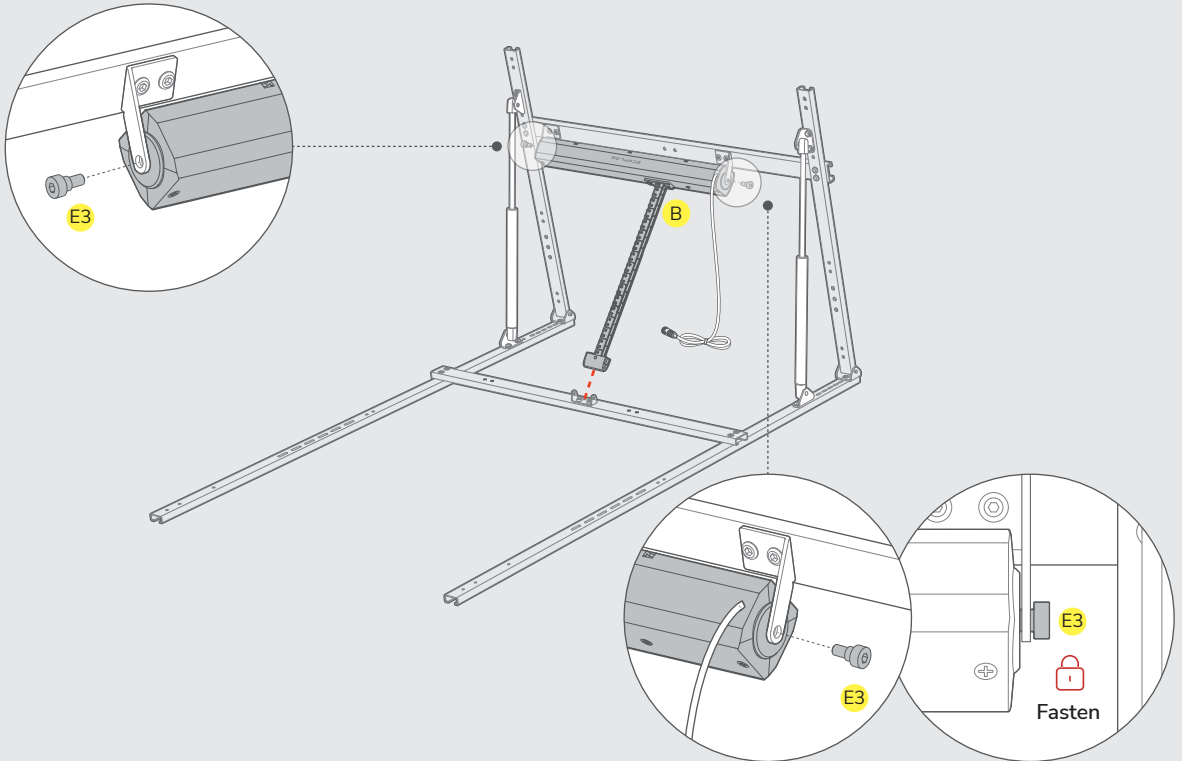


x1

E3

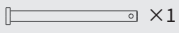


x2



8

F1

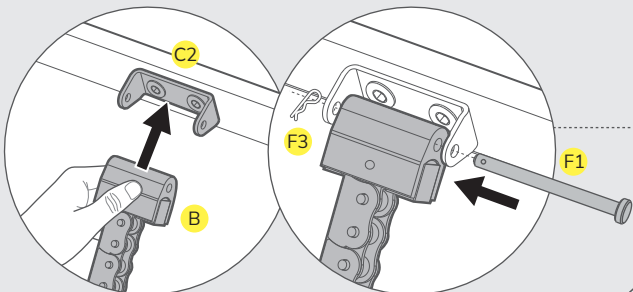
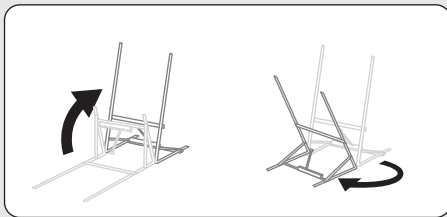


x1

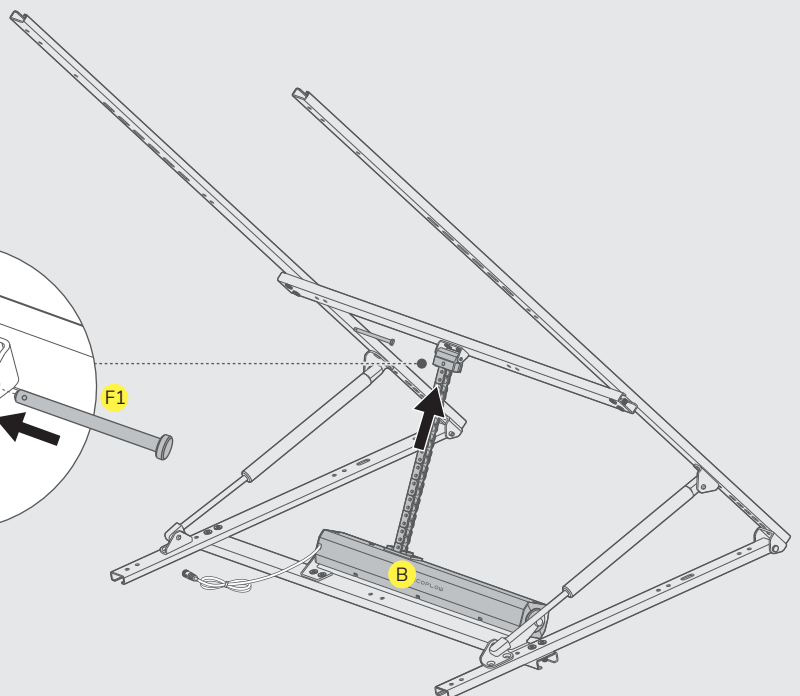
F3



x1



Pull back the top of the chains until it is aligned with the C2 connector.



Install the electrical devices H-I

Elektrische Geräte H-I montieren / Installez les appareils électriques H-I / Installare i dispositivi elettrici H-I / Fije los dispositivos eléctricos H-I / Elektrische apparatuur H en I monteren / Установите электрические устройства H-I / 전기 기기 H-I 설치 / 安装电气装置H-I / 安裝電力裝置 H-I

1



×1



×1

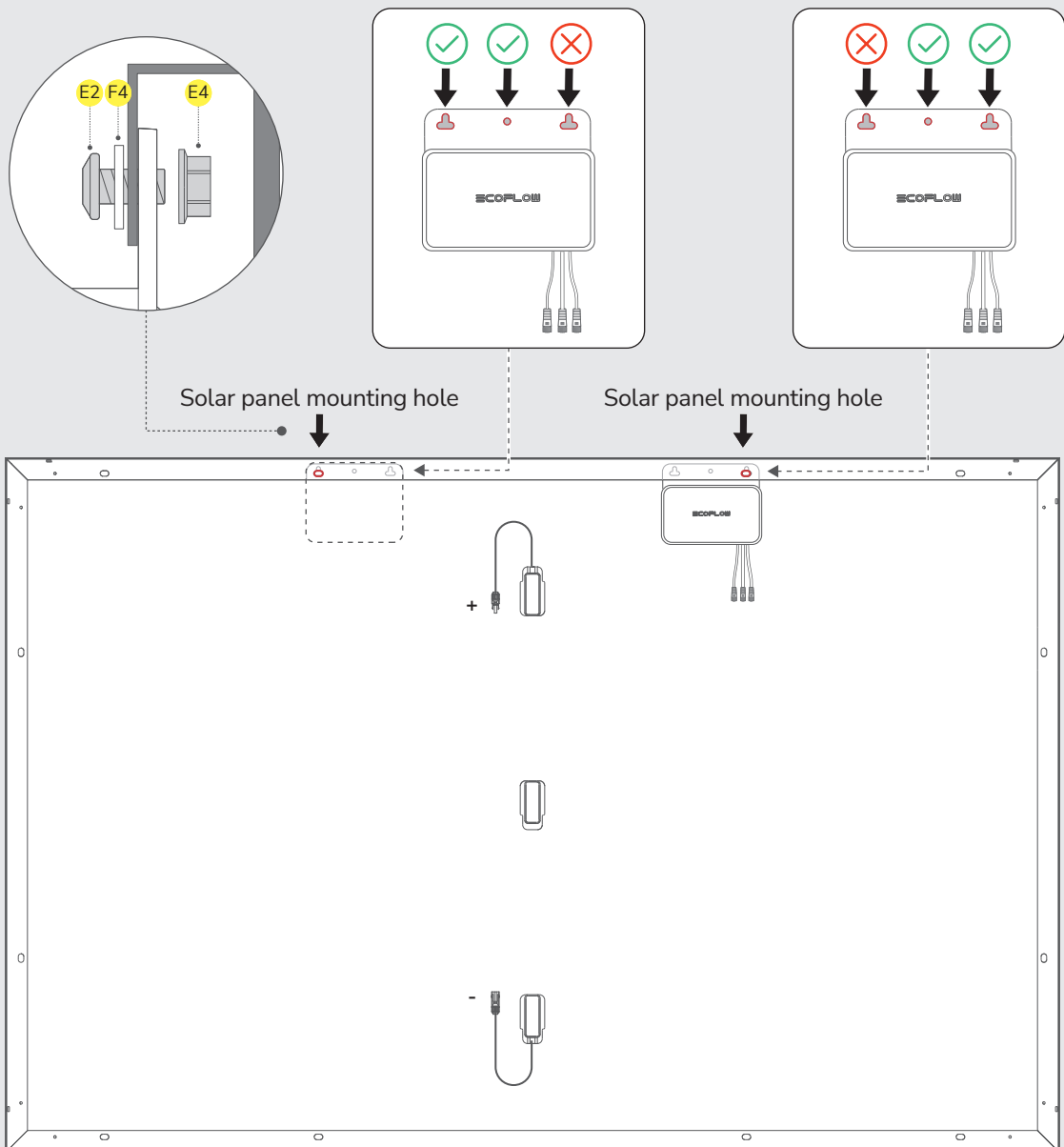


×1



×1

*Select a suitable mounting hole on the long side of the solar panel and near the positive pole.



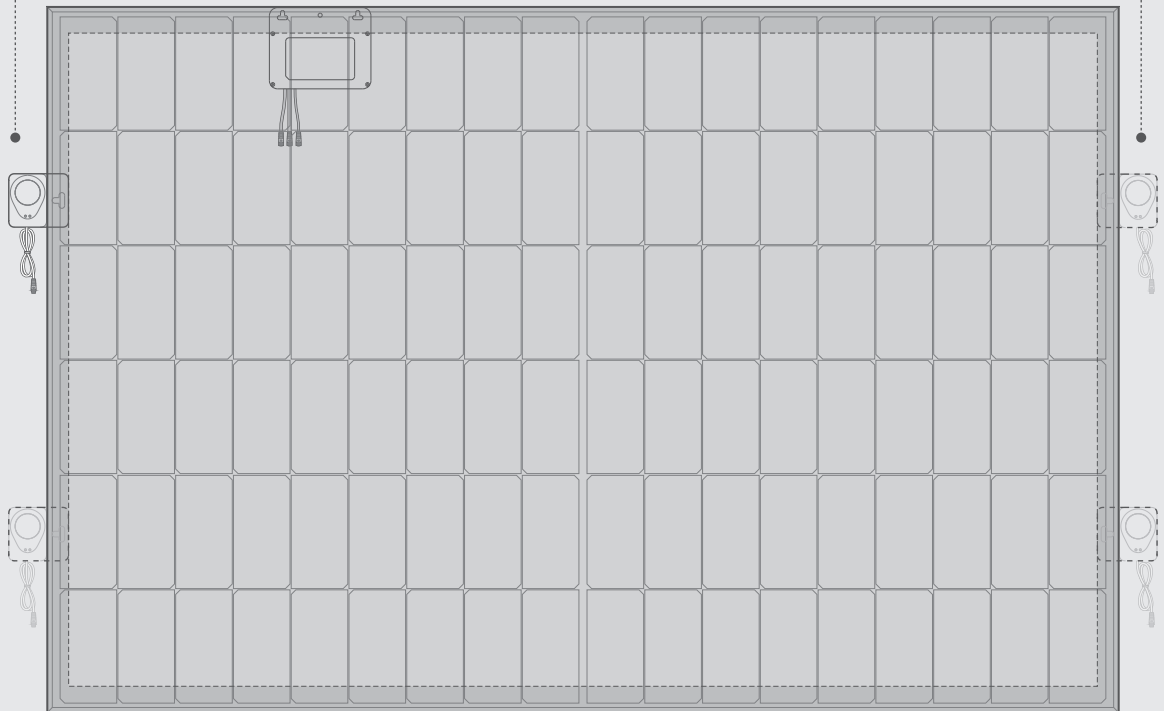
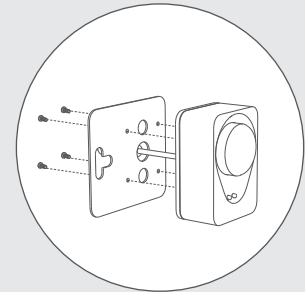
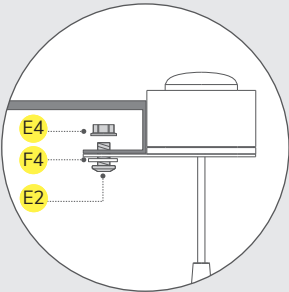
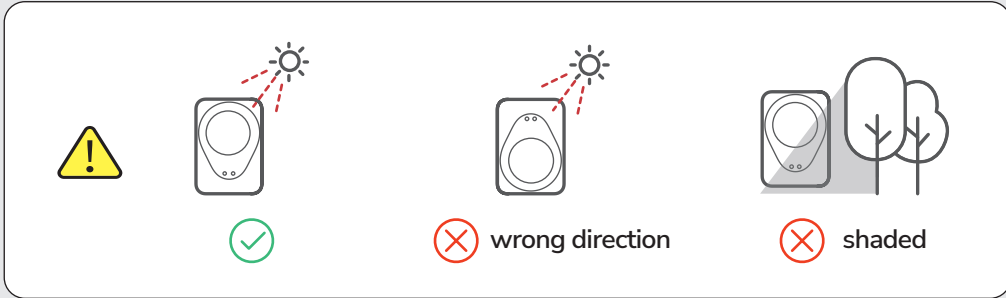
Back view

EcoFlow 400W Rigid Solar Panel (sold separately)

2



*If to change the position of H, please install it following the diagram, and always make sure the tip is towards the ground.



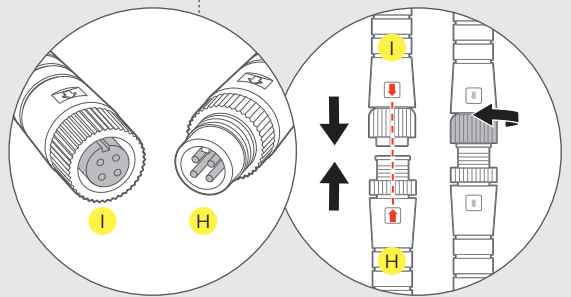
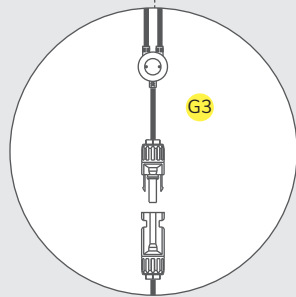
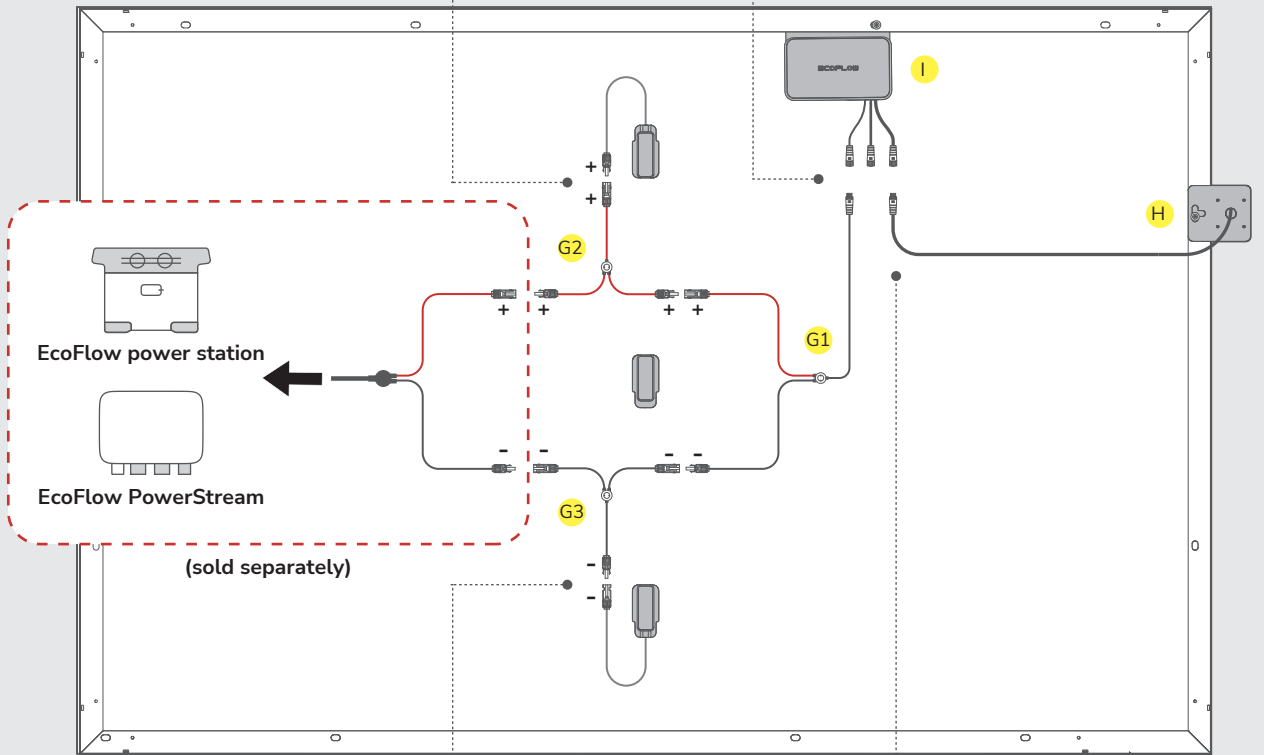
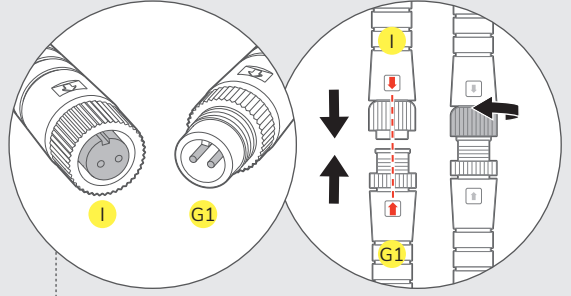
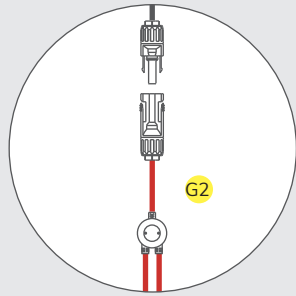
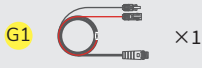
Front view

EcoFlow 400W Rigid Solar Panel (sold separately)

Connect the cables G1-G3

Hakensets D1 monteren / Installez les kits de crochet D1 / Installare i kit di ganci D1 / Coloque los enganches D1 / Installeer de haaksets D1 / Установите комплекты крюков D1 / 후크 키트 설치 / 安装挂钩D1 / 安裝掛鉤套件 D1

1



Install the solar panel

Solarpanel installieren / Installez le panneau solaire / Installare il pannello solare / Instale el panel solare / Zonnepaneel monteren / Установите солнечную / 태양광 패널 설치 / 安装太阳能板 / 安裝太陽能板

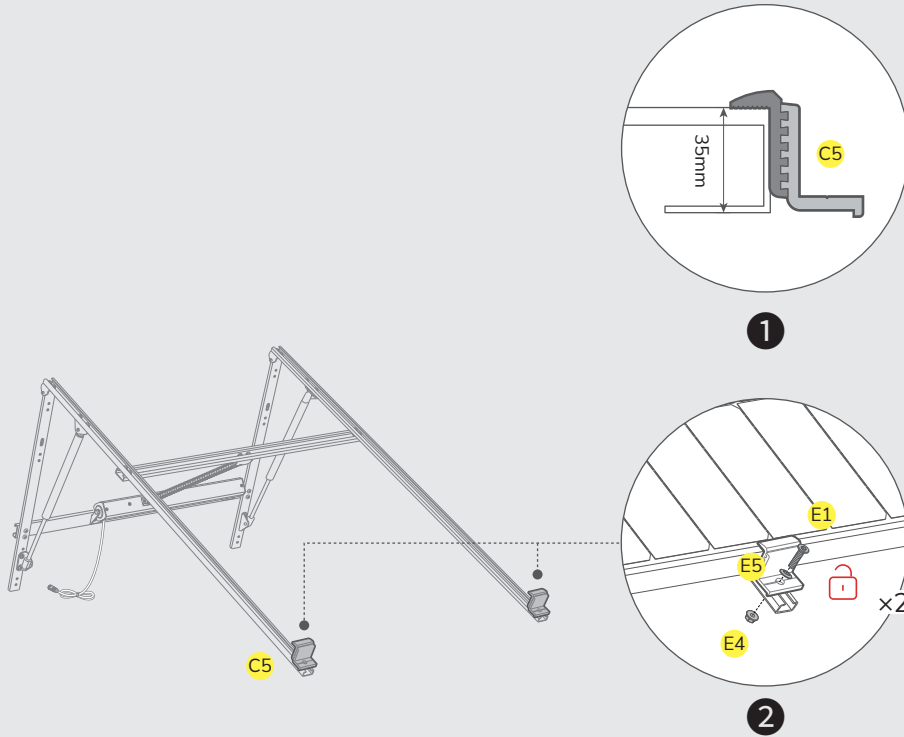
1

C5  x2

E1  x2

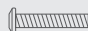
E5  x2

E4  x2



2

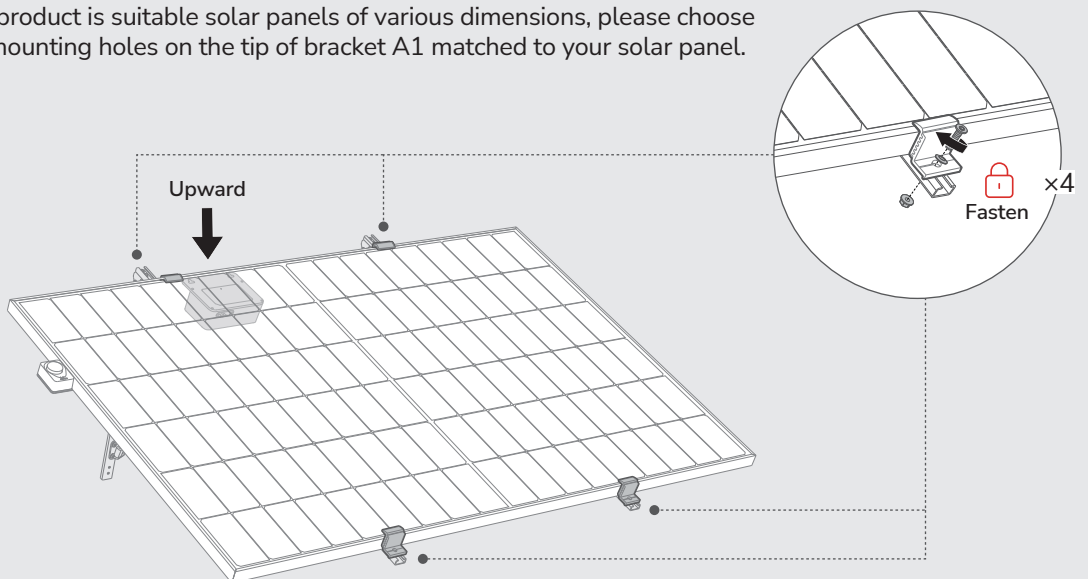
C5  x2

E1  x2

E5  x2

E4  x2

*This product is suitable for solar panels of various dimensions, please choose the mounting holes on the tip of bracket A1 matched to your solar panel.



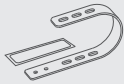
EcoFlow 400W Rigid Solar Panel (sold separately)

Install the hook kit D1

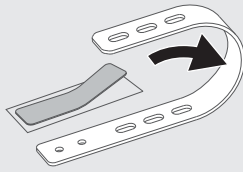
Hakensets D1 montieren / Installez les kits de crochet D1 / Installare i kit di ganci D1 / Coloque los enganches D1 / Installeer de haaksets D1 / Установите комплекты крюков D1 / 후크 키트 D1 설치 / 安装挂钩D1 / 安裝掛鉤套件 D1

1

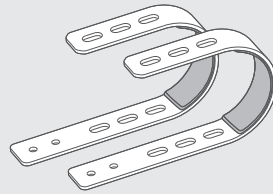
D1



×2

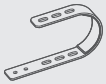


×2



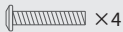
2

D1



×2

E1



×4

E5



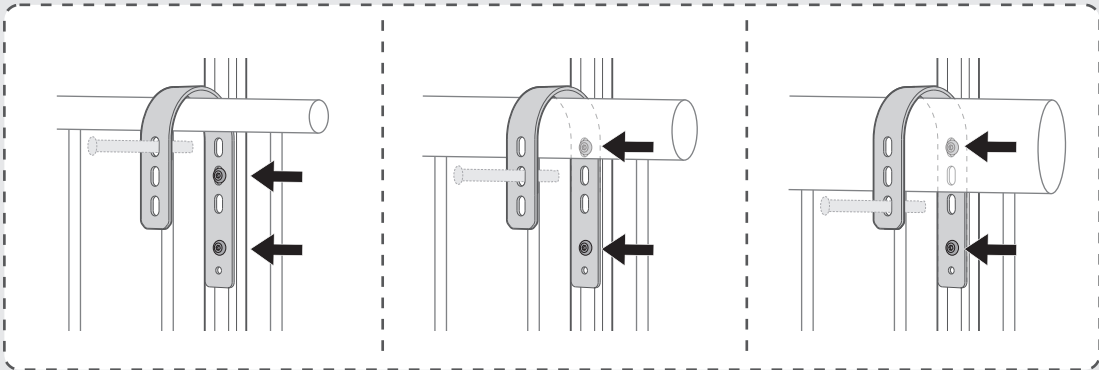
×4

E4

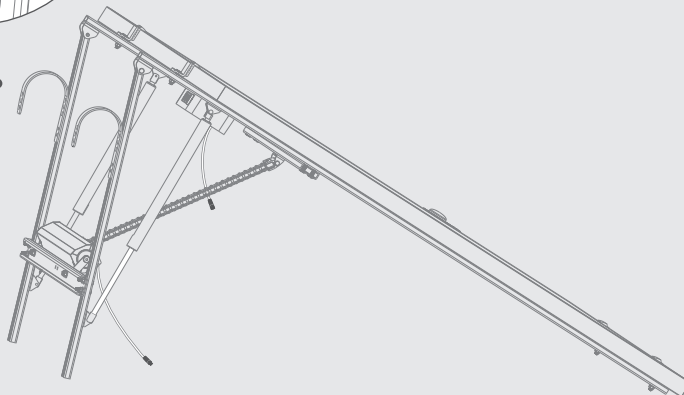
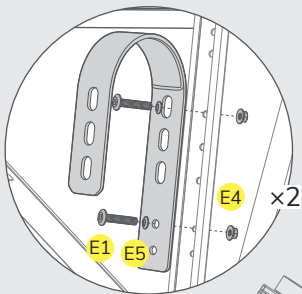


×4

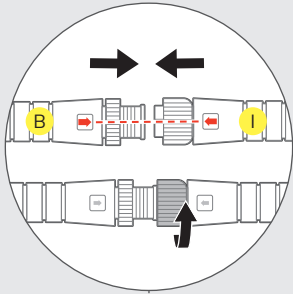
*Place the hook onto the railing of your balcony and choose the suitable mounting holes and then fix it.



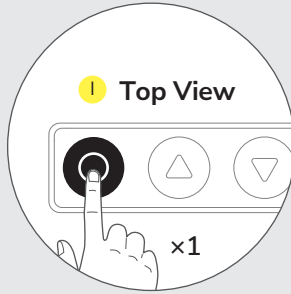
Mounting hole positions for reference



Left view

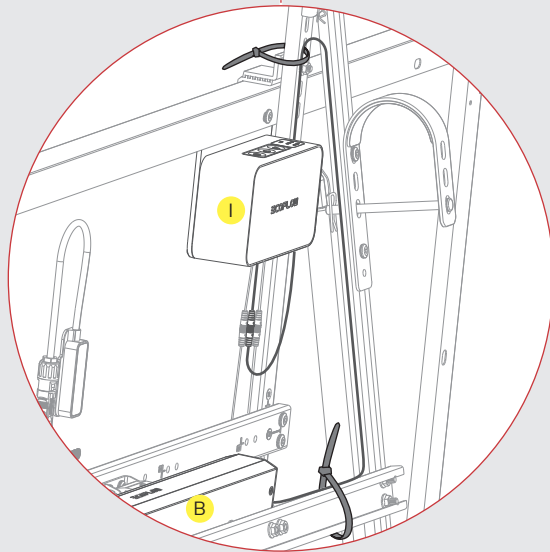
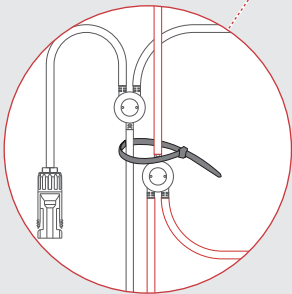
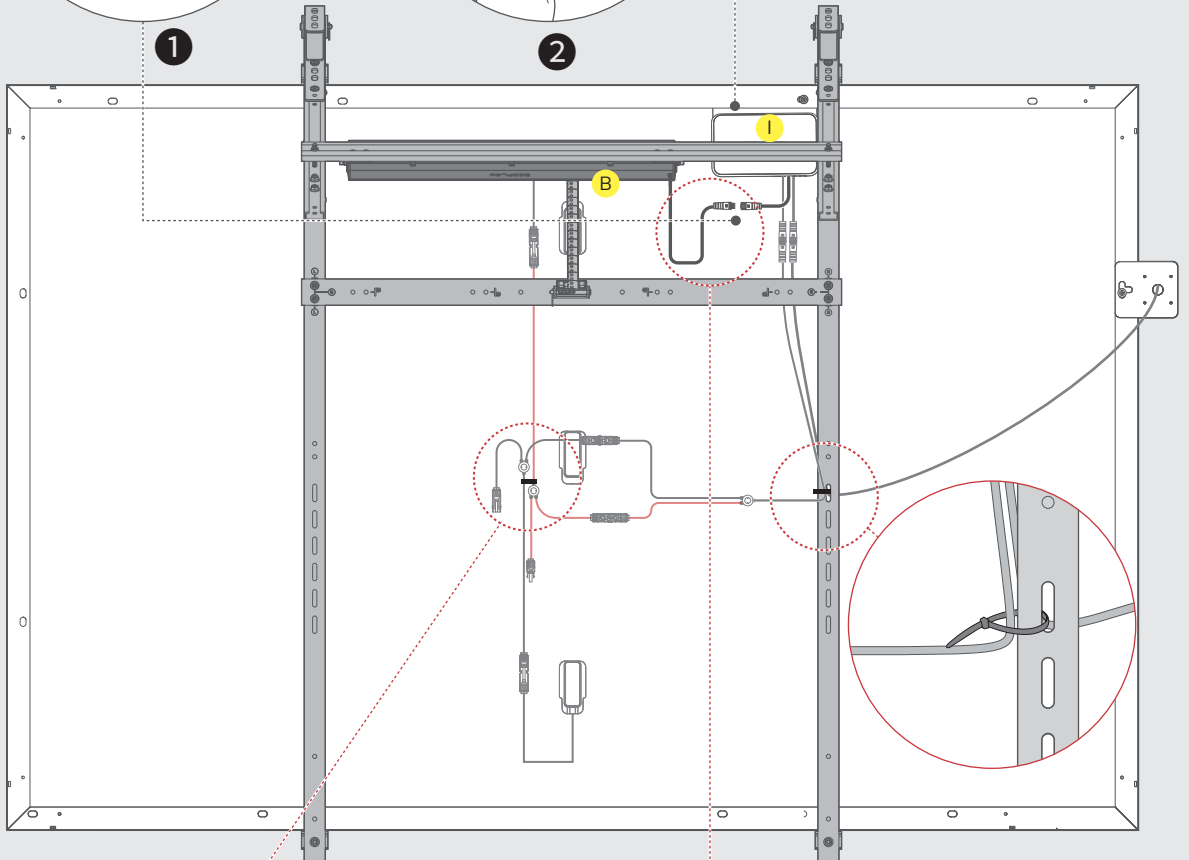


1



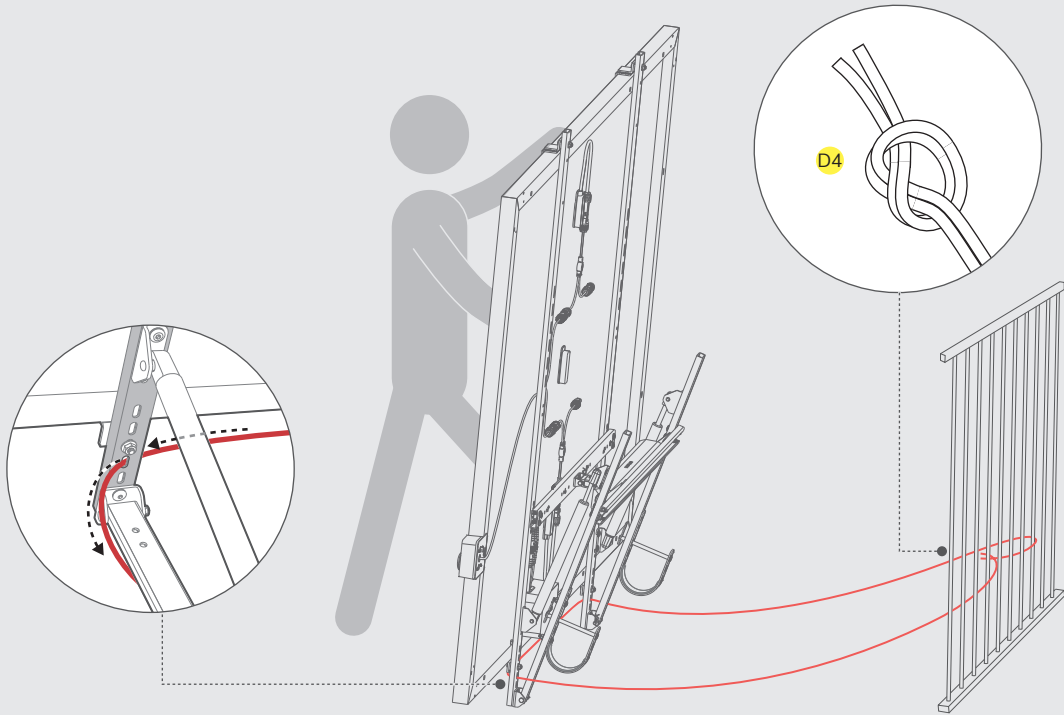
2

Short press the power button on the control box once to enter standby mode. The product will pull back to 0° position.

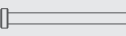


3

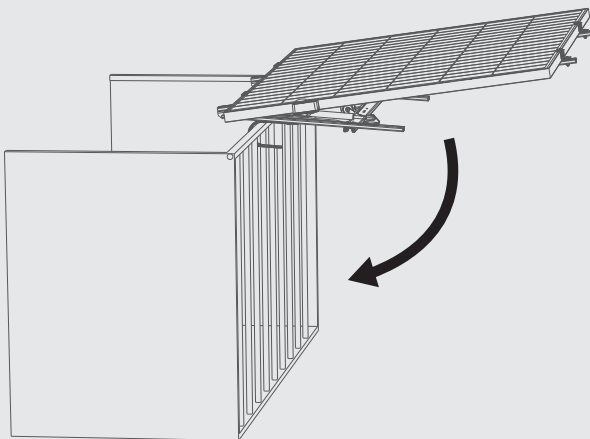
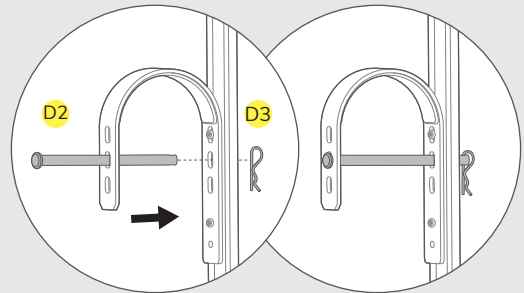
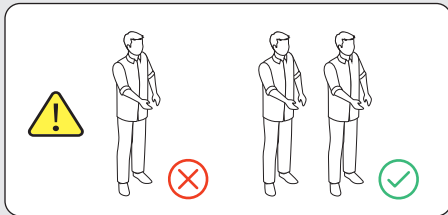
D4  x1



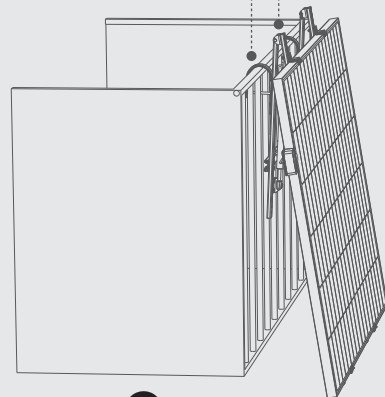
4

D2  x2

D3  x2



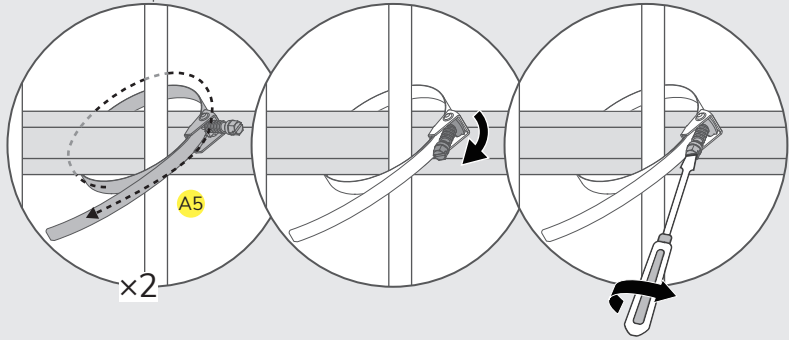
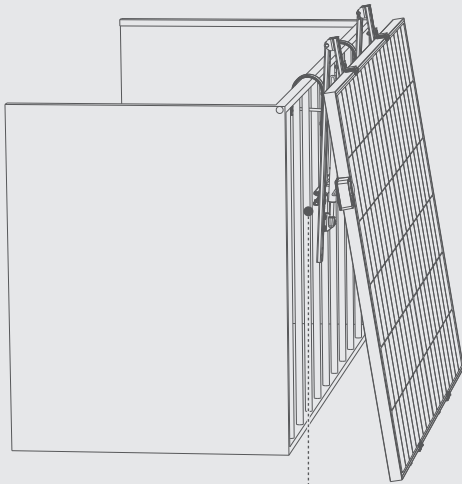
1



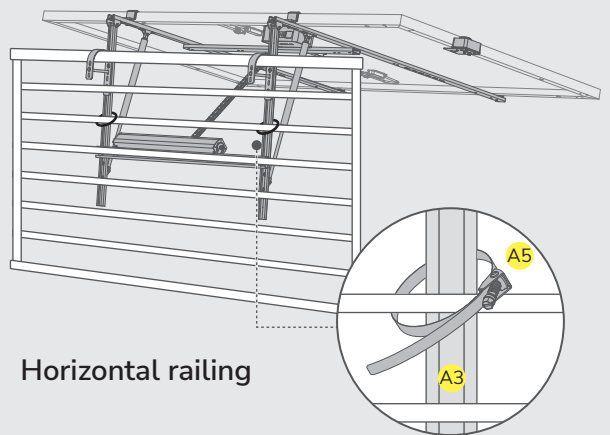
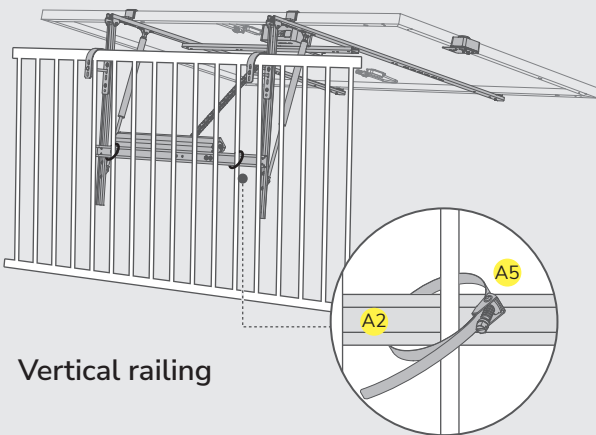
2

3

A5  x2

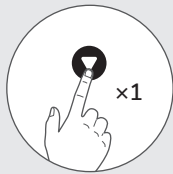
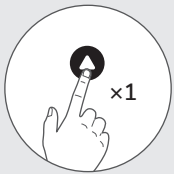
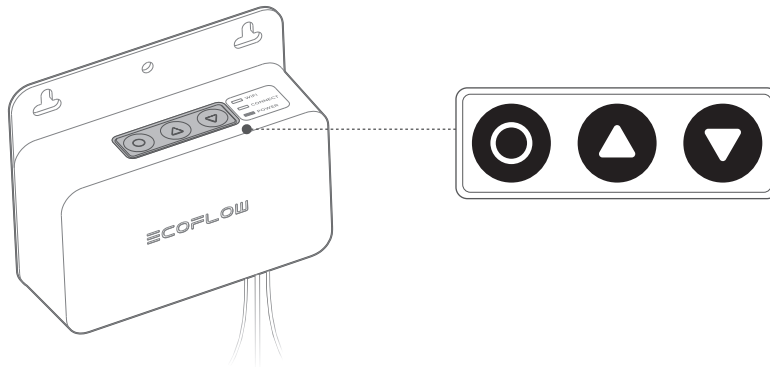


Fixing ways for different railings



Introduction to control buttons

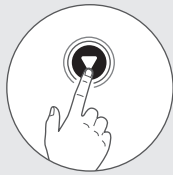
Einführung in die Steuertasten / Présentation des boutons de commande / Introduzione ai pulsanti di controllo / Guía rápida de los botones de control / De bedieningsknoppen / Знакомство с кнопками управления / 컨트롤 버튼 소 / 按键介绍 / 控制按钮简介



Press once

Angle $\pm 1^\circ$

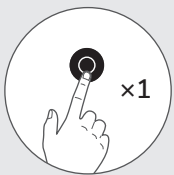
Winkel $\pm 1^\circ$ / Angle $\pm 1^\circ$ / Angolo $\pm 1^\circ$ / Ángulo $\pm 1^\circ$ /
Hoek $\pm 1^\circ$ / Угол $\pm 1^\circ$ / 각도 $\pm 1^\circ$ / 角度 $\pm 1^\circ$ / 角度 $\pm 1^\circ$



Long press

Quickly adjust the angle

Réglage rapide de l'inclinaison / Regola rapidamente l'angolazione / Permite ajustar el ángulo rápidamente / Snel de hoek aanpassen / Быстрая регулировка угла / 빠르게 각도 조절 / 快速调节角度 / 快速調整角度



Press once

Standby/ Exit standby



Long press for 5s

OFF (unplug the cable G1 before turning off)



Press twice

Switch between manual/auto modes

Umschalten zwischen manuellem/automatischem Modus
Basculement entre les modes manuel/auto
Alterna la modalità manuale/automatica
Permite cambiar entre los modos manual y automático
Schakelen tussen handmatig en automatisch
Переключение между ручным и автоматическим режимами
수동/자동 모드 간 전환* 切换手动/自动模式* 切换手動/自動模式

Introduction to working states

Einführung in den Betriebsstatus / Introduction aux états de travail / Introduzione agli stati di lavoro / Guía rápida de los estados de trabajo / De bedrijfsstanden / Знакомство с рабочими состояниями / 작동 상태 소개 / 工作状态介绍 / 運作狀態簡介

>50000lux

Tracking sunlight

Sonnenlicht nachverfolgen / Suivi de la lumière du soleil / Tracciamento della luce solare / Detectando luz del so / Zonlicht volgen / Отслеживание солнечного света / 햇빛 추적 / 追光 / 追蹤陽光

>30000lux

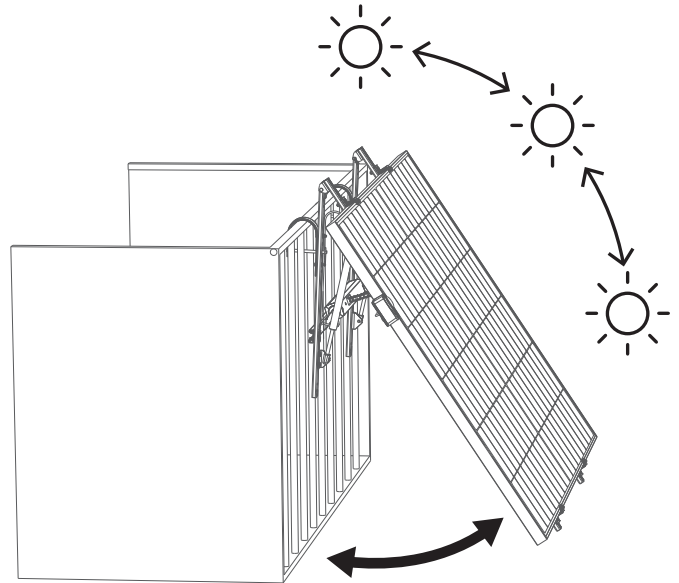
Finding sunlight

Sonnenlicht suchen / Recherche de la lumière du soleil / Individuazione della luce solare / Buscando luz del sol / Zonlicht zoeken / Поиск солнечного света / 햇빛 찾기 / 搜光 / 尋找陽光

≤30000lux

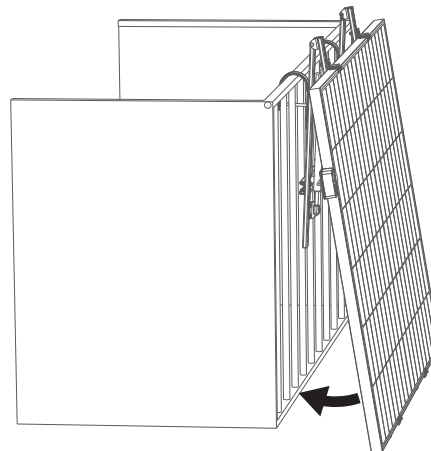
Standby

Standby / Veille / Standby / En espera / Stand-by / Ожидание / 대기 / 待機 / 待機



Work protection (under extreme weather)

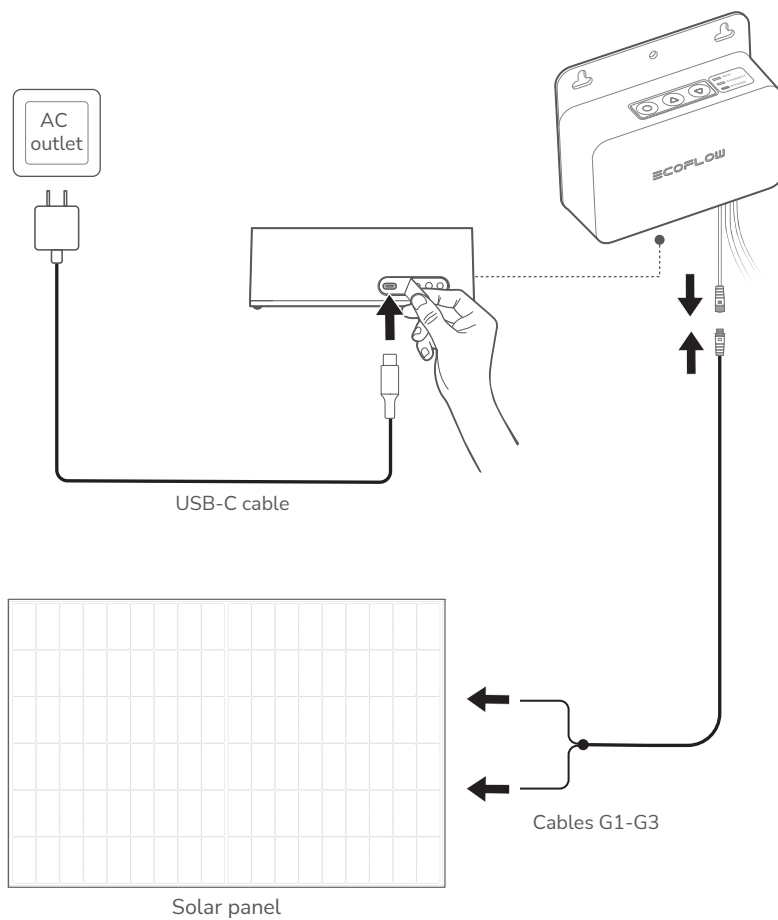
Arbeitsschutz (bei extremer Witterung) / Protection du travail (en cas de conditions météorologiques extrêmes) / Protezione del lavoro (in condizioni meteorologiche estreme) / Protección operativa (en condiciones climáticas adversas) / Beschermingsstand (bij extreem weer) / Защита работы (в экстремальных погодных условиях) / 작동 보호(악천후 시) / 工作保护(极端天气下) / 工作保護(極端天氣)



Introduction to charging

Einführung in das Laden / Introduction à la charge / Introduzione alla ricarica / Guía rápida sobre el proceso de carga / Opladen / Знакомство с процедурой зарядки / 충전 소개 / 充电方式 / 充電簡介

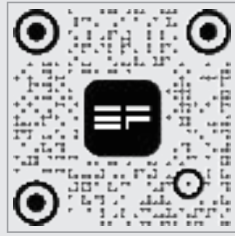
*The product supports solar charging and USB-C charging.



EcoFlow App

*Update your product firmware. [Click here](#) to return to the installation parts.

1



EcoFlow App

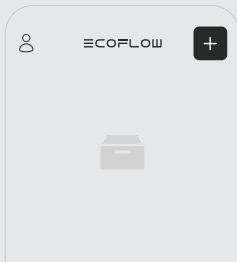


EcoFlow App

Get it on
Google Play

App Store
下載

2



Add the device

3

Searching for units



Search via Bluetooth

4

Internet setup

Wi-Fi name

Password

Remember password

Connect

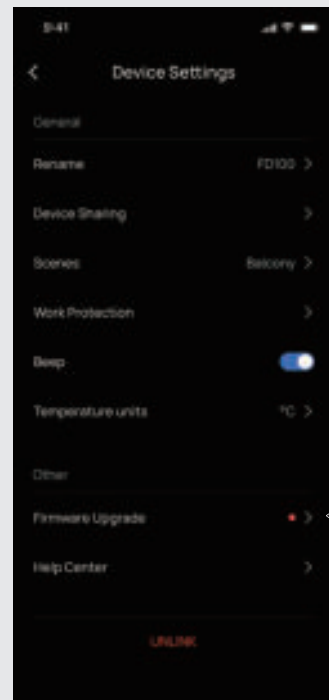
Connect to the Internet

5



Device Homepage > Device Settings

6



Firmware update