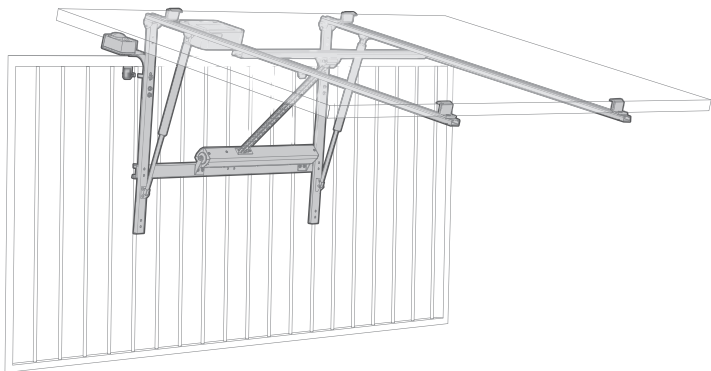


# ECOFLOW

## Single Axis Solar Tracker

User Manual V1.0





## Disclaimer

Users are expected to read this User Manual carefully and ensure they have fully understood the content before using this product. Please keep this User Manual for future reference. Any incorrect usage may result in severe injury to the user or others, damage to the product or loss of property. By using this product, the user will be deemed as having understood, recognized and accepted all the terms and contents of the User Manual, and will be responsible for any incorrect usage, and all the consequences arising therefrom. EcoFlow hereby disclaims any liability for any losses due to the user's failure to use the product according to the User Manual.

Subject to compliance with laws and regulations, our company has the final right to interpret this document and all documents of and related to this product. Any update, revision or termination of the content thereof, if necessary, will be made without prior notice, and users must visit the official website of EcoFlow for the latest information regarding the product.

# Contents



<b>Specifications</b>	1
<b>Safety Instructions</b>	2
<b>Pre-installation Guide</b>	3
Installation orientation	3
Applicable balcony types	4
<b>Getting Started</b>	5
Control Buttons	5
Product Features	6
Charging Method	8
Light Effects	8
<b>Troubleshooting</b>	9
<b>Care and Maintenance</b>	9

# Specifications

Basic Information	
Model	EFD100
Net Weight	Approximately 11 kg (24.3 lbs)
Unfolded Dimensions (L × W × H)	1250×850×1000 mm (49.2×33.5×39.4 in)
Folded Dimensions (L × W × H)	1250×223×88 mm (49.2×8.8×3.5 in)
IP Rating	IP54
Pitch Axis Range	10°-85°
Dimensional Range (L × W × H)	1000-2500 × 600-1200 × 30-40 mm (39.4-98.4 × 23.6-47.2 × 1.2-1.6 in)
Load Capacity	28kg (61.7 lbs)
Wi-Fi / Bluetooth	Supported
Input Specifications	
USB-C Input	5V≈10W
Solar Input	10.5V-50V≈30W (max)
Battery Specifications	
Battery Capacity	36Wh (14.4V≈2.5Ah)
Battery Chemistry	NCM
Charge Temperature	0°C - 48°C (32°F - 118°F)
Discharge Temperature	-17°C - 62°C (62°F - 143°F)
Cycle Life	80%+ capacity after 500 cycles



# Safety Instructions

## Installation

1. Do not install this product in places soaked in water.
2. When installing the product on the balcony, please ensure that the balcony railing can bear the weight of the product and the solar panel, and that the height of the lowest part of the product from the ground (not above 4m) meets the requirements of local laws and regulations .
3. The installation should be completed by at least 2 persons. Please wear protective gloves and goggles during installation to avoid injury.
4. Please use the installation components that come with the product. If components or accessories need to be replaced, purchase them from the EcoFlow official sales channels.
5. Please use the mounting holes reserved for this product. Do not drill holes in or modify the frame without permission, otherwise the warranty will be voided.
6. Do not place or hang heavy objects other than the solar panel on this product.
7. Children under the age of 12 are not allowed to use this product alone. Do not remove the module or nameplate by yourself, otherwise the warranty may be voided.

## Use

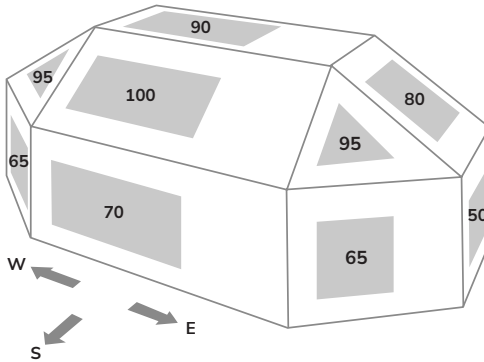
1. Do not use the product on stormy days. The work protection function will be triggered in case of a strong breeze. Please turn off the product in case of fresh gale or above, make sure the product is at the minimum angle, and ensure it's been securely fastened.
2. Do not use this product in environments with strong static electricity or magnetic fields (such as a thunderstorm).
3. Do not forcibly fold and move the product, or unplug any power cords when this product is working.
4. Do not touch product outlets with wires or other metal objects, otherwise the product may short circuit.
5. Check the connections of parts every three months to ensure that they are intact.
6. Keep the battery level (see it on EcoFlow app) between 30%-40% and power off the control box for long-term storage. The product will not be covered by the warranty if it is not charged or discharged for more than 6 months.

# Pre-installation Guide

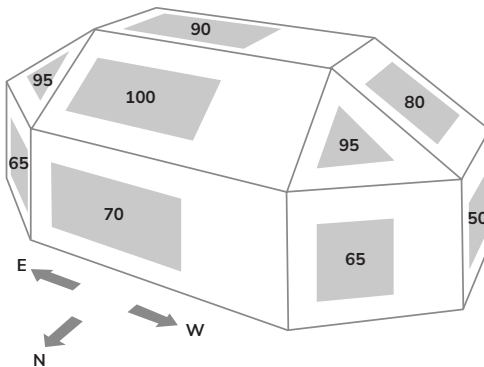
## Installation orientation

This product is used for tracking solar rays in a vertical direction to improve power generation efficiency. When selecting the installation orientation and location, refer to the following figure or consult a local solar installation vendor.

**Located in the Northern hemisphere** Due south > Southeast > Southwest



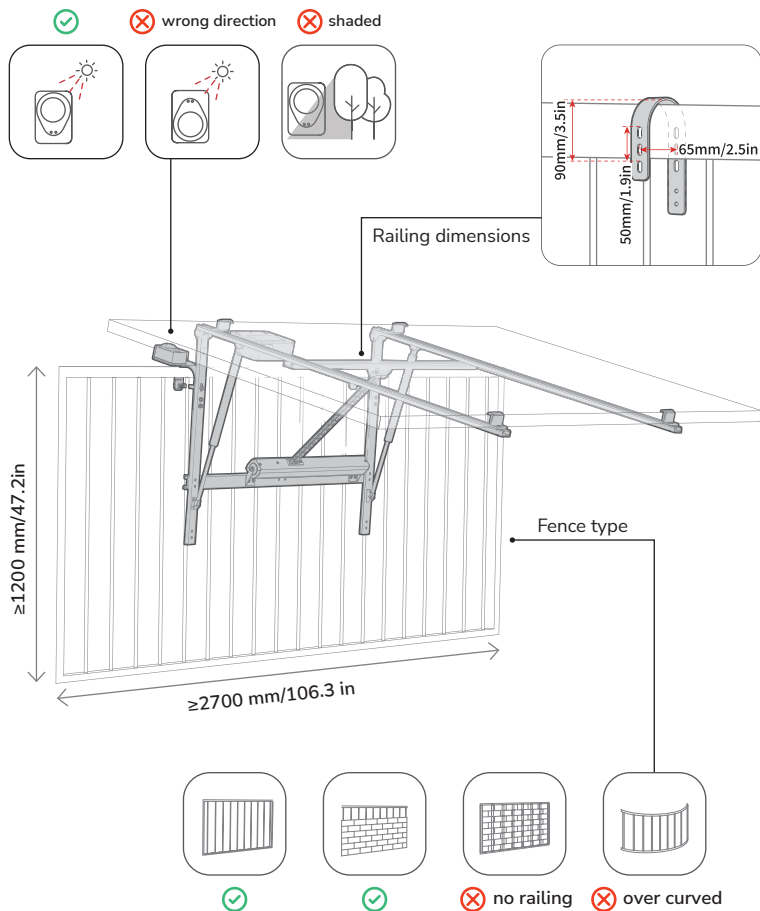
**Located in the Southern hemisphere** Due North > Northeast > Northwest



The figures simulate power generation efficiency under the same lighting conditions. The larger the number, the higher the power generation efficiency in this direction.

## Applicable balcony types

When installing the product onto the balcony railing, please ensure that it can bear the weight of the product and the solar panel, and pay attention to the requirements shown in the diagrams below. Installation on a balcony that is too small may cause risks.

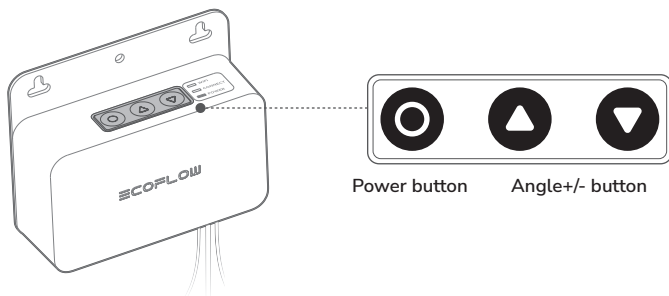


Please install the product in a position where it will not easily be shaded, so as not to affect the tracking performance of the rain-light sensor.



# Getting Started

## Control Buttons



### Power button

**Charge** the control box via USB-C or solar panel to turn on the product automatically.

**Press and hold the power button for 5 seconds\***, the POWER indicator goes out, and the product turns off after it returns its initial position.

**Press once** to enter/exit standby state (the product will return to the initial zero-position in standby mode).

**Press twice** to switch between manual and auto modes (find more customized features on EcoFlow app).

### Angle +/- button\*

**Press the  $\triangle$  /  $\nabla$  buttons once** to increase/reduce the tilt angle by 1°.

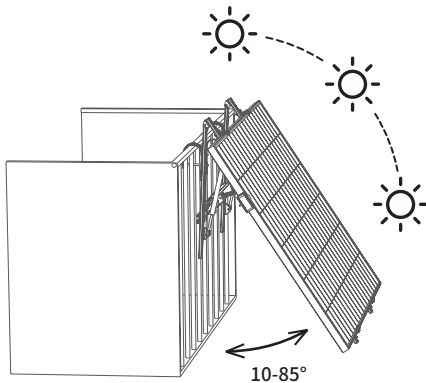
**Press and hold** the  $\triangle$  /  $\nabla$  buttons to quickly adjust the angle.



1. Please remove the charging cables (including the USB-C cable and solar power cords) before turning off.
2. You can manually control the tilt angle of the product via the control box, the remote control (sold separately), and the EcoFlow app.

## Product Features

### Automatic Tracking



#### Power-on

After the product is started, it will enter automatic tracking mode. If the tilt angle is greater than  $10^{\circ}$  when started, it will automatically return to the zero position to calibrate the angle.

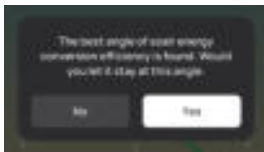
#### Searching sunlight

When the light intensity is greater than 30,000 lux, the product will automatically enter the searching mode.

#### Tracking sunlight

When the light intensity is greater than 50,000 lux, the product enters the tracking mode and automatically adjusts to the optimal tilt angle.

When the difference value between the optimal angle and the current angle is small, frequent adjustment will cause unnecessary power loss. You can choose whether to maintain the current angle in the pop-up window in EcoFlow app .



#### Sleep

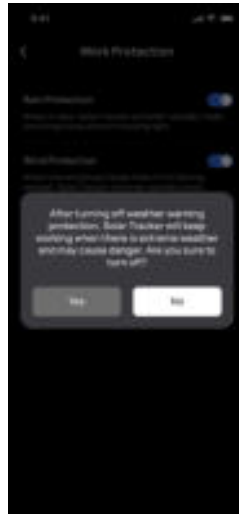
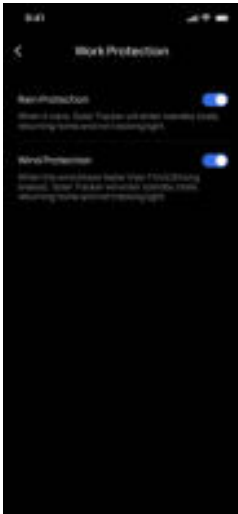
When the light intensity remains less than or equal to 30,000 lux for 5 minutes, the product will automatically retract and enter the sleep mode. After the light intensity becomes greater than 30,000 lux (lasting for 5 seconds), the product will enter the search mode again. You can also control the tilt angle of the product by pressing the buttons.

## Work Protection

### Rain protection/Wind protection

The EcoFlow app will send warnings, and the product will enter sleep mode and automatically return to the zero position, when rain or snow is detected, or when the surrounding environment shakes (such as during a sudden earthquake or typhoon).

The product will start to work again after the warnings stopped. You can turn off the work protection function in the Device Settings page in the app (not suggested).

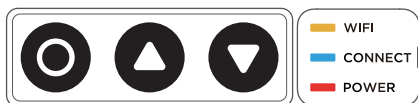


## Charging Method

The product is shipped with a certain amount of electricity by default. After connecting to the solar panel, the control box can be recharged continuously.

In a fully charged state, the battery life of the product is around 3 days. In the case of rain, snow, typhoon weather or other conditions where the solar panel cannot supply power stably and the battery is too low, it can be recharged through the USB-C port at the bottom of the control box.

## Light Effects



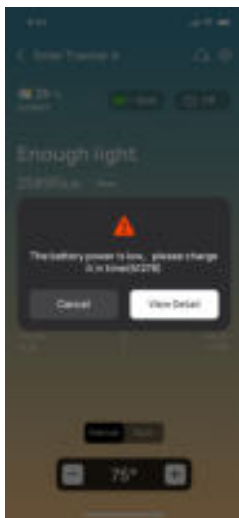
Indicator Status		Indications
POWER Indicator	Always on	Working properly
		Turning on/off
		Recharging
	Fast flashing (flash 5 times every second)	Low battery ( $\leq 10\%$ )
	Fast flashing (flash 10 times every second)	Firmware upgrading
	Slow flashing (flash once every second)	Error*
Glimmering (flash once every 5 seconds)	Sleep/Standby	
CONNECT Indicator	Always on	App/Remote control pairing succeeded
	Off	Successfully connected to Wi-Fi
		Mobile's Bluetooth is off
Device restart		
Wi-Fi Indicator	Always on	Successfully connected to Wi-Fi
	Off	Not connected to Wi-Fi/ Failed to connect to Wi-Fi



Refer to 'Troubleshooting'.

# Troubleshooting

Find the error codes and solutions in EcoFlow app, or you can contact customer service for help.



## Care and Maintenance

1. Please check the connection of each component at least once every 3 months to ensure that they are not damaged or loose.
2. Please follow the product operating temperature: charging: 0°C to 48 °C (32°F - 118°F); discharging: -17°C to 62°C (62°F - 143°F) in [Technical Specifications].
3. Keep the battery level (see it on EcoFlow app) between 30%-40% and power off the control box for long-term storage. The product will not be covered by the warranty if it is not charged or discharged for more than 6 months.
4. If the product has been idle for too long and the power level is 0%, it will enter a deep sleep protection mode. In this case, please charge the product before using it again.

≡COFLOW