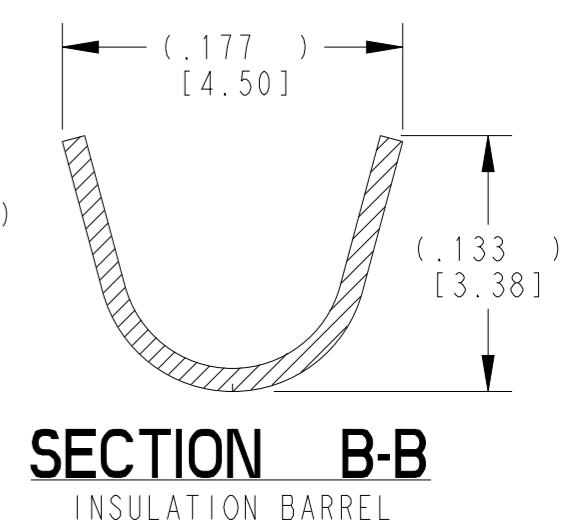
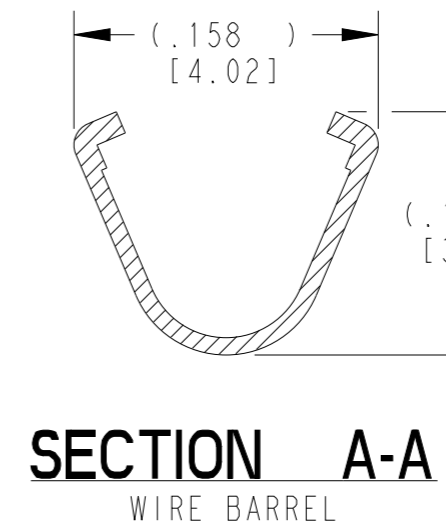
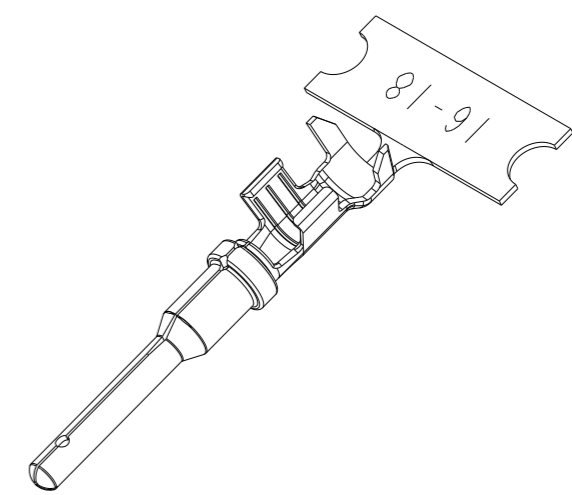
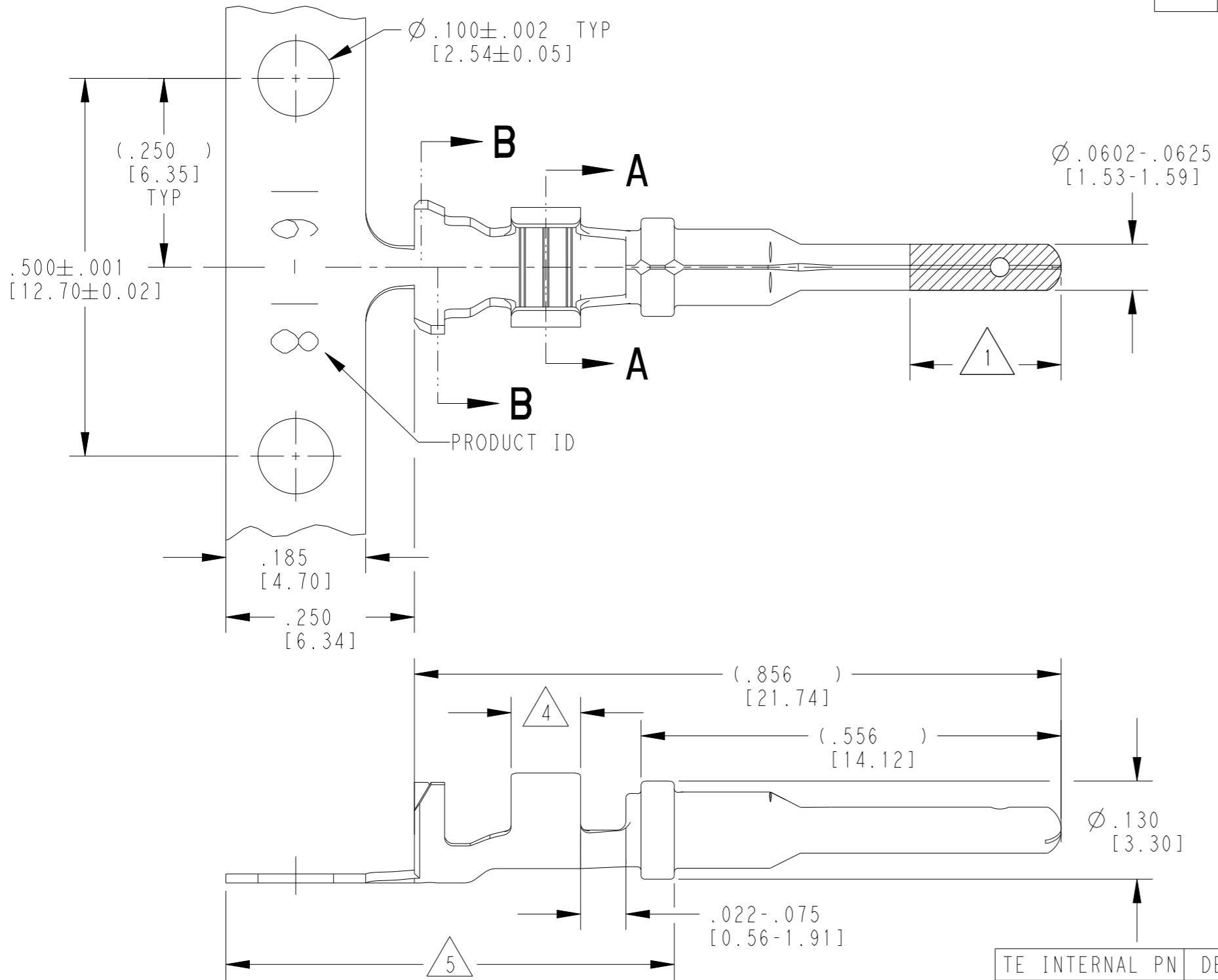


THIS DRAWING IS UNPUBLISHED. RELEASED FOR PUBLICATION 2020
 © COPYRIGHT 2020 BY TE CONNECTIVITY ALL RIGHTS RESERVED.


LOC	DIST	REVISIONS			
P	LTR	DESCRIPTION	DATE	DWN	APVD
	J	REVISED PER ECO-15-007761	28MAY2015	RL	DM
	K	REVISED PER PCN E-20-008101	12JUN2020	DM	DM
	L	REVISED PER PCN-21-121539	08DEC2021	MK	DM



- 5 TIN PLATING MAY BE IN THIS REGION.
 - 4 TIN PLATED REGION.
 - 3 MATERIAL: .012 [0.30] THICK COPPER ALLOY
 - 2. WIRE RANGE: 18 AWG TO 14 AWG [0.75-2.0 mm²]
INSULATION RANGE: $\varnothing .075 - .140$ [$\varnothing 1.91 - 3.56$]
 - 1 GOLD PLATED REGION.
- NOTES: UNLESS OTHERWISE SPECIFIED

TE INTERNAL PN	DEUTSCH PN	PLATING
1060-16-0122	1060-16-0122	Ni/Cu overall, Sn/Ni/Cu Wire Barrel
1060-16-0144	1060-16-0144	Selective Au, Ni/Cu overall, Sn/Ni/Cu Wire Barrel
1060-16-0177	1060-16-0177	Sn/Ni/Cu overall

THIS DRAWING IS A CONTROLLED DOCUMENT.

DWN M. BLUM 04NOV1999	 TE Connectivity																									
CHK A. ROLINSKI 08DEC2000																										
APVD R. REED 08DEC2000																										
PRODUCT SPEC 108-151000																										
DIMENSIONS: INCHES [mm]	TOLERANCES UNLESS OTHERWISE SPECIFIED:	NAME STAMPED CONTACT PIN SIZE 16																								
<table border="1"> <tr> <td>0 PLC</td> <td>±</td> </tr> <tr> <td>1 PLC</td> <td>±</td> </tr> <tr> <td>2 PLC</td> <td>±</td> </tr> <tr> <td>3 PLC</td> <td>±.025 [0.64]</td> </tr> <tr> <td>4 PLC</td> <td>±</td> </tr> <tr> <td>ANGLES</td> <td>±</td> </tr> </table>	0 PLC	±	1 PLC	±	2 PLC	±	3 PLC	±.025 [0.64]	4 PLC	±	ANGLES	±	<table border="1"> <tr> <td>APPLICATION SPEC</td> <td>114-151000</td> </tr> <tr> <td>WEIGHT</td> <td>0.33 g</td> </tr> </table>	APPLICATION SPEC	114-151000	WEIGHT	0.33 g	<table border="1"> <tr> <td>SIZE</td> <td>A3</td> <td>CAGE CODE</td> <td>4AFU8</td> <td>DRAWING NO</td> <td>1060-16-01XX</td> <td>RESTRICTED TO</td> <td>-</td> </tr> </table>	SIZE	A3	CAGE CODE	4AFU8	DRAWING NO	1060-16-01XX	RESTRICTED TO	-
0 PLC	±																									
1 PLC	±																									
2 PLC	±																									
3 PLC	±.025 [0.64]																									
4 PLC	±																									
ANGLES	±																									
APPLICATION SPEC	114-151000																									
WEIGHT	0.33 g																									
SIZE	A3	CAGE CODE	4AFU8	DRAWING NO	1060-16-01XX	RESTRICTED TO	-																			
MATERIAL 3	FINISH SEE TABLE	Customer Drawing	SCALE 6:1	SHEET 1 OF 1	REV L																					