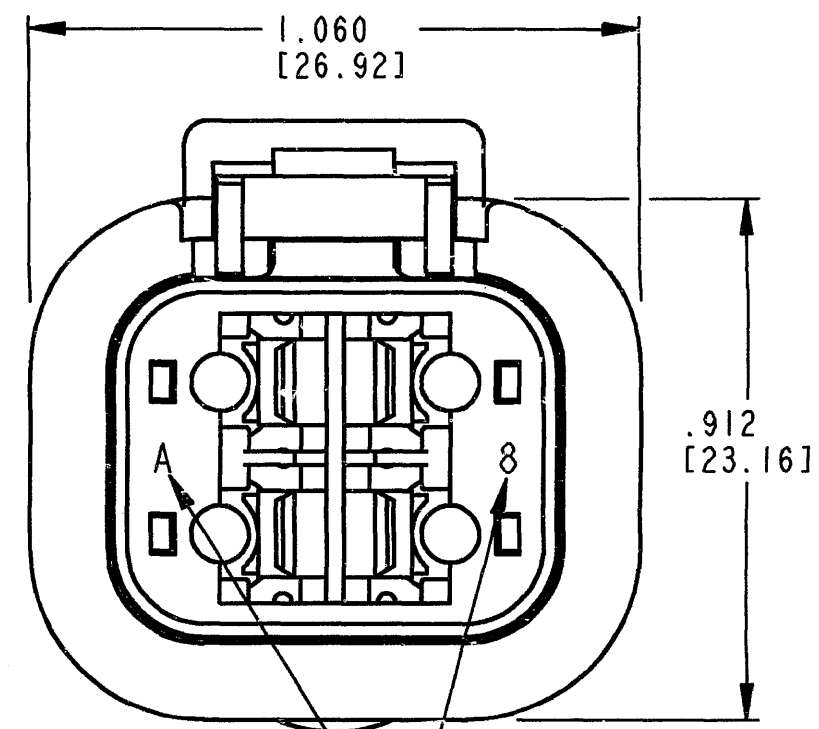
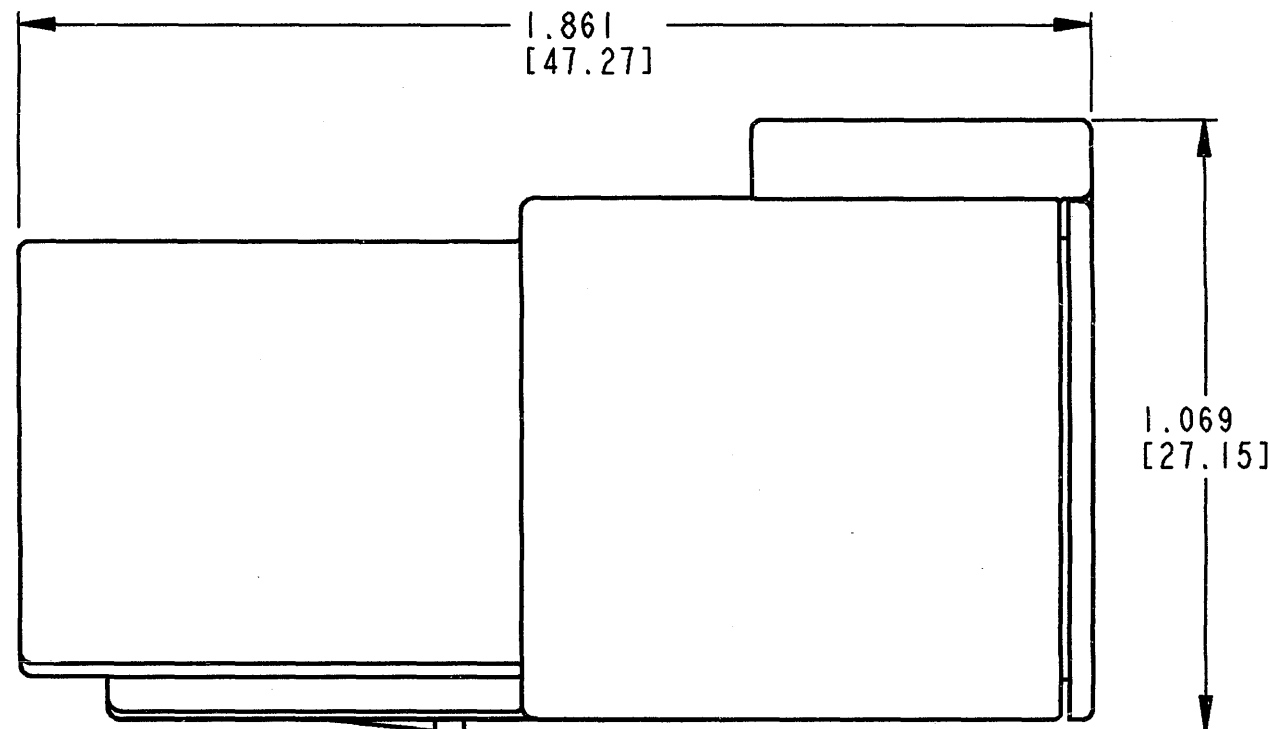
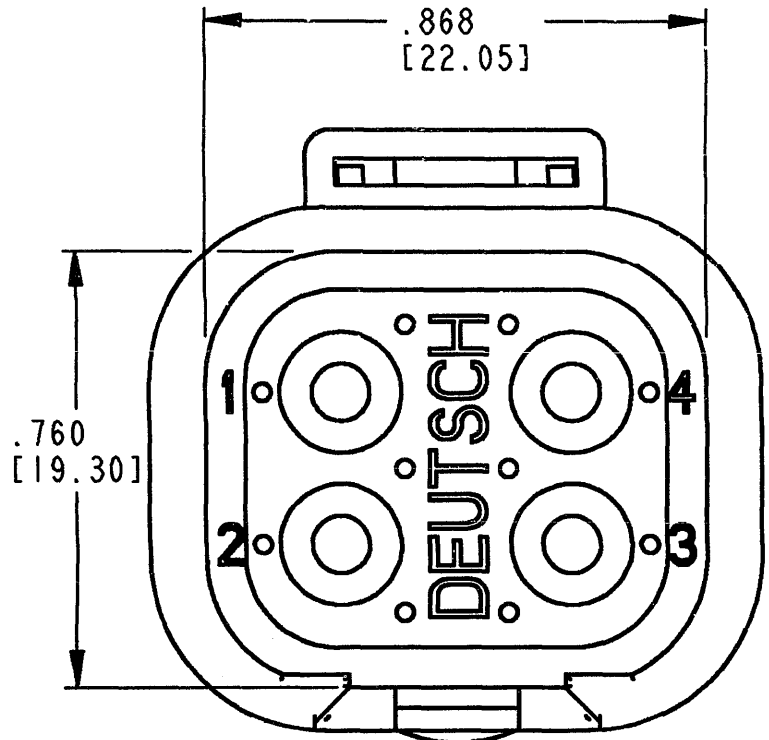


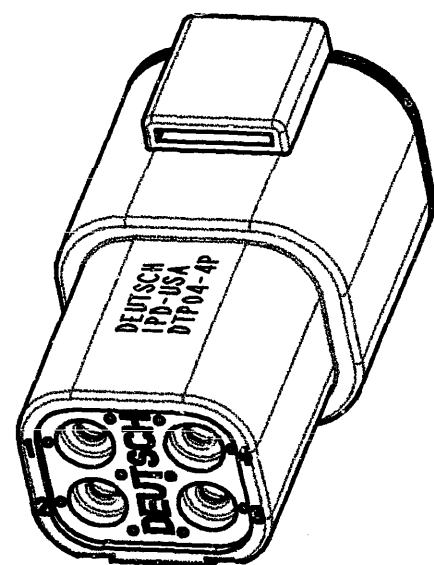
REV
B **DTP04-4P**

REVISIONS			
SYM	DESCRIPTION	DATE	APPROVED
NC	NEW RELEASE PER E.O. P15534	01/29/98	R.D.R.
A	REVISED PER E.O. P17088	1-23-01	R.D.R.
B	REVISED PER E.O. P17309	6-14-01	RDR



DATE CODE: MONTH IS REPRESENTED BY SEQUENTIAL ALPHA CHARACTERS. EX: A=JANUARY; YEAR IS REPRESENTED BY LAST NUMERICAL DIGIT. EX: 8=2008

- 6. MATERIAL: HOUSING/SLEEVE: PLASTIC
GROMMET/SEAL: RUBBER
 - 5. THIS RECEPTACLE MATES WITH DTP06-4S-**** PLUG.
(**** = ALL MODIFICATIONS)
 - △ FOR CONTACT AND WIRE PERFORMANCE AND APPLICATION CHARACTERISTICS SEE ENVELOPE DRAWING 0425-015-0000.
 - 3. SECONDARY WEDGE LOCK SOLD SEPARATELY, WP-4P.
 - 2. DIMENSION TOLERANCE: ±.025 [.64].
 - 1. DIMENSIONS ARE IN INCHES [mm].
- NOTES: UNLESS OTHERWISE SPECIFIED




3D VIEW

CONTACT SIZE	MIN. INSUL. O.D.	MAX INSUL. O.D.	WIRE RANGE [mm ²] REF ONLY	△ 4
12	.134 [3.40]	.170 [4.32]	10-14 AWG [5.0-2.0]	

SIGNATURE & DATE	
DR	D. MEYER 01/28/98
CHK	D. Kolinski 6/12/01
PE	D. Meyer 6/12/01
APPD	R. Road 6-14-01
SCALE	NONE WT

RECEPTACLE
4 CONTACTS, SIZE 12
COLOR: GREY
DTP SERIES

ENVELOPE

CP	MATL. CODE
The Deutsch Company  DEUTSCH I.P.D. 3850 INDUSTRIAL AVE. HEMET, CALIF. 92545	
B	DTP04-4P
DWG SIZE	CODE 11139 SHEET OF