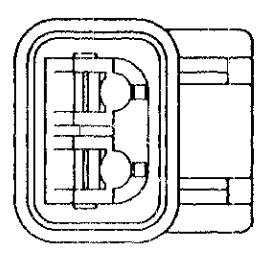
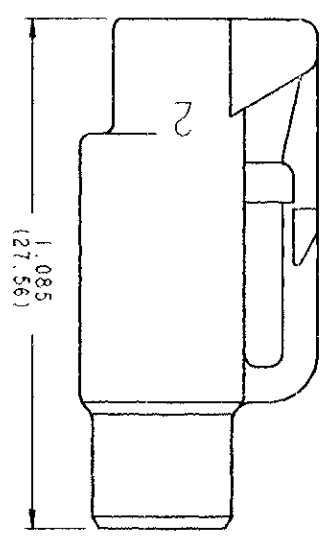
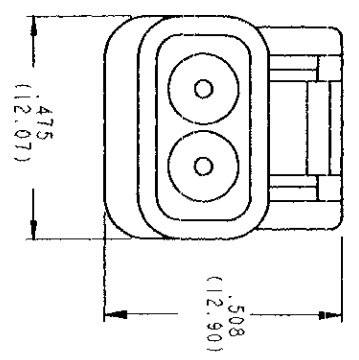


REV NC DTM06-2S

SYM	DESCRIPTION	DATE	APPROVED
NC	NEW RELEASE PER E.O. 114874	7-22-95	ADP



- NOTES:
1. ALL DIMENSIONS ARE IN INCHES (METRIC).
 2. ALL DIMENSIONS ARE FOR REFERENCE ONLY.
 3. CONSULT FACTORY FOR CONTACT SPECIFICATION AND APPLICATION.

DR	SIGNATURE & DATE
CHK	V. TOMSA FEB-28-94
PE	<i>[Signature]</i> 7-21-95
APPD	<i>[Signature]</i> 7-21-95
SCALE	4:1 WT

PLUG
2 SKT. CONT. #20
DTM SERIES
ENVELOPE

CP MTL CODE

The Deutsch Company
 DEUTSCH I, P. O.
 37140 INDUSTRIAL AVE.
 HEWETT, CALIF. 92343

B DTM06-2S
 CODE SHEET 1 OF 1