

REV
NC **DTM04-08P***

REVISIONS			
SYM	DESCRIPTION	DATE	APPROVED
NC	NEW RELEASE PER E.O. P17232	4-19-01	RDR

7. SEE SHEET 2 FOR OTHER KEY ARRANGEMENTS.
6. MATERIAL - HOUSING: PLASTIC; GROMMET: RUBBER.
5. THIS RECEPTACLE MATES WITH DTM06-08S*-**** PLUG.
(* = A,B,C,D KEYS; **** = ALL MODIFICATIONS)
4. FOR CONTACT AND WIRE PERFORMANCE AND APPLICATION CHARACTERISTICS SEE ENVELOPE DRAWING 0425-015-0000.
3. SECONDARY WEDGE LOCK SOLD SEPARATELY: WM-8P.
2. DIMENSION TOLERANCE: ±.025 [1.64].
1. DIMENSIONS ARE IN INCHES [mm].

NOTES: UNLESS OTHERWISE SPECIFIED

CONTACT SIZE	MIN. INSUL. O.D.	MAX. INSUL. O.D.	WIRE RANGE [mm ²] REF ONLY
20	.053 [1.35]	.120 [3.05]	16-22 AWG [1.0-0.5]

SIGNATURE & DATE	
DR	J. APOSTOL 16 APR 2001
CHK	<i>[Signature]</i> 4/18/01
PE	<i>[Signature]</i> 4/17/01
APPD	<i>[Signature]</i> 4-19-01
SCALE	NONE WT _____

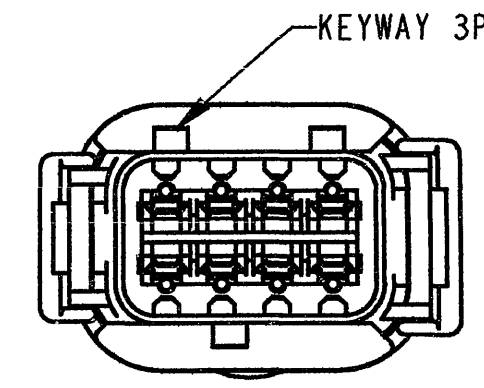
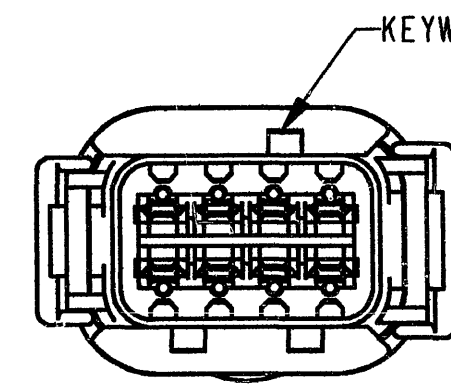
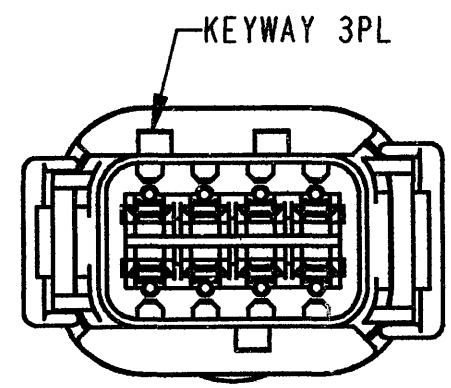
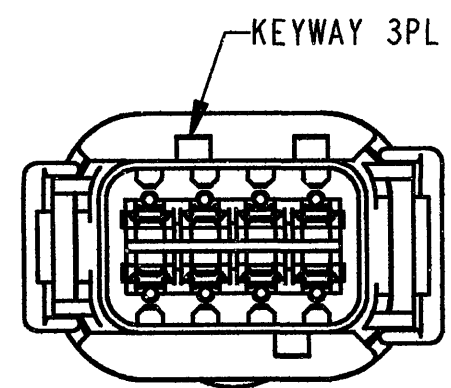
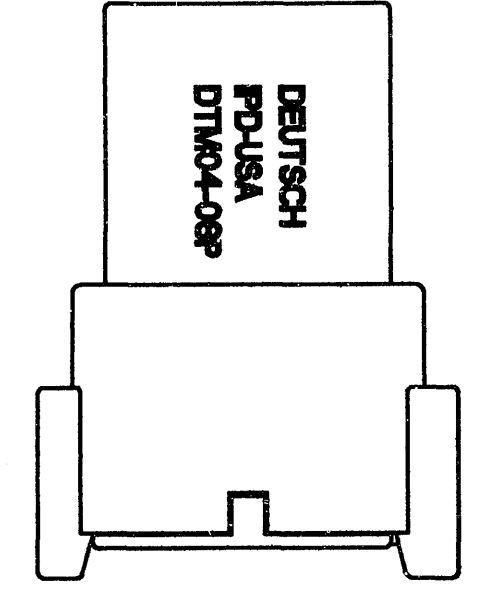
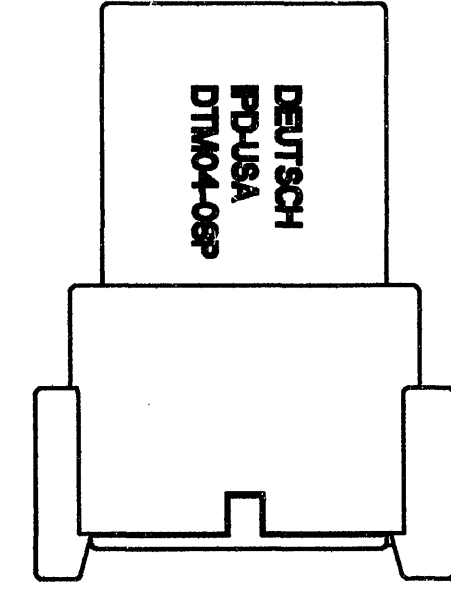
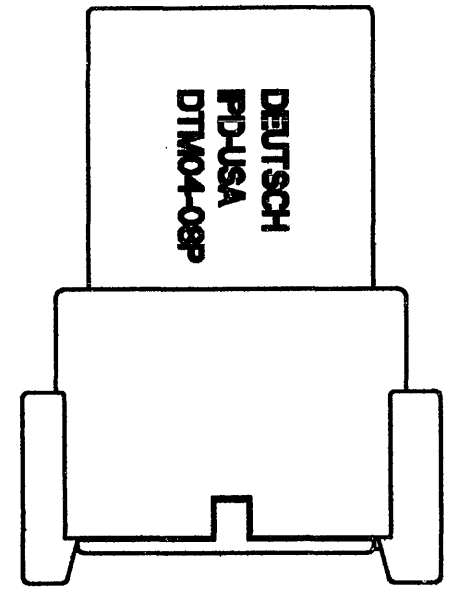
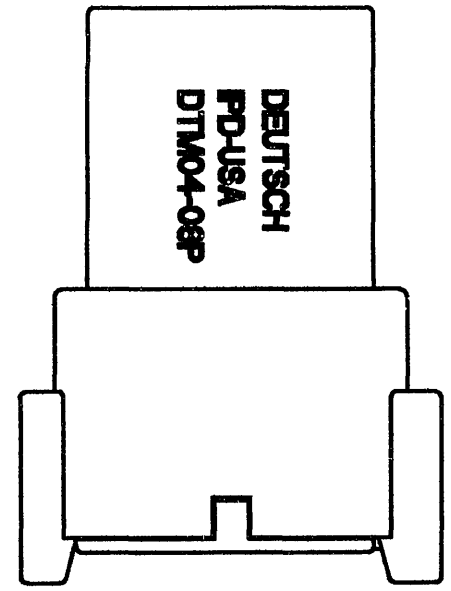
RECEPTACLE
8 CONTACTS, SIZE 20
A, B, C, D KEYS
DTM SERIES

ENVELOPE

CP	MATL. CODE
The Deutsch Company DEUTSCH I.P.D. 3850 INDUSTRIAL AVE. HEMET, CALIF. 92545	
B	DTM04-08P*
DWG SIZE	CODE 11139 SHEET 1 OF 2

REV
NC **DTM04-08P***

REVISIONS			
SYM	DESCRIPTION	DATE	APPROVED
	SEE SHEET ONE	4-19-01	<i>ABR</i>



DTM04-08PA
KEY -A-
COLOR: GREY

DTM04-08PB
KEY -B-
COLOR: BLACK

DTM04-08PC
KEY -C-
COLOR: GREEN


DTM04-08PD
KEY -D-
COLOR: BROWN

NOTES:

SIGNATURE & DATE	
DR	<i>J. APOSTOL</i> 16APR2001
CHK	<i>R. Kelly</i> 4/18/01
PE	<i>D. May</i> 4/17/01
APPD	<i>R. Reed</i> 4-19-01
SCALE	NONE WT _____

RECEPTACLE
8 CONTACTS, SIZE 20
A, B, C, D KEYS
DTM SERIES

ENVELOPE

CP	MATL. CODE
The Deutch Company  DEUTSCH I.P.D. 3850 INDUSTRIAL AVE. HEMET, CALIF. 92545	
B	DTM04-08P*
DWG SIZE	CODE 11139 SHEET 2 OF 2