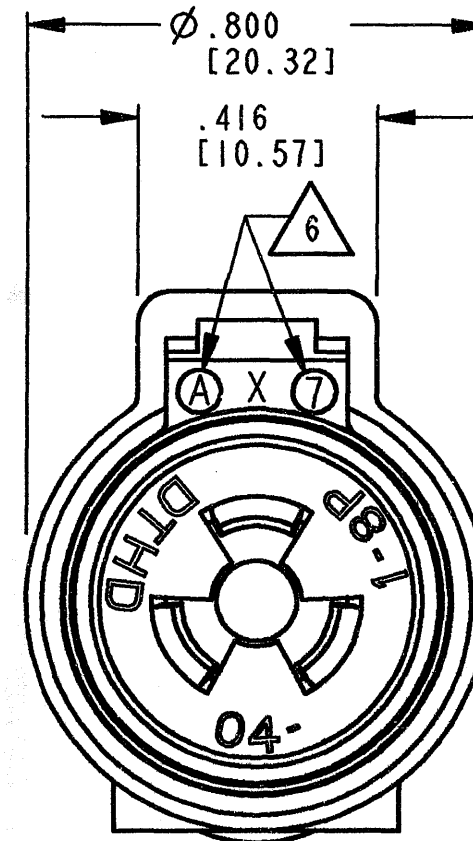
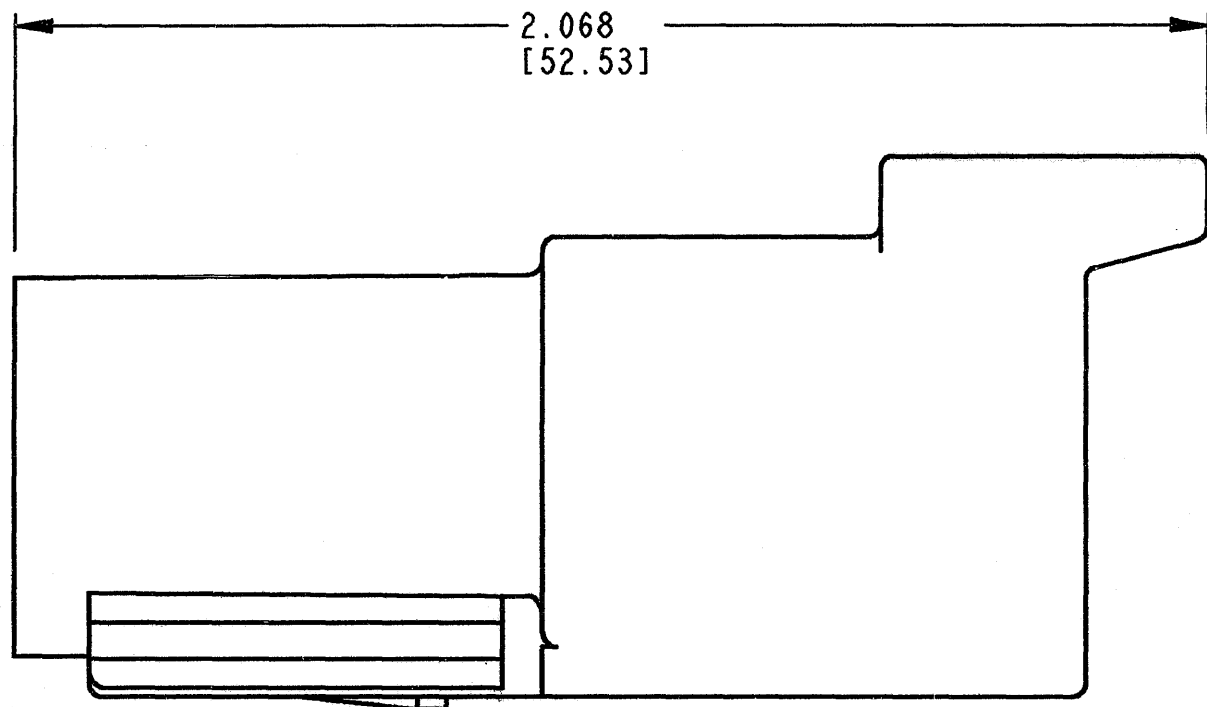
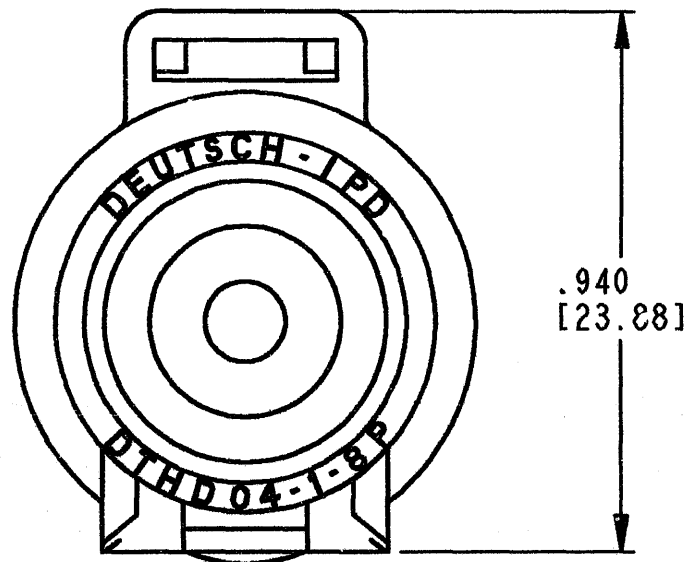


REV  
A  
**DTHD04-1-8P**

REVISIONS			
SYM	DESCRIPTION	DATE	APPROVED
NC	NEW RELEASE PER E.O. A14636	12/06/94	R.D.R.
A	REVISED PER E.O. P18601	6-29-04	RDR



△ DATE CODE: MONTH IS REPRESENTED BY SEQUENTIAL ALPHA CHARACTERS. EX: A = JANUARY.  
YEAR IS REPRESENTED BY LAST NUMERIC DIGIT. EX: 2 = 2002.

5 MATERIAL: HOUSING: PLASTIC, GROMMET: RUBBER.

△ THIS RECEPTACLE MATES WITH DTHD06-1-8S-\*\*\*\* PLUG.  
(\*\*\*\* = ALL MODIFICATIONS)

3 FOR CONTACT AND WIRE PERFORMANCE AND APPLICATION CHARACTERISTIC  
SEE ENVELOPE DRAWING 0425-015-0000.

2 DIMENSION TOLERANCE: ±.025 [.64].

1 DIMENCIONS ARE IN INCHES [mm].

NOTES: UNLESS OTHERWISE SPECIFIED.

WIRE INSULATION DIA			
CONTACT SIZE	MINIMUM O.D.	MAXIMUM O.D.	WIRE RANGE [mm <sup>2</sup> ] REF. ONLY △ 4
8	.190 [4.83]	.240 [6.09]	8 - 10 AWG [8.0-5.0]

SIGNATURE & DATE	
DR	J. HAYNES 10/08/99
CHK	<i>[Signature]</i>
PE	<i>[Signature]</i> JUN-10-04
APPD	<i>[Signature]</i> 6/21/04
SCALE	NONE WT

**RECEPTACLE  
#8 HD CONTACT  
DTHD SERIES  
COLOR: BLACK**

ENVELOPE

CP	MATL. CODE
<b>The Deutch Company</b> DEUTSCH I.P.D. 3850 INDUSTRIAL AVE. HEMET, CALIF. 92545	
<b>B DTHD04-1-8P</b>	
DWG SIZE	SHEET   OF