
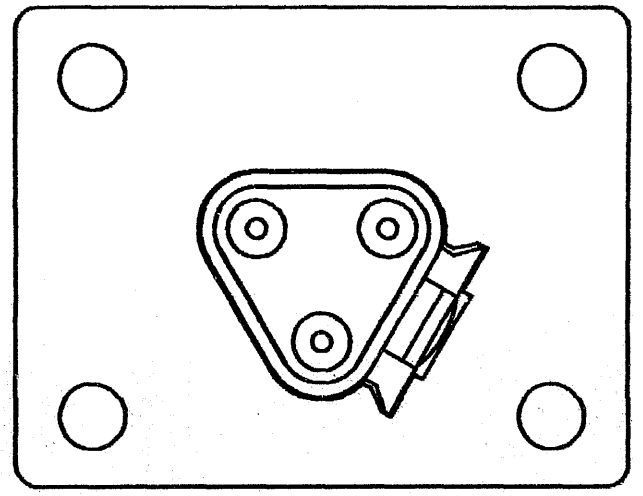
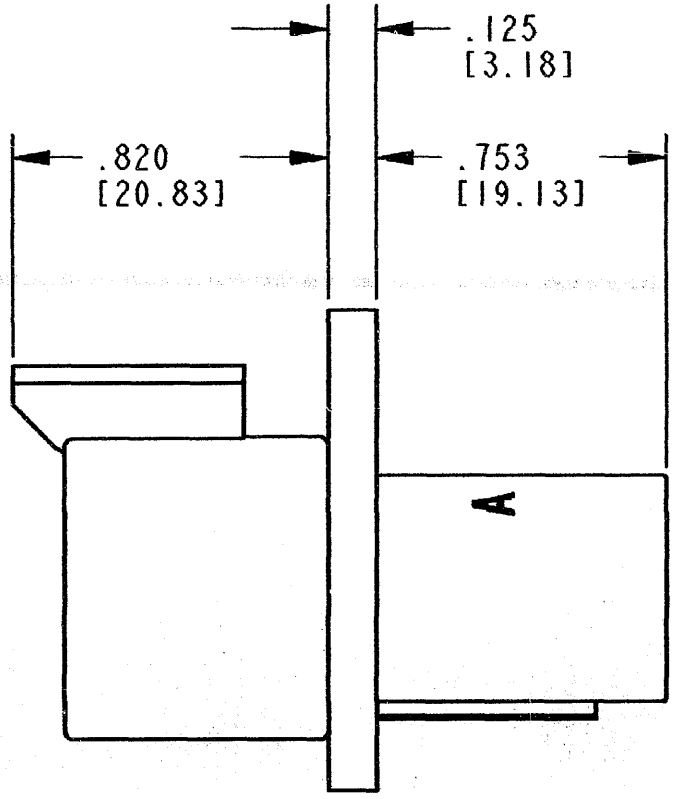
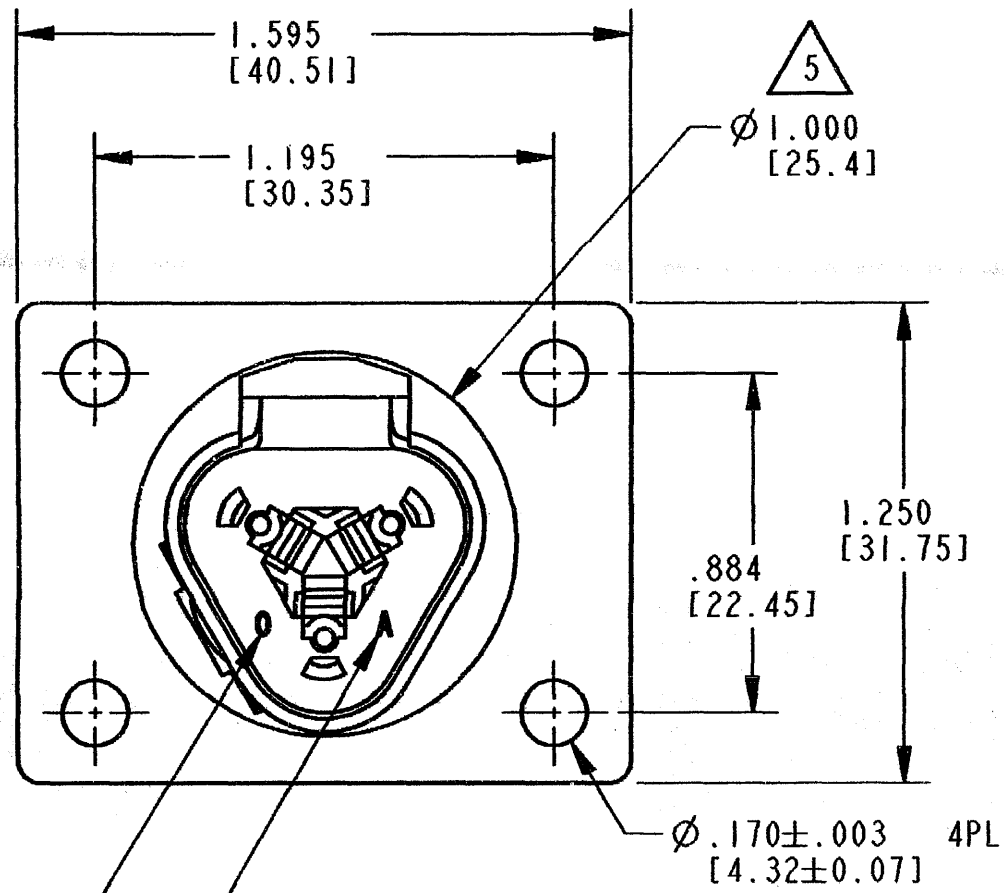


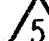
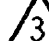
CONTACT SIZE	MIN. INSUL. O.D.	MAX. INSUL. O.D.	WIRE RANGE [mm ²] REF 
16	.088 [2.24]	.145 [3.68]	14-20 AWG [2.0-0.5]

REV B DT04-3P-L012

REVISIONS			
SYM	DESCRIPTION	DATE	APPROVED
NC	NEW RELEASE PER E.O. A14887	8/18/95	R.D.R.
A	REVISED PER E.O. P18489	4/20/04	R.D.R.
B	REVISED PER E.O. P19497	4-13-07	RDR




DATE CODE: SEQUENTIAL ALPHA CHARACTERS REPRESENT MONTH (EX: A= JANUARY).
 DATE CODE: YEAR REPRESENTED BY LAST NUMERICAL DIGIT (EX: 0= 2000).

-  5. OUTLINE SHOWN FOR PANEL CUT OUT.
 - 4. THIS RECEPTACLE MATES WITH DT06-3S-**** PLUG (**** = ALL MODIFICATIONS). CONSULT FACTORY FOR MODIFICATIONS.
 -  3. FOR CONTACTS AND WIRE PERFORMANCE AND APPLICATION CHARACTERISTICS SEE ENVELOPE DRAWING 0425-015-0000 AND 0425-017-0000.
 - 2. DIMENSIONS ARE ±.025 [0.63] UNLESS OTHERWISE SPECIFIED.
 - 1. DIMENSIONS ARE IN INCHES [MILLIMETERS].
- NOTES:

SIGNATURE & DATE	
DR	X. SANCHEZ 18FEB04
CHK	<i>R. Byrd</i> 4/10/07
PE	<i>R. Morgan</i> 5/21/07
APPD	<i>S. Beard</i> 3-21-07
SCALE	NONE
WT	_____

3 WAY RECEPTACLE
 FLANGE MOUNT
 -L012 MOD.
 DT SERIES

EP	MATL. CODE
The Deutsch Company  DEUTSCH I.P.D. 3850 INDUSTRIAL AVE. HEMET, CALIF. 92545	
B	DT04-3P-L012
DWG SIZE	CODE 11139 SHEET OF

ENVELOPE