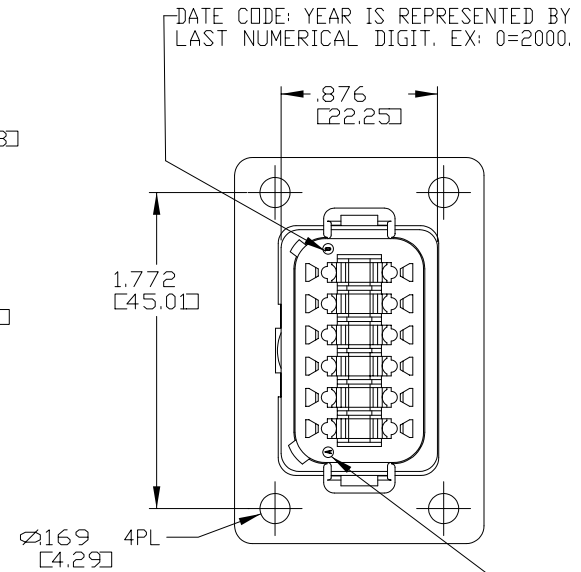
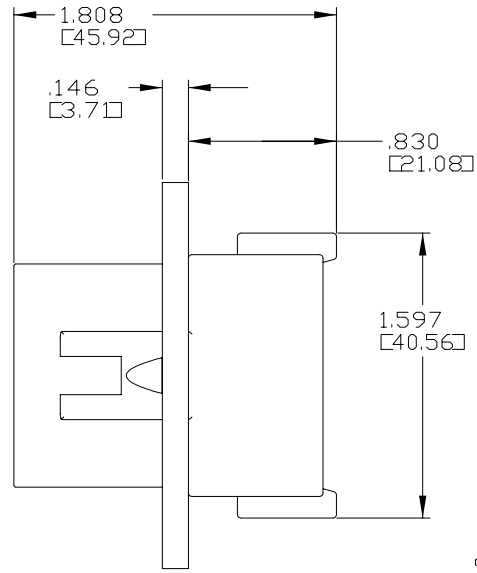
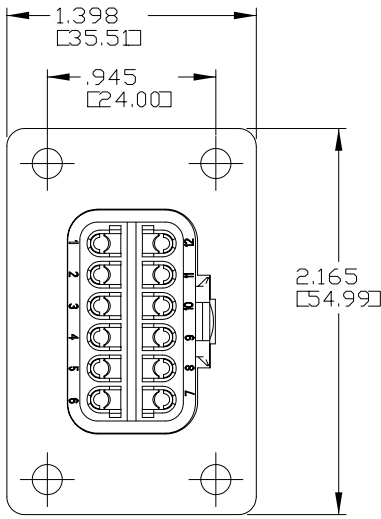
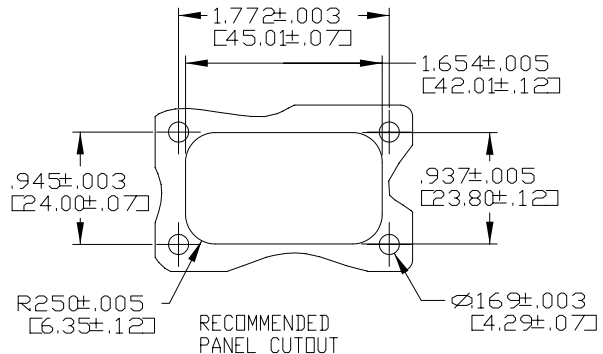


REV B DT04-12PA-L012

REVISIONS			
SYM	DESCRIPTION	DATE	APPROVED
NC	NEW RELEASE PER E.O. A14750	10/13/94	R.D.R
A	REVISED PER E.O. P15747	08/12/98	R.D.R
B	REVISED PER E.O. P16939		



DATE CODE: YEAR IS REPRESENTED BY LAST NUMERICAL DIGIT. EX: 0=2000.

DATE CODE: MONTH IS REPRESENTED BY SEQUENTIAL ALPHA CHARACTERS. EX: A=JANUARY

4. THIS RECEPTACLE MATES WITH DT06-12SA-\*\*\*\*PLUG. (\*\*\*\*=ALL MODIFICATIONS). CONSULT FACTORY FOR MODIFICATIONS.
  3. FOR CONTACTS AND WIRE PERFORMANCE AND APPLICATION CHARACTERISTICS, SEE ENVELOPE DRAWING 0425-015-0000 AND 0425-017-0000.
  2. DIMENSIONS ARE ±.025[0.63] UNLESS OTHERWISE SPECIFIED.
  1. ALL DIMENSIONS ARE IN INCHES [MILLIMETERS] UNLESS OTHERWISE SPECIFIED.
- NOTES:

SIGNATURE & DATE	
DR	T.YOHANNES 26OCT00
CHK	
PE	
APPD	
SCALE	NONE WT

RECEPTACLE HOUSING  
L012 MOD.  
DT SERIES

ENVELOPE

CP	MATL-CODE
<b>The Deutsch Company</b> DEUTSCH I.P.D. 3850 INDUSTRIAL AVE. HEMET, CALIF. 92545	
<b>DT04-12PA-L012</b>	
DWG SIZE	SHEET 1 OF 1
CODE 11139	