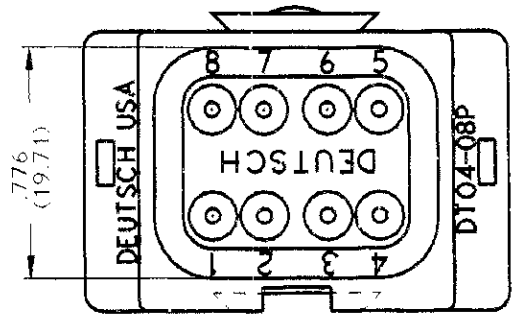
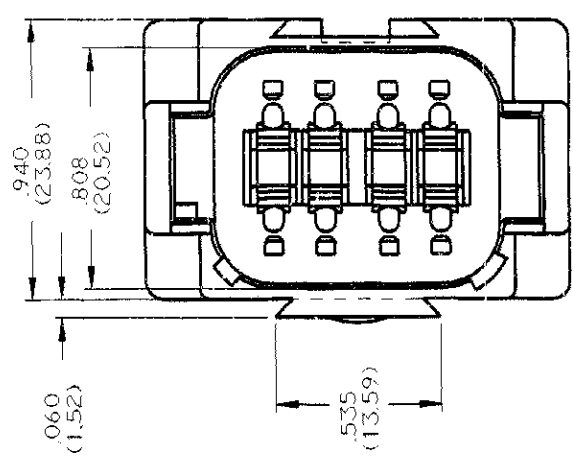
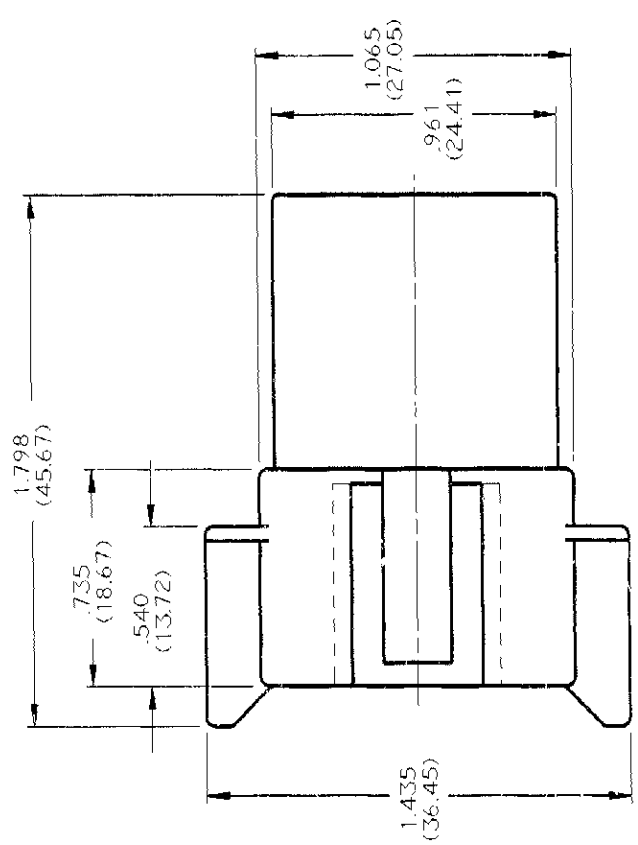


| REV F |                                     | DT04-08PA |          | REVISIONS |          |
|-------|-------------------------------------|-----------|----------|-----------|----------|
| SYM   | DESCRIPTION                         | DATE      | APPROVED | DATE      | APPROVED |
| C     | REVISED AND REDRAWN PER E.O. A09284 | 12/5/89   | JA       |           |          |
| D     | REVISED PER E.O. A09342             | 9/6/90    |          |           |          |
| E     | REVISED PER E.O. P15019             | 4/4/96    |          |           |          |
| F     | REVISED PER E.O. P15572             | 3-70-98   | NAME     |           |          |



|       |                            |                  |    |           |
|-------|----------------------------|------------------|----|-----------|
| DR    | C:\W00DRUFF 05SEF90        | SIGNATURE & DATE | CP | DATE CODE |
| CHK   | <i>[Signature]</i> 3-6-98  |                  |    |           |
| PE    | <i>[Signature]</i> 3-6-98  |                  |    |           |
| APPD  | <i>[Signature]</i> 3-20-98 |                  |    |           |
| SCALE | NONE                       | WT               |    |           |

8 WAY RECEPTACLE  
 KEY ARG. --A--  
 COLOR: GREY  
 D.T. SERIES

ENVELOPE

4. FOR MORE INFO SEE ENVELOPE DWG. 0425-017-0000 AND 0425-015-0000.  
 3. CONSULT FACTORY FOR CONTACT SPECIFICATION AND APPLICATION.  
 2. ALL DIMENSIONS ARE ±.025 (0.63) UNLESS OTHERWISE SPECIFIED.  
 1. ALL DIMENSIONS ARE IN INCHES (METRIC).

|  |    |              |
|--|----|--------------|
| The Deutsch Company  |    | DT04-08PA    |
| DEUTSCH IPD<br>3740 INDUSTRIAL AVE.<br>HEMET, CALIF. 92343 |    |              |
| DWG. NO.   | CP | SHEET 1 OF 1 |