

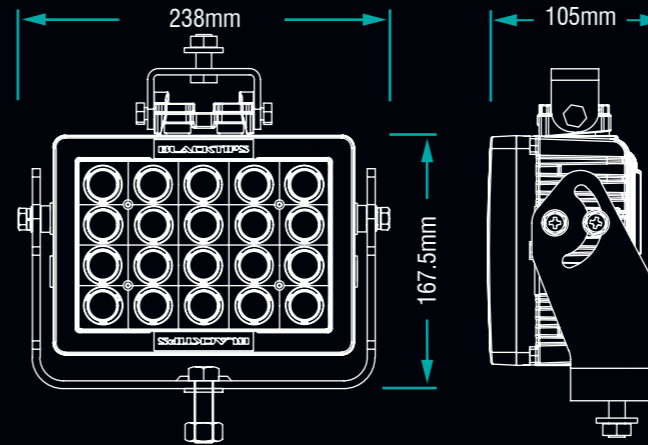


20 LED WORK LIGHT

- Outstanding Light Output
- 5 Mounting Configurations
- CISPR 25 & IP69K Rated
- CE Approved
- Marine Grade Anti-Corrosive Coating



DIMENSIONS



SPECIFICATIONS

LEDs	20 x 7W Cree
Light Colour Temp	5700K
Effective Lumens	11270
Raw Lumens	16000
Voltage	9-32V
Amperage	11.66A @ 12V
Wattage	140W
Connector	Deutsch DT04-2P
Bracket Type	Trunnion & Single Bolt
Weight	4.20kg / 9.25lb
Width	238mm / 9.37"
Height	167.5mm / 6.59"
Depth	105mm / 4.13"
IP Rating	IP69K
Vibration Rating	21.2 Grms
EMC Approval	CISPR25 Class 1 / CE Approved
Lens Material	5mm Polycarbonate
Housing Material	Aluminium
Housing Coating	Marine Grade Anti-Corrosive

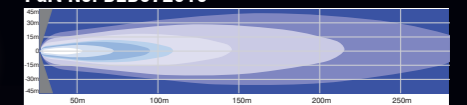
FEATURES & BENEFITS

The Blacktips 20 LED offers outstanding light output in a functional design which can be easily adjusted, with either of the supplied trunnion or single bolt bracket options. High quality construction and components enable Blacktips to withstand vibration up to 21Grms. Built-in reverse polarity protection helps prevent accidental damage caused by incorrect installation. Electronic thermal management ensures that if the light is subjected to a massive heat overload, that a self protection protocol is engaged to reduce the light output, until such time as the heat overload retreats to normal parameters.

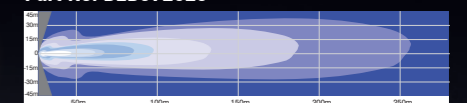
BEAM PATTERNS



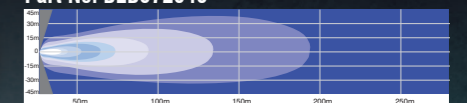
Part No. BLB072010



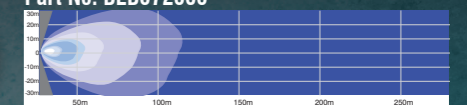
Part No. BLB072025



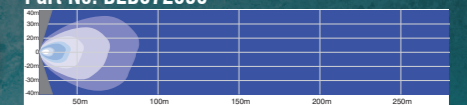
Part No. BLB072040



Part No. BLB072060



Part No. BLB072090



Part No. BLB07203065

