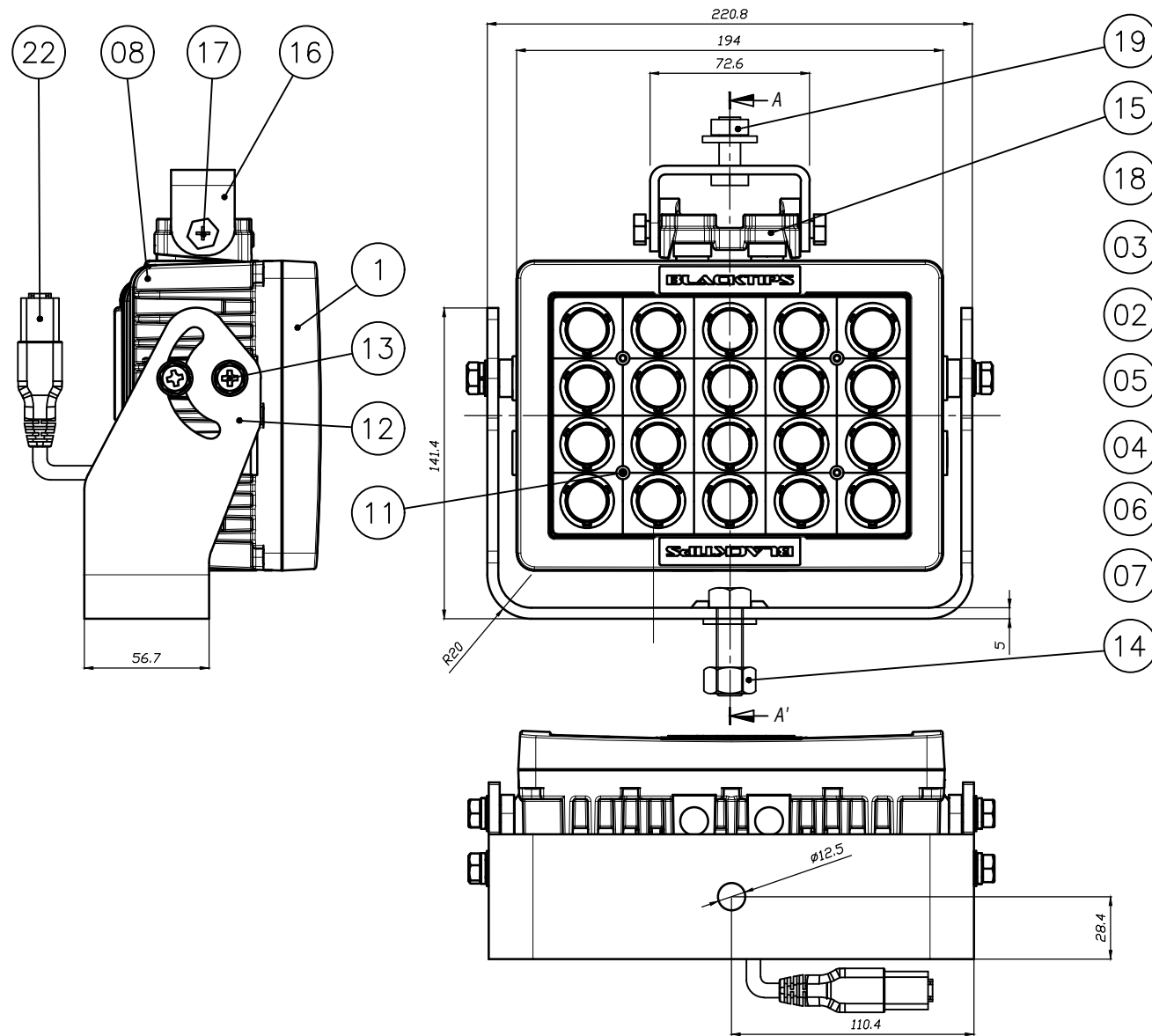
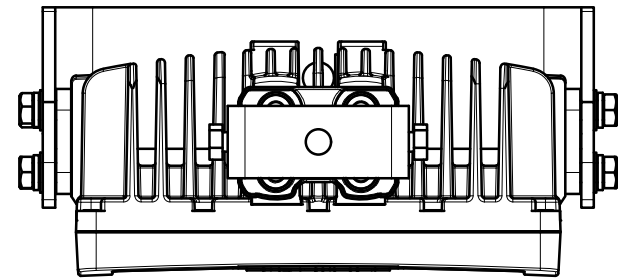


A0(420x297)

VXQF 405-4(Rev.1)

[SPECIFICATION]

1. OPERATING VOLTAGE : DC 9V ~ 32V.
2. WATTAGE : 140W
3. LED : XPL (CREE)
4. LUMINOUS FLUX : 11270(lm)
5. LENS : ACRYL
6. WEIGHT : 4200g
7. VIBRATION : 21.2 (Grms)
8. WEATHER PROOF & DUST RESISTANCE
9. BEAM ANGLE : 10, 25, 40, 60, 90, 30x65(Elliptical)
10. OPERATING TEMPERATURE : -40°C ~ 85°C
11. LIFE TIME : 50,000 (Hr)
12. IP RATING : IP68/IP69K



NO.	PART NAME	DESCRIPTION	Q'TY
01	TOP-COVER	ALDC10(AD-BLK COATING)	1
02	PC-COVER	PC(CLEAR/5.0T)	1
03	GASKET	SILICONE	1
04	REFLECTOR	PC(Vacuum Evaporation Coating)	1
05	LENZ	ACRYL	20
06	PCB ASSY	BLB 20LED	1
07	XPG BLOCK	AL/5.5T	1
08	BODY	ALDC10(AD-BLK COATING)	1
09	BOLT	ALLEN/SUS304/M4X15/BLK/NYLOK	12
10	BOLT	ALLEN/SUS304/M3X6/NYLOK	2
11	BOLT	ALLEN/SUS304/M3X12/NYLOK	9
12	TRUNNION-BRKT	PO/5T(AD-BLK COATING)	1
13	BOLT	HEX(+)/SUS304/M8X25(SAMS)/NYLOK	4
14	BOLT	HEX/SUS304/M12X40/(NYLOK)/WASHER/NYKOK	1
15	FIXTURE-BRKT	ALDC10(AD-BLK COATING)	1
16	BODY-BRKT	PO/4T(AD-BLK COATING)	1
17	BOLT	HEX(+)/SUS304/M8X12(SAMS)/NYLOK	1
18	BOLT	ALLEN/SUS304/M8X25/NYLOK	4
19	BOLT	HEX/SUS304/M10X25/(NYLOK)/WASHER/NYLOK	1
20	DAMPER	SILICONE	4
21	BOLT CAP	SILICONE	12
22	DEUTSCH-2P	RECEPTACLE:DT04-2P-E004/TERMINAL:1060-16-0122/WEDGE:W2P	1

REV.	ZONE	REVISION RECORD	
		ANGLE	
UNIT	mm	SCALE	1:1
SHEET	1/1	REV	R0
Qty	1	SIZE	A0
DESIGN :	K.J.H	DATE	15.05.08
CHECKED :	M.Y.H	DATE	15.05.08
APPROVAL :	J.S.M	DATE	15.05.08
WEIGHT :			
FINISH :			
MATERIAL :			
CODE NO. :	VXA-155-06-000-0		
PART NAME :	EXTERNAL VIEW		
MODEL NAME :	BLB0720XX		

