

12 LED

BLACKTIPS



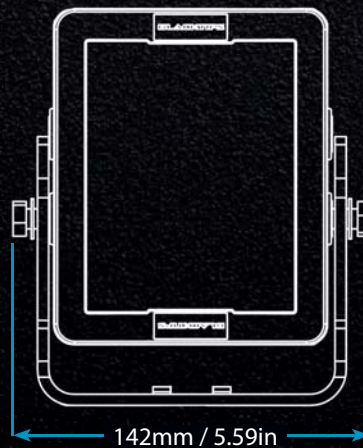
Specifications

Raw Lumens:	10,560
Effective Lumens:	6,679
Current Draw:	2.62 Amps @ 24V DC
Wattage:	84W
Weight:	2.56kg / 5.64lb
Bolt Size:	M10
Colour Temp:	5,700 Kelvin
Input Voltage:	11 - 56VDC
LED Type:	Cree XP-L
Wattage per LED:	7W
IP Rating:	IP69K
Dust Proof & Water Submersible:	3m / 9.8ft
Vibration Dampened & Shock Proof:	12.2 Grms
EMC / EMI Rating:	CISPR 25 - Class 1
Connector:	DT04-2
Lens:	Polycarbonate
Environmental Coating:	Interpon 810
Bracket Material:	4.5mm Steel Powder Coated

Available Beam Patterns

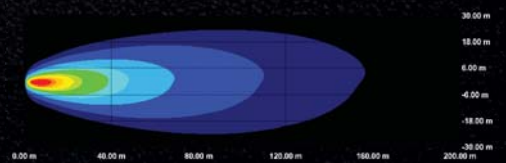
Narrow Flood Beam

Part No. BLB071225



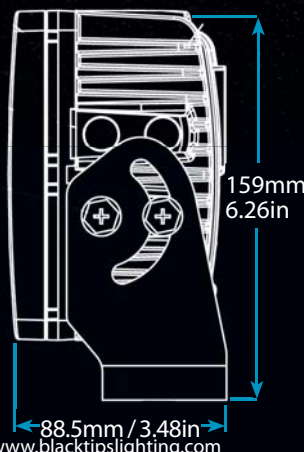
Flood Beam

Part No. BLB071240



Wide Flood Beam

Part No. BLB071260



Super Wide Flood Beam

Part No. BLB071290

Elliptical Beam

Part No. BLB0712E3065