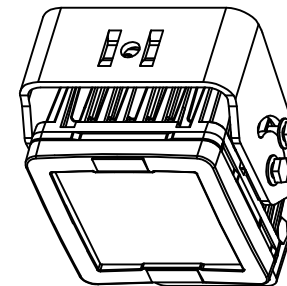
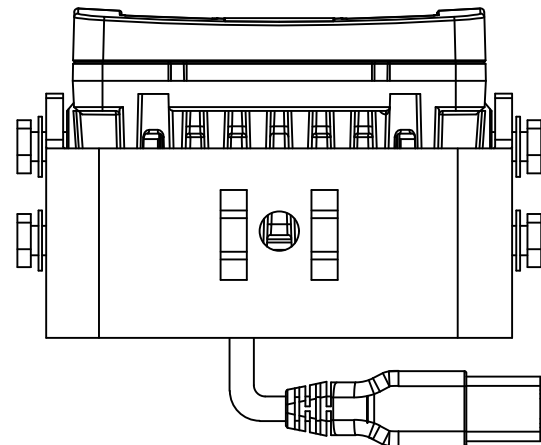
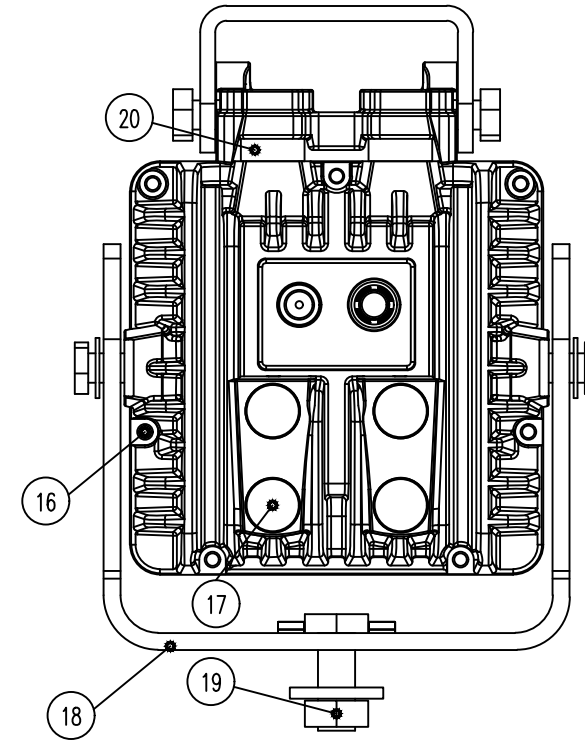
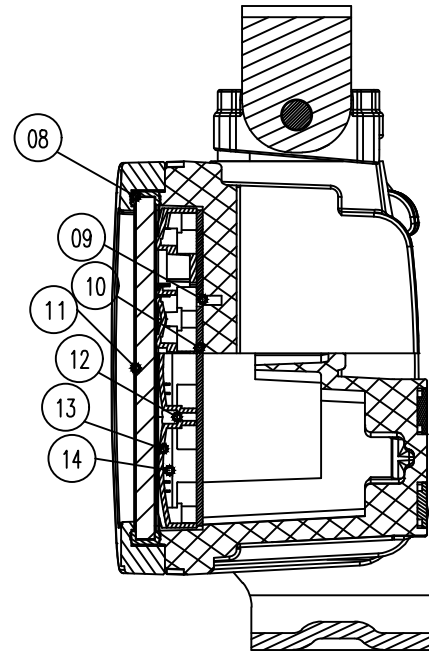
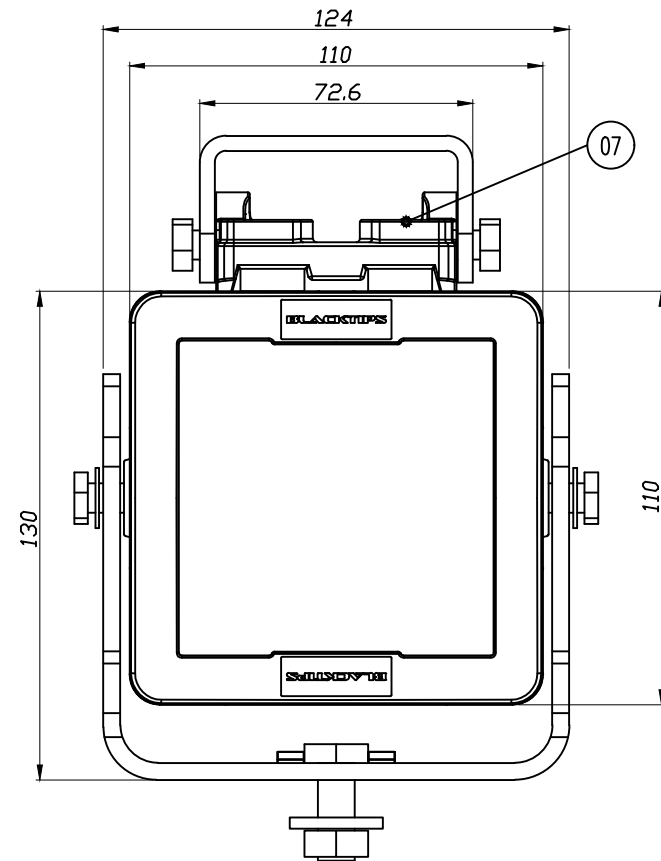
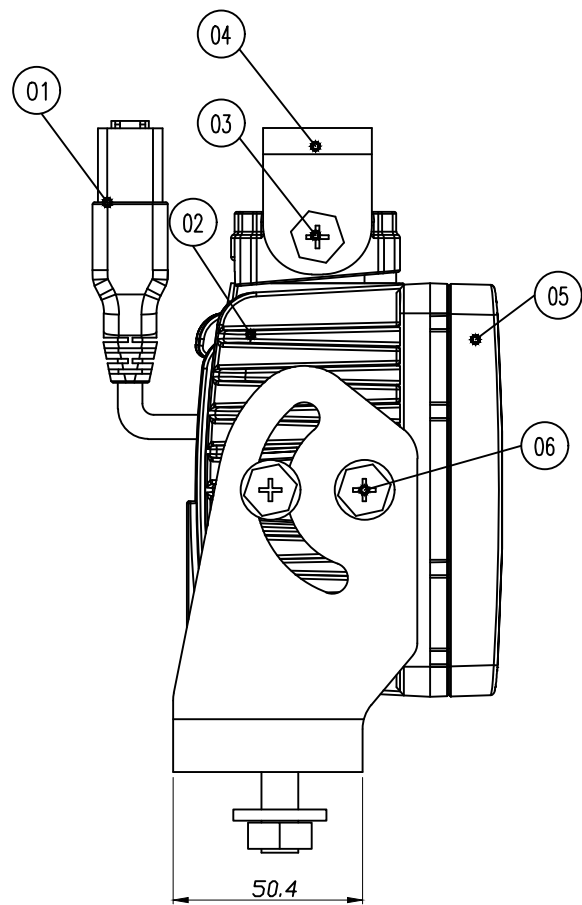
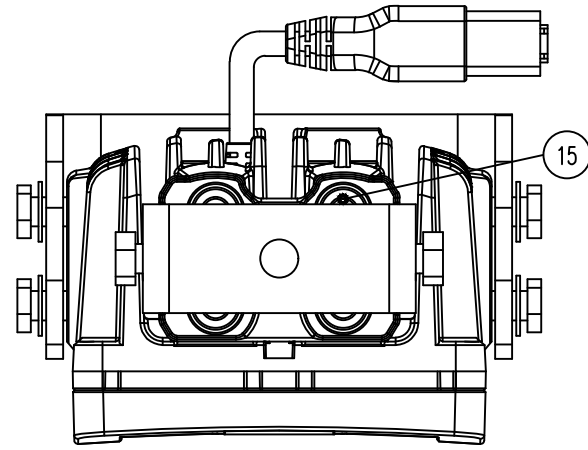


[SPECIFICATION]

1. OPERATING VOLTAGE : DC 9V ~ 32V.
2. WATTAGE : 63W
3. LED : XP-L (CREE)
4. LUMINOUS FLUX : 5734(lm)
5. LENS : ACRYL
6. WEIGHT : 1800g
7. VIBRATION : 21.2 (Grms)
8. WEATHER PROOF & DUST RESISTANCE
9. BEAM ANGLE : 25, 40, 60, 90, 30x65(Elliptical)
10. OPERATING TEMPERATURE : -40°C ~ 85°C
11. LIFE TIME : 50,000 (Hr)
12. IP RATING : IP68/IP69K

NO.	PART NO.	DESCRIPTION	Q'TY
01	CONNECTOR ASSY	RECEPTACLE: DT04-2P-E004	1
02	BODY	ALDC10(AD-BLK COATING)	1
03	BOLT	HEX(+)/SUS304/M8X12(SAMS)/NYLOK	2
04	BODY BRACKET	PO/4.0t(AD-BLK COATING)	1
05	TOP COVER	ALDC10(AD-BLK COATING)	1
06	BOLT	HEX(+)/SUS304/M8X15(SAMS)/NYLOK	4
07	FXTURE BRACKET	ALDC10(AD-BLK COATING)	1
08	GASKET	SILICONE	1
09	SCREW	TAPPING SCREW/2X8	8
10	PCB ASSY	BLB 9LED	1
11	PC COVER	PC(CLEAR/5T)	1
12	BOLT	ALLEN/SUS304/M3X6/NYLOK	4
13	REFLECTOR	PC(Vacuum Evaporation Coating)	1
14	LENS	ACRYL	9
15	BOLT	ALLEN/SUS304/M8X20/NYLOK	4
16	BOLT	ALLEN/SUS304/M4X20/BLK/NYLOK	7
17	BOLT CAP	SILICONE	4
18	TRUNNION BRACKET	PO/4.5t(AD-BLK COATING)	1
19	BOLT	HEX/SUS304/M10x25/NYLOK, NUT, WASHER	1
20	DAMPER	EPDM (80)	2



REV.	ZONE	REVISION RECORD	
		ANGLE	
UNIT	mm	SCALE	1:1
SHEET	1/1	REV	P1
Qty	1	SIZE	A1
DESIGN :	K.J.H	DATE	15.05.07
CHECKED :	M.Y.H	DATE	15.05.07
APPROVAL :	J.S.M	DATE	15.05.07
WEIGHT :			
FINISH :			
MATERIAL :			
CODE NO. : VXA-155-04-00-0			
PART NAME : EXTERNAL VIEW			
MODEL NAME : BLB0709XX			

VXQF 405-4(Rev.1)

