

9 LED

BLACKTIPS



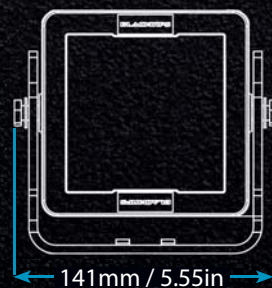
Specifications

Raw Lumens:	7,920
Effective Lumens:	5,734
Current Draw:	2.62 Amps @ 24V DC
Wattage:	63W
Weight:	1.68kg / 3.70lb
Bolt Size:	M10
Colour Temp:	5,700 Kelvin
Input Voltage:	11 - 56VDC
LED Type:	Cree XP-L
Wattage per LED:	7W
IP Rating:	IP69K
Dust Proof & Water Submersible:	3m / 9.8ft
Vibration Dampened & Shock Proof:	21.2 Grms
EMC / EMI Rating:	CISPR 25 - Class 1
Connector:	DT04-2
Lens:	Polycarbonate
Environmental Coating:	Interpon 810
Bracket Material:	4mm Steel Powder Coated

Available Beam Patterns

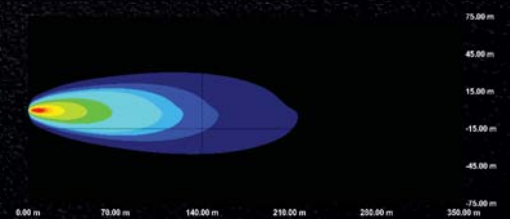
Narrow Flood Beam

Part No. BLB070925



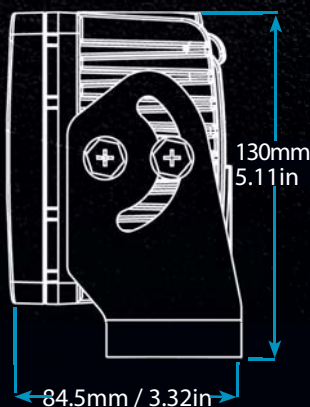
Flood Beam

Part No. BLB070940



Wide Flood Beam

Part No. BLB070960



Super Wide Flood Beam

Part No. BLB070990

Elliptical Beam

Part No. BLB0709E3065