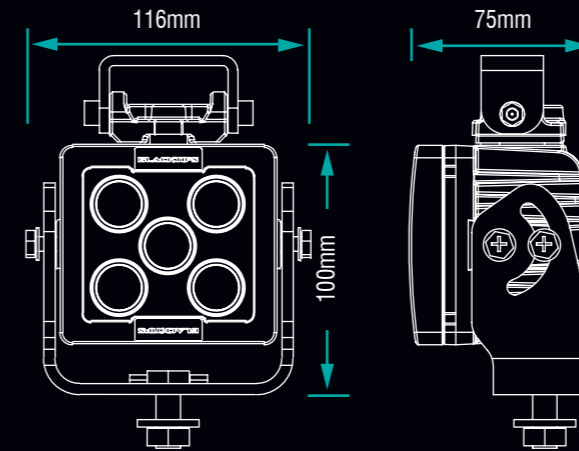




DIMENSIONS



FEATURES & BENEFITS

The Blacktips 5 LED offers outstanding light output in a compact design which can be easily adjusted,

with either of the supplied trunnion or single bolt bracket options. High quality construction and components enable Blacktips to withstand vibration up to 21Grms. Built-in reverse polarity protection helps prevent accidental damage caused by incorrect installation. Electronic thermal management ensures that if the light is subjected to a massive heat overload, that a self protection protocol is engaged to reduce the light output, until such time as the heat overload retreats to normal parameters.

Blacktips' LED work light range is a high quality, versatile range designed for industrial applications such as work bodies, utility vehicles, emergency & rescue vehicles, forklifts and more.

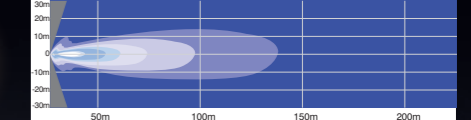
SPECIFICATIONS

| | |
|-------------------|-------------------------------|
| LEDs | 5 x 7W Cree |
| Light Colour Temp | 5700K |
| Effective Lumens | 3305 |
| Raw Lumens | 4000 |
| Voltage | 9-32V |
| Amperage | 2.92A @ 12V |
| Wattage | 35W |
| Connector | Deutsch DT04-2P |
| Bracket Type | Trunnion & Single Bolt |
| Weight | 1.00kg / 2.20lb |
| Width | 116mm / 4.56" |
| Height | 100mm / 3.93" |
| Depth | 75mm / 2.95" |
| IP Rating | IP69K |
| Vibration Rating | 21.2 Grms |
| EMC Approval | CISPR25 Class 1 / CE Approved |
| Lens Material | Polycarbonate |
| Housing Material | Aluminium |
| Housing Coating | Marine Grade Anti-Corrosive |

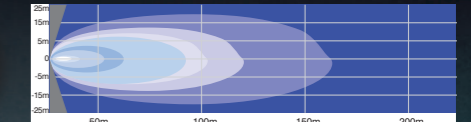
BEAM PATTERNS



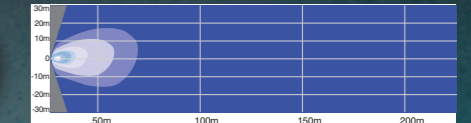
Part No. BLB070525



Part No. BLB070540



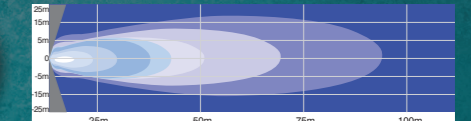
Part No. BLB070560



Part No. BLB070590



Part No. BLB07053065



5 LED WORK LIGHT

- Outstanding Light Output
- 5 Mounting Configurations
- CISPR 25 & IP69K Rated
- CE Approved
- Marine Grade Anti-Corrosive Coating

