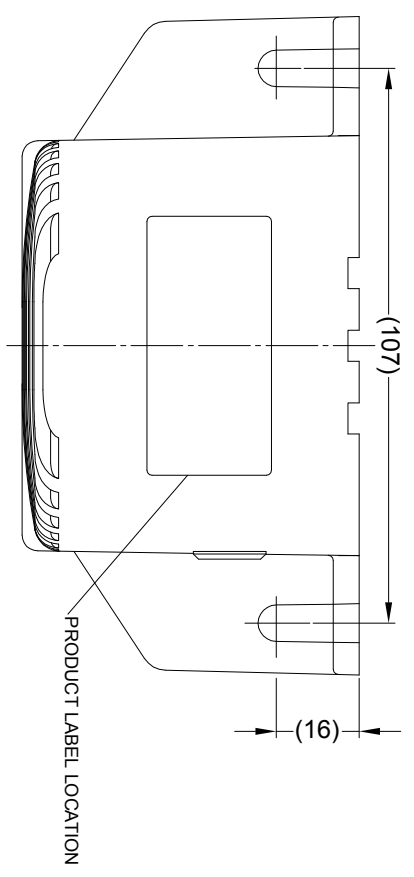
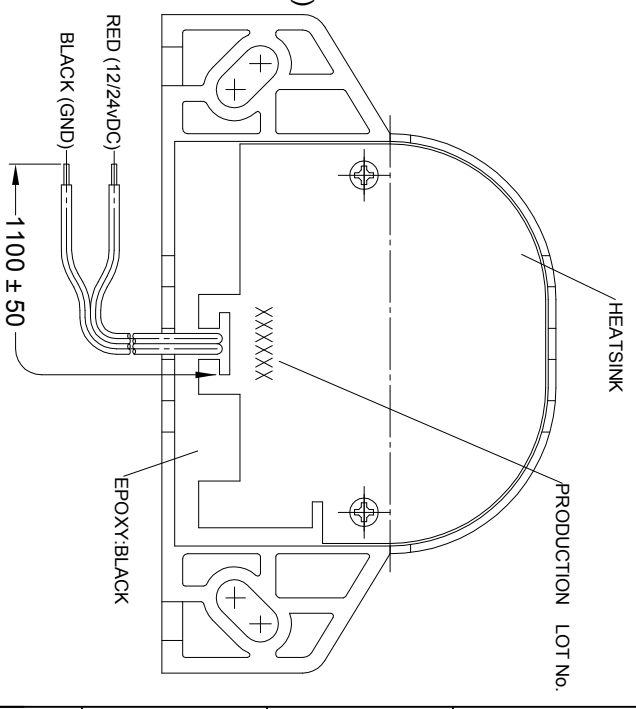
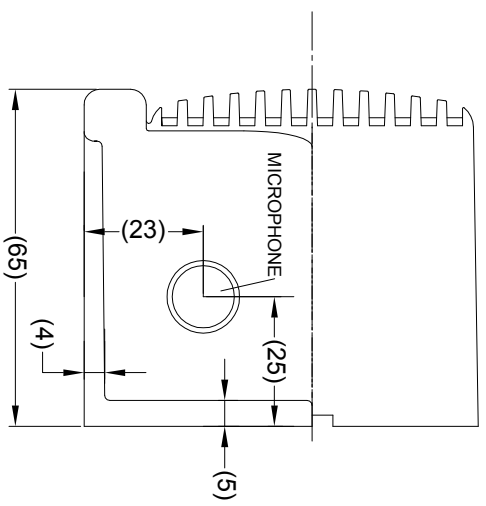
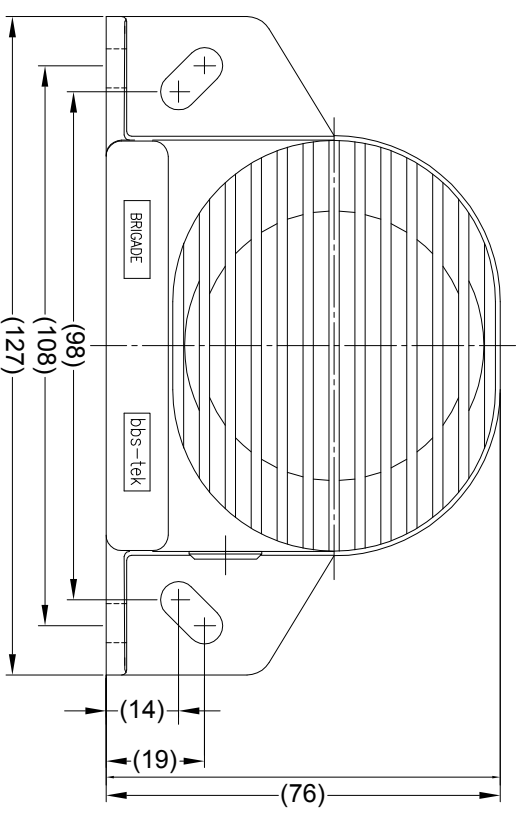


Revision Notes			
R1 - NOTES UPDATED TO INCLUDE LABEL DETAILS, STANDARDS UPDATED AS PER ECR CR-A274.			
APPA: KILDA	Drawn/BATES	Checked/M BUTLER	Approved/GILTH
			Date: 28/08/14



- SPECIFICATION:**
1. RATED VOLTAGE : 12.24 VOLTS DIRECT CURRENT (WORKING VOLTAGE RANGE 10THRU 32 VOLTS)
 2. TEST VOLTAGE : 14.28 VOLTS DIRECT CURRENT
 3. RATED CURRENT : 1 AMPERES OR LESS
 4. SOUND PRESSURE AT TEST VOLTAGE : MAX 97±4dB(A) - MIN 77±4dB(A) @ 1.2M
 5. SOUND PRESSURE SELF-ADJUSTING : +6dB±4dB TO EXTERNAL NOISE
 6. TONE: WHITE SOUND (BBS)
 7. INTERMITTENCE: 70±10 CYCLES PER MINUTE AT TEST VOLTAGES
 8. RANGE OF OPERATING TEMP. GUARANTEED: -40°C THRU 85°C
 9. ENVIRONMENTAL TESTS: SAE J1994.



- NOTES:**
1. FOR PRODUCT LABEL REFER TO LATEST REVISION OF DRAWING: BE-002833-XX-14.
 2. FOR GIFTBOX LABEL REFER TO LATEST REVISION OF DRAWING: BE-002834-XX-14.
 3. "R TRIANGLE" INDICATES CHANGES MADE TO REVISION OF DRAWING AS IDENTIFIED IN REVISION NOTES.

PROPRIETARY NOTICE
 THIS DESIGN AND TECHNICAL INFORMATION APPEARING ON THIS DRAWING IS THE PROPERTY OF BRIGADE ELECTRONICS, AND IS DISCLOSED IN CONFIDENCE. IT IS NOT TO BE COPIED, REPRODUCED, REVEALED TO OR EXPLOITED BY OTHERS, EITHER IN WHOLE OR IN PART WITHOUT THE EXPRESS WRITTEN CONSENT OF BRIGADE ELECTRONICS.

BRIGADE®
 www.brigade-electronics.com

 Angle of Projection Third Angle	Assembly PI Approval	Approved by	Checked by	Drawn by
	-	DKERAL	DKERAL	M BUTLER
	Units	Scale	Released	Assembly Ref
	mm	N/A	13/08/08	-
	Status	SA-BBS-97		
	RELEASED			
	Part No	BE-000636-01-08		
	#1399			

H
G
F
E
D
C
B
A

H
G
F
E
D
C
B
A

1 2 3 4 5 6 7 8

FrameV3