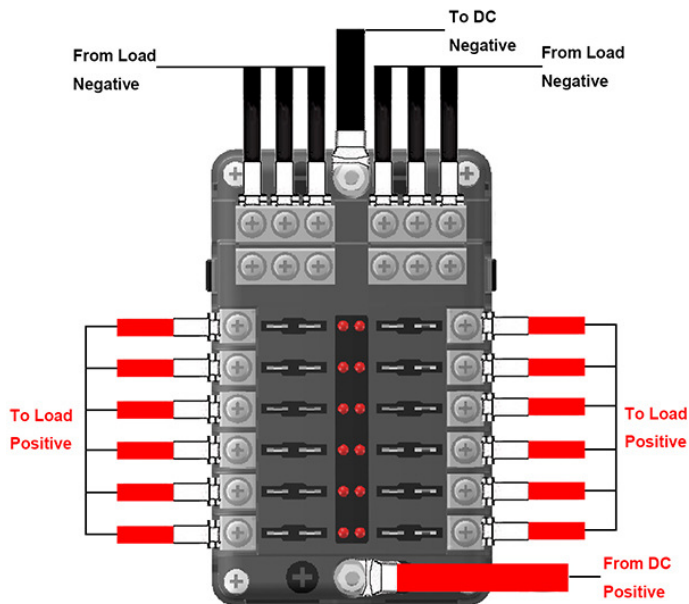


Blade Fuse Block

12 Circuits with Negative Bus

Wiring diagram



- Application Note:**
1. This device is intended for branch circuit protection.
 2. The maximum rated current of battery box is 100A.
 3. Max. 30AMP per Circuit.