

1

2

3

4

5

6

7

8

A

B

C

D

E

F

A

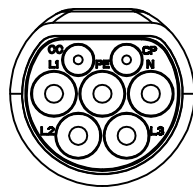
B

C

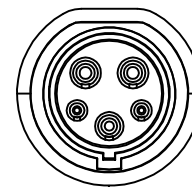
D

E

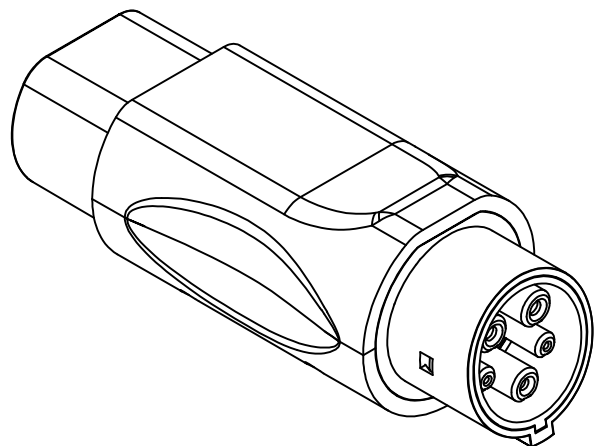
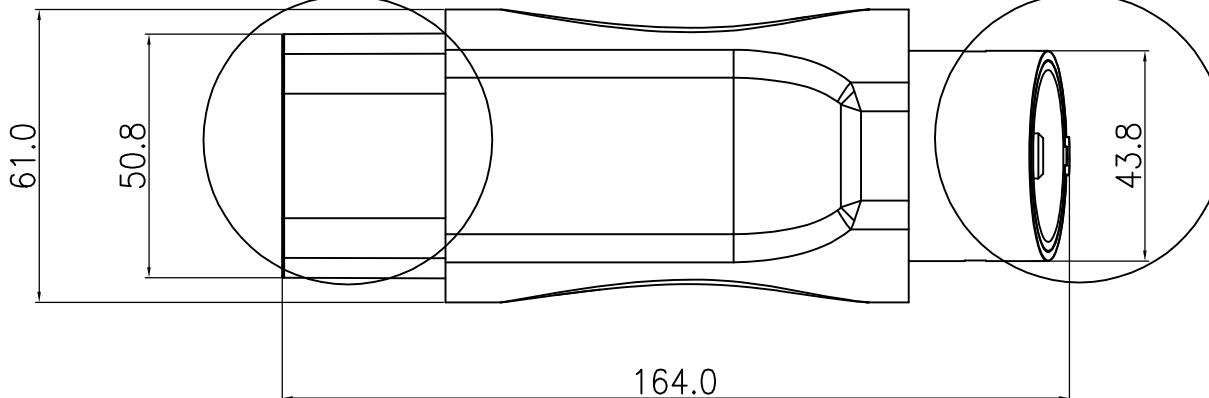
F



Connect to type2 female plug



Connect to type1 vehicles



- 1.main parameters
- 2.Rated current:32A
- 3.Rated voltage:250VAC
- 4.insulation resistance: >600MΩ ,DC500V
- 5.Fireproof grade of rubber shell: UL94V-0
- 6.Waterproof grade: IP55(mating)
- 7.Plastic shell: thermoplastic plastic)
- 8.Conductor: copper alloy, silver plated surface)
- 9.Working environment temperature lated: -30°C- +50°C

					Type2-Type1 Aapter				

1

2

3

4

5

6

7

8