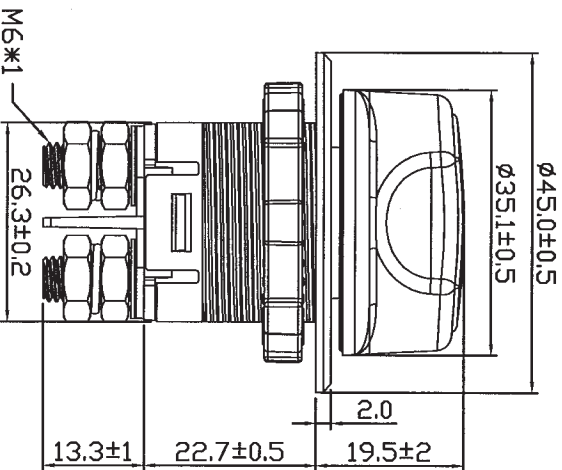
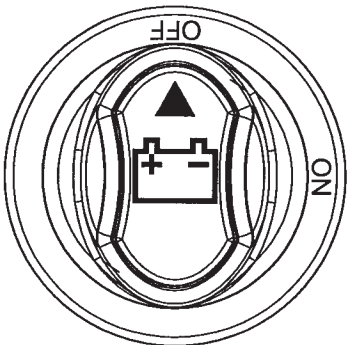
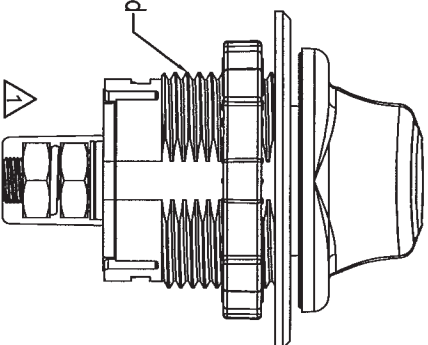


Continuous Rating	100A 32VDC Max.	Mounting Hole	Circuit Diagram	
Intermittent Rating	150 Amps		OFF	ON
Cranking Rating	500 Amps 5 sec.			
Contact Resistance	50m ohm Max			
Insulation Resistance	DC 500V 100M ohm Min			
Dielectric Strength	AC 1000V 1 minute; DC 2000V 1 minute			
Operation Temperature	-30°C~+60°C			
Switch Function	2P SPST OFF-ON			

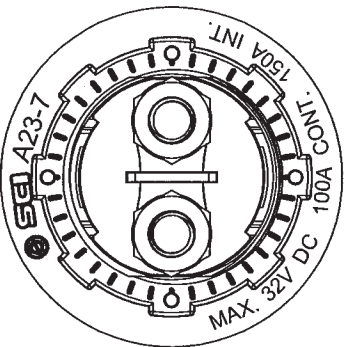
Actuator can't be taken out



28.7mm-16 thread



**\*MATERIAL:**  
Housing: Black, PA#66+33%GF  
with White hot stamping  
Actuator: Red, PBT+15%GF  
Name Plate: White, ABS  
with Black hot stamping  
Bottom: Black, PBT+15%GF  
Nut: Black, PA#66  
Bolt: Brass  
Hex Nut: Ni-plated, Brass  
1 NUT ASSY



tolerances Unless otherwise specified ±0.3

C3IW0RK14A23-7A

05/27/'16									
Date	Name	Descriptions							
Drawn	Checked	Approved	SCI BOM No.	1340050	Model Name	Battery SWITCH			
曹盈芳		曹盈芳	Customer No.		Model No.	A23-7A		REV.	
05/27/'16		5/27/16	Unit	mm				1	