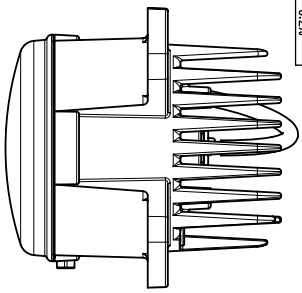
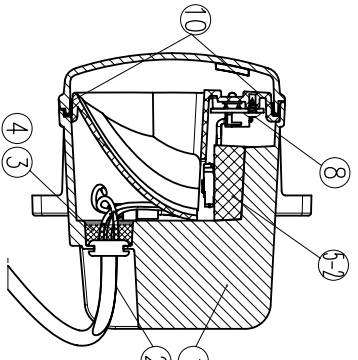


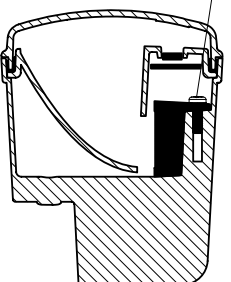
GENERAL TOLERANCE	
DIMENSION	TOLERANCE
0 JP~10	±0.1
10 JP~30	±0.15
30 JP~60	±0.2
60 JP~100	±0.3
100 JP~150	±0.4
150 JP~250	±0.5
250 JP~	0.2%



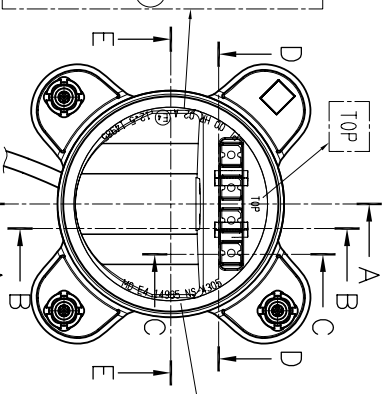
SECTION A-A



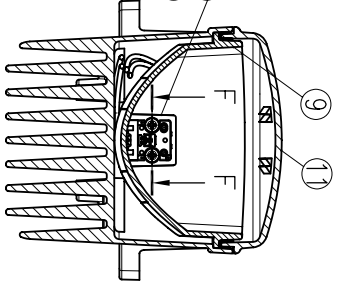
SECTION B-B



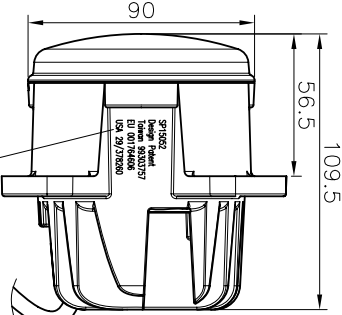
SECTION C-C



SECTION D-D



SECTION E-E



SECTION F-F

SP15052  
 Design Patent  
 Taiwan 93303757  
 EU 001764606  
 USA 29/378280

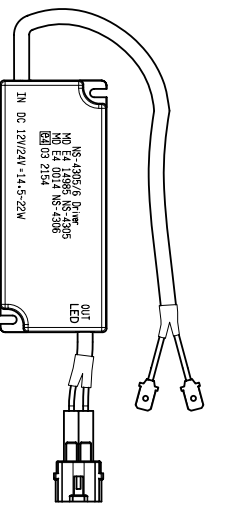
PL 00 HR 02 A (E4) 12.5 14985

MD E4 14985 NS-4305

F.P. 12/24V:1W

Driver  
 12/24V:14.5W

E4 03 2154



NOTE: 1. Ⓞ It's key dimension. (Ⓞ 為關鍵尺寸)  
 2. Refer to standard tolerance chart unless otherwise mark.  
 (凡未標註之公差皆為一般公差)

SWM	DCN	Date	Revision note	Signature	Checked
△		2011.03.08	To renew the drawing 重新圖面	蔡晏欣	Ricky
△					
△					

No.	SYM	Part No.	Part Name	Material	Qty	Remark
A		56#994305N01	Driver ASSY 4305驅動器組		1	
15		24-994301N01	Tulip 固定片	POM	3	Black 黑
14		11-994301N01	Adjusting Screw 調整螺絲	SMRCH-6A	3	M4xP0.7xL16
13		26-994301N01	Adjusting Base 調整基	POM	3	White 白
12	△	32-043705N01	Core patch 防水散熱膠/支爾	Teflon	1	AI515
11		20-994305N02	Lens 散光鏡殼	PC	1	hnd coating/Kreen anti 表面膜, 綠印
10		19910261	Silicon 遮光膠膠膠	Silicon	4g	7091B/25.8kgs Black
9		01-994305N02	Reflector 4305遮光鏡反射	ABS	1	Vacuum Metallizing 真空鍍膜
8		92-0306212	Truss Head Screw 兩邊頭十字螺絲	S1006c	3	3*6 Zinc
7		21#994305N02	LED PCB ASSY 4305 散熱LED散熱殼	FR4	1	LED x4
6		93-041214K	Round Head Screw 圓頭十字螺絲	SUS	4	M4xP1.78 Zinc/Black
5-3		93-030814K	Round Head Screw 圓頭十字螺絲	SUS	2	M3xP1.58 Zinc/Black
5-2		60-994305N01	LED HeatSink 4305散熱座	ADC	1	ED/Black ED/黑
5-1		51-03901068	4 Die LED 4晶LED模組	ADC	1	LAL-CAS-0860 850nm AI A3
5		10#994305N02	LED Wire LED線組	PVC	1	LED 2Pin Housing
4	△	19910400	B Gule B膠UB305B	EPOXY	0.4g	無/200mg 4(A膠):1(B膠)
3		19910390	B Gule A膠UB305A	EPOXY	1.6g	無/200mg 4(A膠):1(B膠)
2-1		44-005	Grommet 出線環粒	EPDM	1	Black/40° 黑/40°
2		10-994305N04	Wire Harness 線組	PVC	1	
1		02-994305N02	Heatsink 4305散熱座	ADC	1	ED/Screen Print ED/綠印
		994305NACE01N	LED High Beam 4305LED燈殼			φ90mm 12/24V 位置燈

Checked	Drawn	Designed	Scale	Unit	mm	Rev	1
蔡晏欣	蔡晏欣	蔡晏欣	1:2	mm			

Dwg Name	2D Assembly	Dwg No.
		NS-994305NACE01N-A