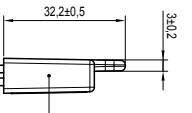
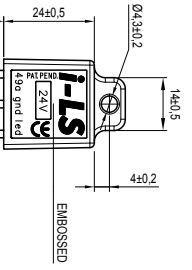
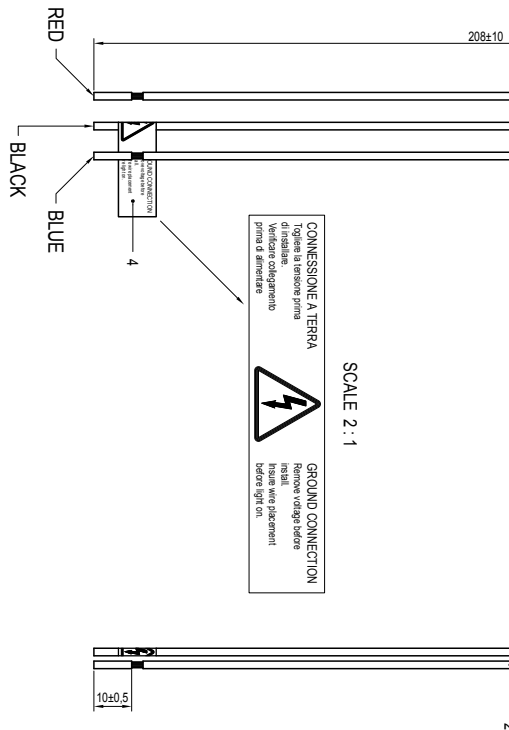


CONNECTION DIAGRAM



SCALE 2 : 1



CONNESSIONE A TERRA
 Togliere la tensione prima di installare.
 Verificare collegamenti prima di alimentare.

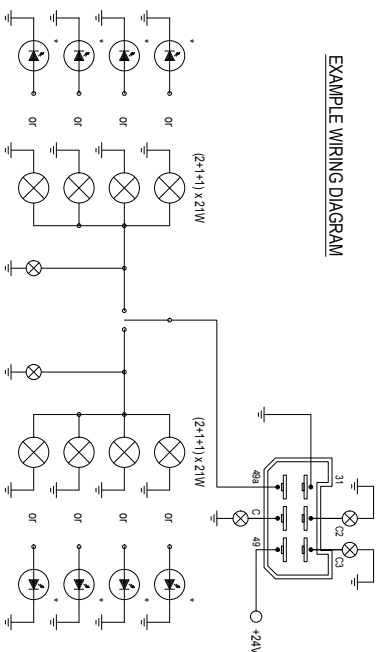
GROUND CONNECTION
 Remove voltage before install.
 Issue wire placement before light on.

TECHNICAL CHARACTERISTICS		8	9	10	11	12
RATED VOLTAGE	24 VDC					
OPERATING VOLTAGE	20.5 - 30 VDC					
TEST VOLTAGE	28V					
OPERATING LED LAMP POWER CONSUMPTION	1W + 10W @ RATED VOLTAGE					
TEST TEMPERATURE	23 °C					
OPERATING TEMPERATURE	-40 °C + 80 °C					
ELECTRICAL LIFETIME (SIEMENS SNI29500)	35.000 hours					
CURRENT DETECTION NOMINAL FAULT IN OPERATING RANGE	16 - 19 mA					
MAX. PILOTABLE CURRENT IN ALL THE OPERATING RANGE	400 mA					
THE FAULT DETECTION CURRENT MUST NOT EXCEED 80% OF THE CURRENT ABSORBED BY THE CLUSTER						
THE DEVICE MUST BE CONNECTED IN SERIES WITH THE LIGHT AND THE FLASHER						
THE 2 GND'S OF THE DEVICE CAN BE CONNECTED TO THE FRAME OR ON THE MASS OF THE FLASHER SAME						

MATERIALS	
1 CASE	NYLON PA6-6-30GF - COLOR: BLACK
2 CONNECTING WIRES	SINGLE CONDUCTOR COPPER CLASS T2* 1x1mm ² 300V 105°C
3 RESIN	POLYURETHANE RESIN - COLOR: BLACK
4 LABEL FOR BLACK WIRES	PLASTIC - COLOR: WHITE

REFERENCE STANDARD	
ISO 13207-1 : 2012	LED LAMP CHARACTERISTICS BULB COMPAT. FAILURE DETECT.
DIN EN 4050	IP65 (Self-Certifying)
EMC ECE R20 & 24 COMPLIANCE	EU DIR 2002/95/EC RoHS

EXAMPLE WIRING DIAGRAM



* = LED WITH INTELLIGENT LED SOLUTION BOOSTER P.N. ILS.02.H

REV.	DESCRIPTION	DATE	APPROVATO
01	HOUSING COLOR FROM GREEN TO BLACK	06/02/2020	09/02/2020

DESIGNATO	DATA	CONTRULLATO	DATA	PROGETTOR
DRAMDI	25-03-18	CHECKED	27-03-18	

DESCRIZIONE	DESCRIZIONE	DESCRIZIONE
INTelligent LED SOLUTION BOOSTER 24V	INTelligent LED SOLUTION BOOSTER 24V	INTelligent LED SOLUTION BOOSTER 24V

QUOTE NUM	mm DIMENSIONS	SCALE
1/1	1/1	A2

L'PRESENTI DESIGN E PROGETTI DI AUTOLETTING S.R.L. E SINDA RESERBASSO SCOPERTO ALLA STESSA NON POTRA ESSERE COMANDARE UTILIZZARLA O SOSTITUIRE QUALSIASI ALTRA VERSIONE. NE RENDE COMUNITA A TERO O RIPRODOTTO LA SOSTEM PROPRIETARIA TUTELA PROPRIORITTA TERMINI DI LEGGE.
 ALL PROPRIETARY RIGHTS RESERVED BY AUTOLETTING S.R.L. THIS DRAWING SHALL NOT BE REPRODUCED OR IN ANY WAY UTILIZED TO MAKE COMPONENTS AND IT MUST NOT BE RELEASED TO OTHER.
 PAGINA: WINDO/TWINTEN/CONSULI THE COMPANY ASSERTION'S SIGN'S ACCORDING TO THE LAW.