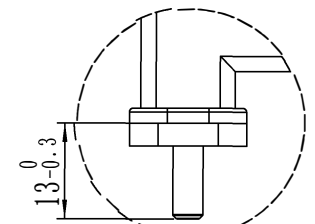
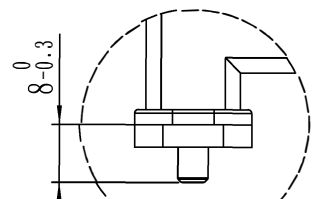
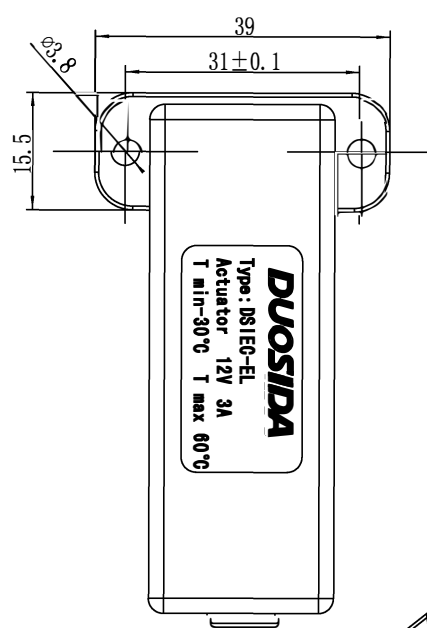
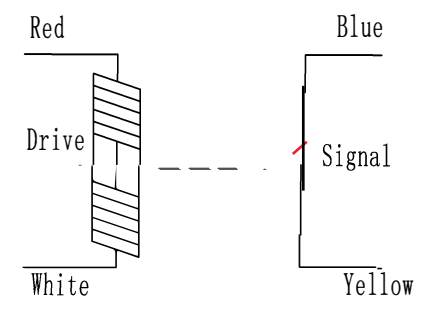
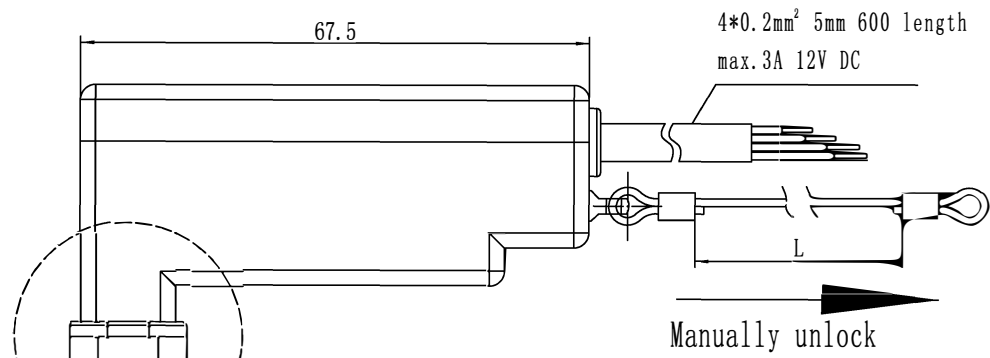
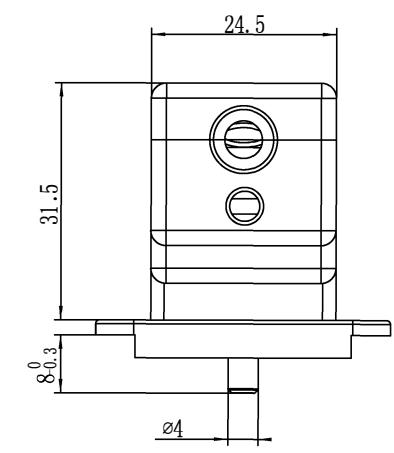
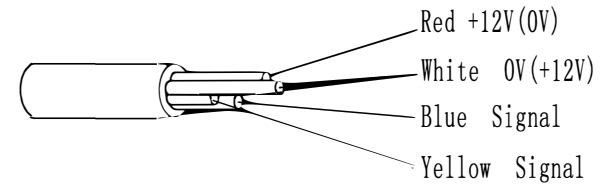


版本号 Ver	更改通知单号 ECN	更改标记 MARK	描述 DESCRIPTION	日期 DATE	签字 APP	校对 CHK



PIN 1	PIN 2	PIN 3	PIN 4
White	Blue	Red	Yellow



Line color	Actuator (Magnet)		Position control (Micro Switch)	
	Red	White	Blue	Yellow
Lock	+12V	0V	Closure	
Unlock	0V	+12V	Disconnect	
Maximum current	Connect: 3A Continuous: 0A		0.1A	
Rated voltage	(Operating Voltage<30V)		(Operating Voltage<250V)	
Withstand voltage	600 VDC		2500 VDC	

Activation time<300ms Continuous power supply 3second Max

Working environment -30°Cto+50°C

