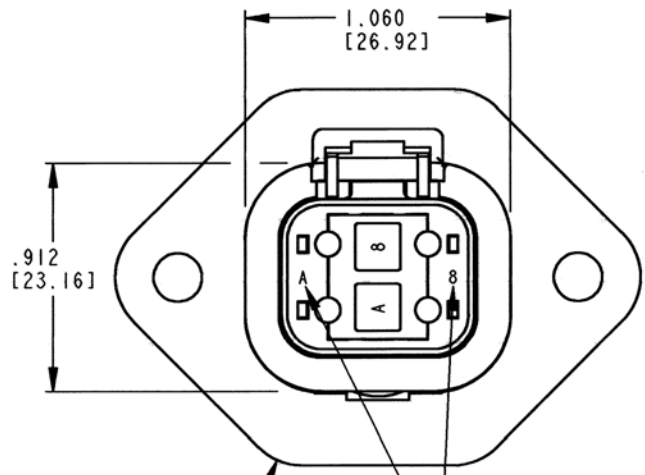
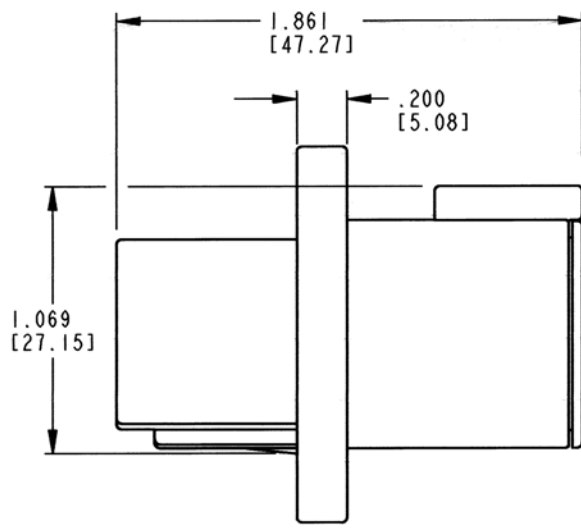
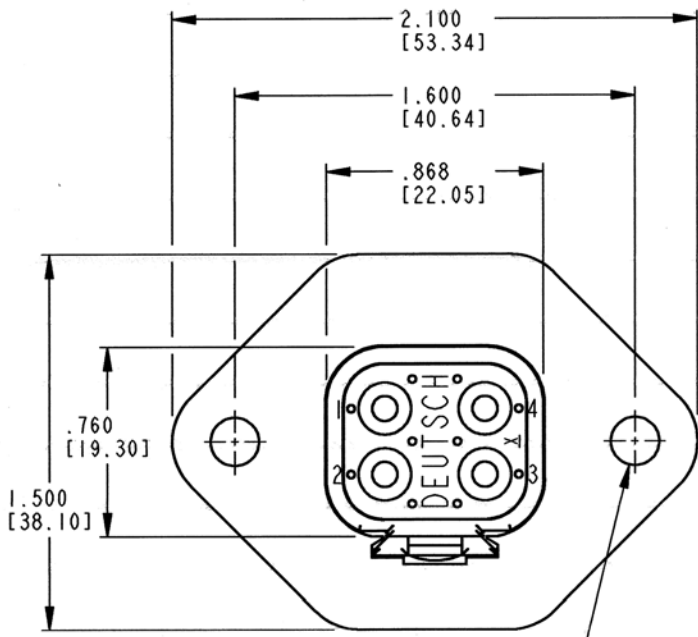


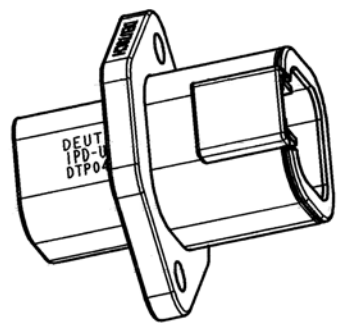
REV D DTP04-4P-L012

REVISIONS			
SYM	DESCRIPTION	DATE	APPROVED
A	REVISED PER E.O. P17013	11/30/00	R.D.R.
B	REVISED PER E.O. P17224	4-13-01	R.D.R.
C	REVISED PER E.O. P17309	6/14/01	R.D.R.
D	REVISED PER E.O. P20373	12-23-09	RDR



2X Ø.194 [4.93]  
CLEARANCE FOR #8 [M4.5]

DATE CODE: MONTH IS REPRESENTED BY SEQUENTIAL ALPHA CHARACTERS. EX: A=JANUARY; YEAR IS REPRESENTED BY LAST NUMERICAL DIGIT. EX: 8=2008



6. MATERIAL: HOUSING/FLANGE: PLASTIC  
GROMMET/SEAL: RUBBER
  5. THIS RECEPTACLE MATES WITH DTP06-4S-\*\*\*\* PLUG.  
(\*\*\*\* = ALL MODIFICATIONS)
  4. FOR CONTACT AND WIRE PERFORMANCE AND APPLICATION CHARACTERISTICS SEE ENVELOPE DRAWING 0425-015-0000.
  3. SECONDARY WEDGE LOCK SOLD SEPARATELY, WP-4P.
  2. DIMENSION TOLERANCE: ±.025 [.64], EXCEPT FOR PANEL CUTOUT: ±.010 [.25]. SEE SHEET 2.
  1. DIMENSIONS ARE IN INCHES [mm].
- NOTES:

CONTACT SIZE	MIN. INSUL. O.D.	MAX INSUL. O.D.	WIRE RANGE [mm <sup>2</sup> ] REF ONLY
12	.134 [3.40]	.170 [4.32]	10-14 AWG [5.0-2.0]

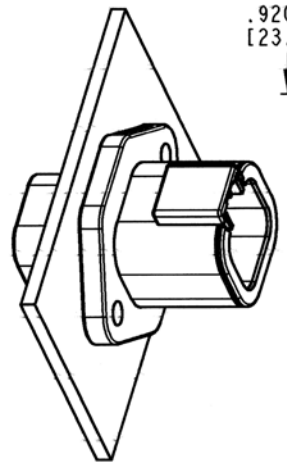
SIGNATURE & DATE	
DR	S. PALLUTH 10/24/00
CHK	[Signature] 12/23/09
PE	R. Milligan 12-15-09
APPD	[Signature] 12-18-09
SCALE	NONE WT

RECEPTACLE  
4 CONTACTS, SIZE 12  
COLOR: GREY  
-L012 MOD  
DTP SERIES  
ENVELOPE

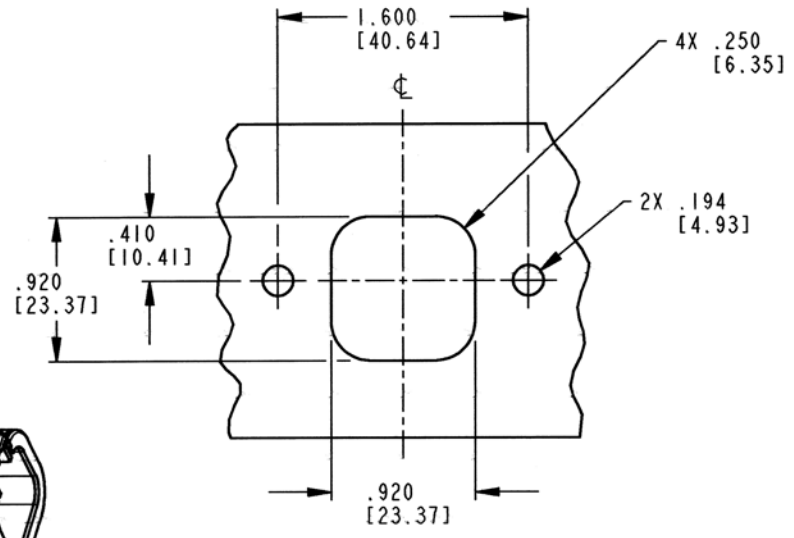
EP	EPI02	MATL CODE
3850 INDUSTRIAL AVE. HEMET, CA 92545		
<b>B</b> DTP04-4P-L012		
DWG SIZE	CODE 11139	SHEET 1 OF 2

REV D DTP04-4P-L012

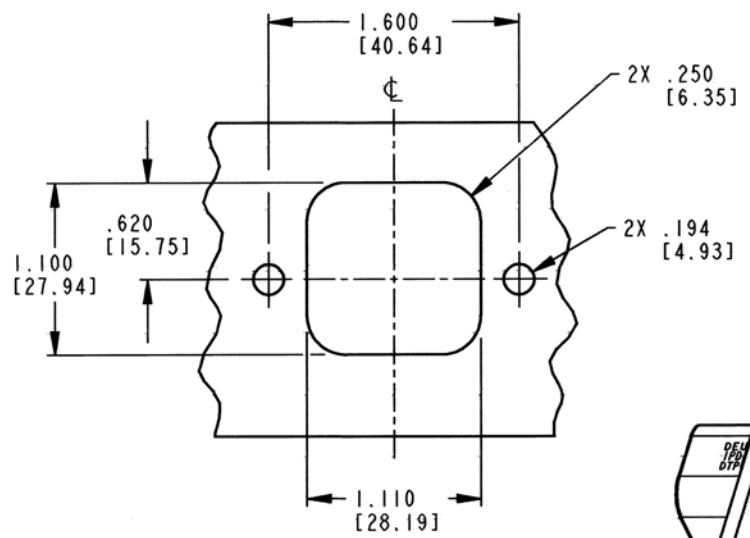
REVISIONS			
SYM	DESCRIPTION	DATE	APPROVED
D	SEE SHEET 1	12-23-09	ADR



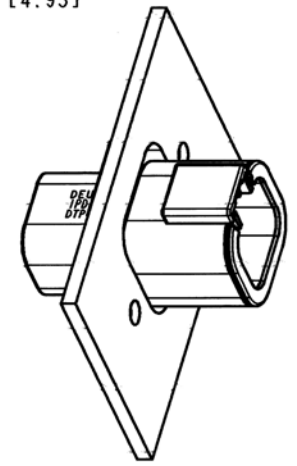
FRONT MOUNT  
REFERENCE VIEW



RECOMMENDED CUTOUT  
FRONT MOUNT



RECOMMENDED CUTOUT  
REAR MOUNT



REAR MOUNT  
REFERENCE VIEW

NOTES:

SIGNATURE & DATE	
DR	S. PALLUTH 10/24/00
CHK	[Signature] 12/23/09
PE	R. Sullivan 12-15-09
APPD	[Signature] 12-18-09
SCALE	NONE WT

RECEPTACLE  
4 CONTACTS, SIZE 12  
COLOR: GREY  
-L012 MOD  
DTP SERIES  
ENVELOPE

EP	EPI02	MATL CODE
3850 INDUSTRIAL AVE. HEMET, CA 92545		
<b>B</b> DTP04-4P-L012		
DWG SIZE	CODE 11139	SHEET 2 OF 2