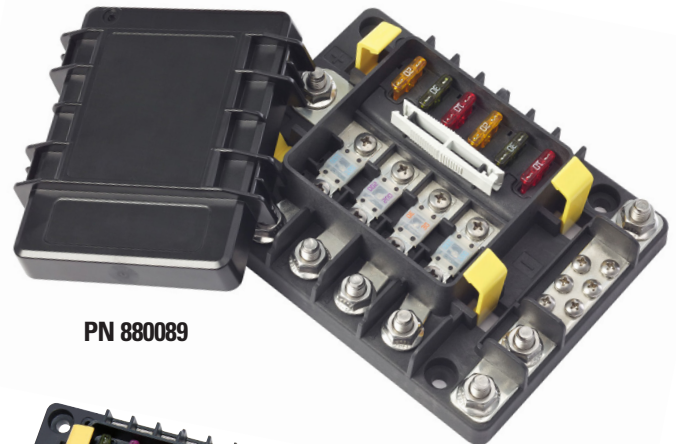


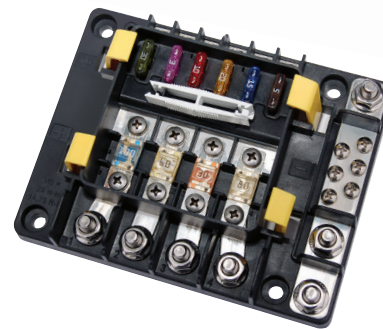
# LX Series Power Distribution Modules

*Entire vehicle electrical distribution & ground return center*

- ▶ Protects up to 4 high-amp and 6 low-amp circuits (30-200A MIDI® fuses and 1-40A ATO® fuses.)
- ▶ Ideal for upfitter & aftermarket vehicle circuit additions. Eliminates battery-box clutter, and saves space
- ▶ Reduces overall system cost by combining individual fuseholders



**PN 880089**



**PN 880094**  
(cover not shown)

## Ordering Information

Part No.	Description
880089	LX PDM 600A
880094	LX PDM 200A

## Features & Benefits

Rugged box with Cover Position Assurance (CPA) latches is sealed to IP59K, and is designed to withstand high-pressure, high-temperature washing or ingress of roadsplash. Provides the benefits of a sealed cover, but allows water to escape if the cover is mistakenly unsecured. Allows permanent cable connections to be protected for harsh environments, while leaving fuse connections clean and protected.

Provides storage for ATO® fuse puller (included), spare fuses and attachment screws (not included). Cover is tethered so that it cannot be lost.

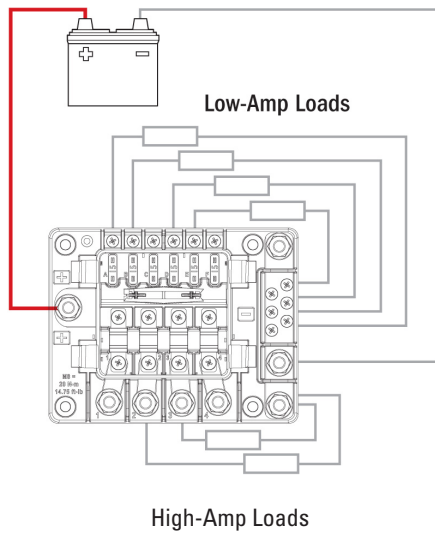
Ignition protected to SAE J1171 and ISO 8846 for installation in a battery box or on vehicles carrying hazardous loads.

Compact 6.5 x 5 x 2" unit fits conveniently inside or near battery boxes, and consolidates fusing for ten added circuits, while providing a collection point for negative returns.

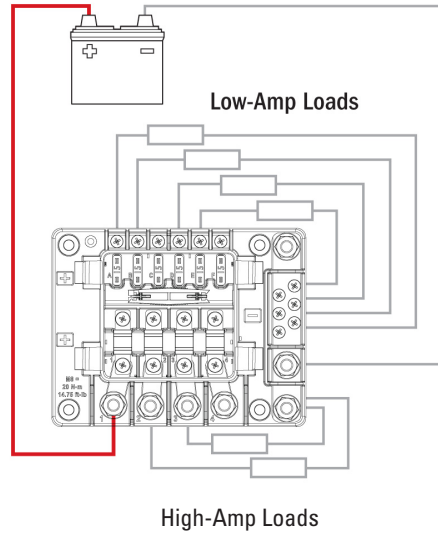
200A version (880094) offers current limited power distribution to eliminate excessive power usage.

# Configurations

PN 880089 (600A)



PN 880094 (200A)



# Specifications

880089 & 880094	
Maximum total continuous current	PN 880089 - 2 x 4/0 feed cables, 600A PN 880089 - 4/0 feed cable, 350A PN 880094 - 2/0 feed cable, 200A
Maximum MIDI continuous current per circuit (85% of max fuse rating)	170A
Maximum ATO continuous current per circuit (75% of max fuse rating)	30A
Dielectric breakdown withstand	1,100V DC, 2 min
Maximum continuous voltage (limited by fuses)	60V DC
Recommended ring terminal	High-Amp - 5/16" (M8), Low-Amp - #8, M4
Stud size	4 x 5/16" (M8)
Temperature range	-50°C to 125°C
Humidity	0-95% RH
Shock	50 G
Vibration	8 G
Ingress Rating	IP59K
Salt spray	1,080 hours
Weight	1.90 lbs (0.86 kg)