

#### FEATURES

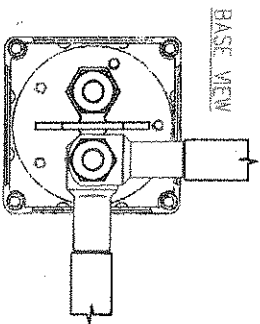
- Surface or Recess Mounting
- Contourlock Mouldings for Modular Mounting
- Interchangeable Label System
- Sliding Contact for Self Cleaning

#### SPECIFICATIONS

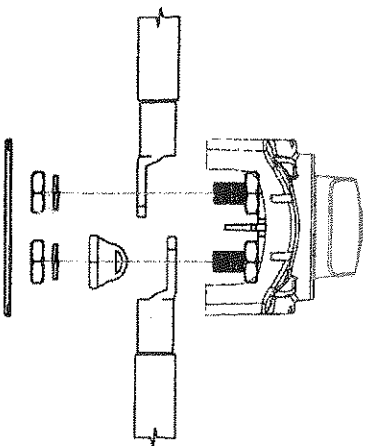
- Continuous Rating: 600 Amps DC
- Intermittent Rating: 800 Amps DC
- Cranking Rating: 2500 Amps DC
- Voltage Rating: 48 Volts DC
- Termination Stud Size: 2 x 12mm
- Dimensions: 102mm x 102mm x 90mm H

HC MS/720

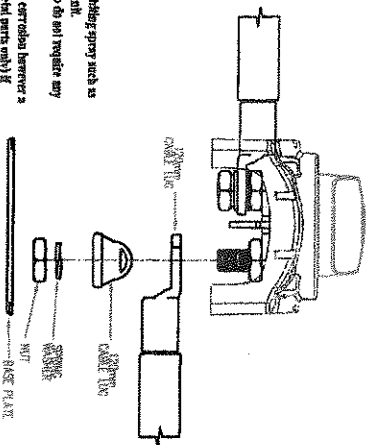
[www.bepmarine.com](http://www.bepmarine.com)



BASE VIEW



SIDE VIEW



#### IMPORTANT

Do not use any type of corrosion inhibiting spray such as CRC, INOX, etc. on any part of this unit.  
These units are hermetically sealed so do not require any other form of sealing.  
The wires have been treated to inhibit corrosion however a protective grease may be used (on metal parts only) if required.

**BEP**

BEP MARINE LTD. - OCEAN  
15 Ford Browne Road, Albany  
Ph: 043 728 1764 Fax: 043 728 1037  
www.bepmarine.com

TR10  
BEP 720 MASTER SWITCH  
CABLE ATTACHMENT

720 INST

ABC D

REV: 7/09/01

DESIGN: J. D. SAGAR

PROJ. NO.

A. WARNING: Este artículo puede ser peligroso si se usa incorrectamente.  
B. Avertissement: Cet article peut être dangereux si utilisé de façon incorrecte.  
C. Advertimento: Este artigo pode ser perigoso se usado incorretamente.