

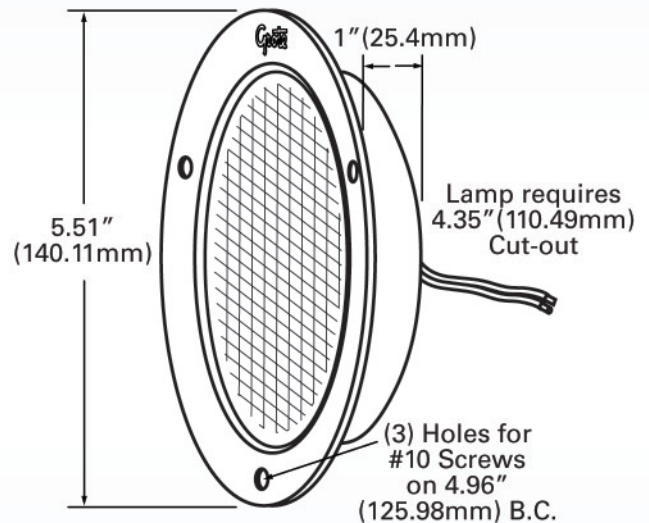
4" Round LED Dome Lamp



Product Information Sheet

LED WhiteLight™ BRIGHTER LIGHT
BETTER PERFORMANCE
INNOVATION by Grote Industries, Inc.

- Improved High Output design
- Rated to 50,000 hours
- Low power consumption
- LEDs produce less heat than incandescents



Product Features and Benefits:

- Encapsulant potting for total circuit board protection
- 4 Diode lamp has low amp draw and low heat emission
- Hardwire terminations allow for easy connections to the existing wiring system
- Chemical resistant acrylic lens, White powder coated housing
- Low-profile design makes it great for trailer walls
- Allows for wide temperature operation from -40°F to +140°F
- Comarable light output to a 21 candlepower incandescent lamp, but with better temperature flexibility

Material: Aluminum/Acrylic
Finish: White

61141 - Voltage Amp: 12 V - .48 AMP

61021 - Voltage Amp: 24 V - .25 AMP

Bracket: 43744 (not required)

Part Number	Market	Light Source	Voltage	Current Draw	Interchange
61141	All Dome Applications	4-LED	12V	.48Amp	TL- 44046C, TL- 44237C, TL- 44237C3
61021	All Dome Applications	4-LED	18-32V	.25Amp	N/A

Grote
The first name in
vehicle safety systems®

2600 Lanier Drive Madison, Indiana U.S.A. 47250-0550

U.S. 800.628.0809 Canada 800.268.5612

www.grote.com

GLB-2006-24