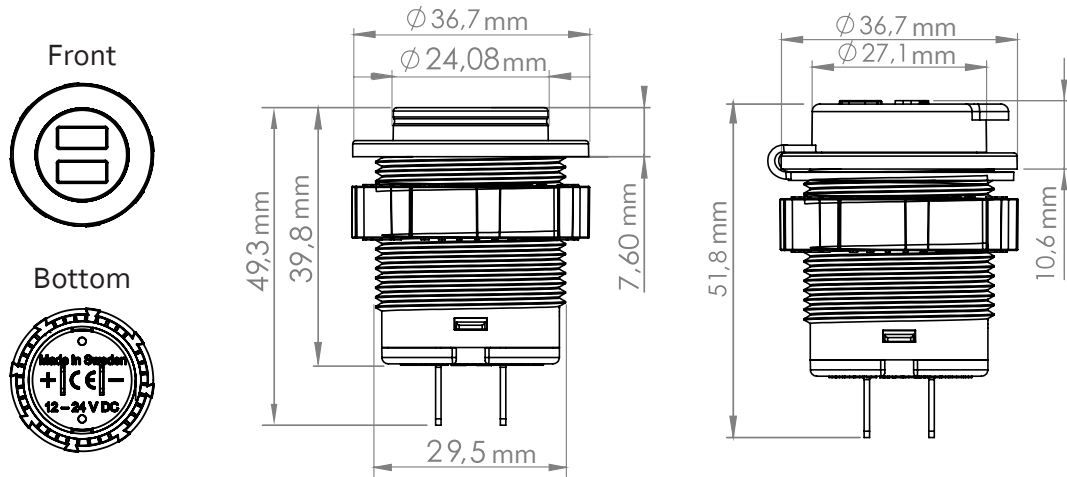


6010, DOUBLE USB SOCKET - RECESSED



Article no: 6010

Description: Double USB Socket - recessed

Color: Black

Illumination: Yes

Max output current: 5,0 A

Input voltage: 8 - 29 V DC

Max output voltage: 5 V DC $\pm 2\%$

Weight: 21,4 g (23,7 g with cap)

Connection: 6,3 mm push on terminals

Reverse voltage protection: Yes

Thermal overload protection: Yes

Overvoltage protection: Yes

International Protection Marking: IP65 (when cap is attached)

Installation panel thickness: Max 17 mm

Drill hole: \varnothing 30-32 mm

Material housing/lid: Styrolution PS 495N

Santoprene 121-62M100

Country of origin: Sweden

Other information: CE approved

RoHS directives are met

REACH directives are met

Not UL approved

