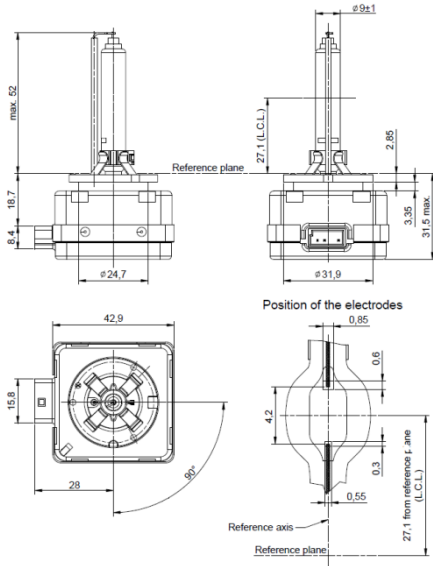




<b>Specification</b> <b>Data Sheet</b> <b>Test Report</b> Document no.: 00-6000-02	<b>Subject:</b> Discharge Headlight Lamp With Clear Outer Bulb D3S 35W PK32d-5 <b>Category:</b> D3S <b>Cap:</b> PK32d-5	<b>Type no.:</b> 6000  <b>Version no.:</b> 2 <b>Date:</b> 24.03.2015 <b>Page:</b> 1 of 1
--	---	--



Dimensions in mm.

**Regulation / Standard:**  
 ECE R99 / D3S  
 IEC 60061-1 / 7004-111-4  
 IEC 60809 / 7110-1  
 IEC 60810  
 49CFR571.108 (FMVSS No 108)  
 NHTSA-98-3397  
 SAE J2009  
 Directive 2000/53/EC (ELV directive)

**Monograming:**  
 D3S 35W 53660SE (E4) 0B1 DOT

<b>Technical Data</b>		
<b>Initial Parameters</b>		
Test Voltage / Lamp Voltage:	13.5 V	33-51 V
Wattage:	35 W	
Luminous Flux:	2750 Lumens	3650 Lumens
Colour Coordinates:	$X \geq 0.345, Y \leq 0.150, 0.640X$	$X \leq 0.405, Y \geq 0.050, 0.750X$
Colour Temperature:	4200 °K	
Arc Bending (r) / Width (s):	$0.5 \pm 0.4$ mm	$1.1 \pm 0.4$ mm
<b>Life</b>		
Test Voltage:	13.5 V	
Nominal Life:	$B_3 = 1500$ Hours	$T_c = 3000$ Hours
Min. Lumen Maintenance:	60% at 2250 Hours	
<b>Operating Requirements</b>		
Operating Position:	Horizontal	