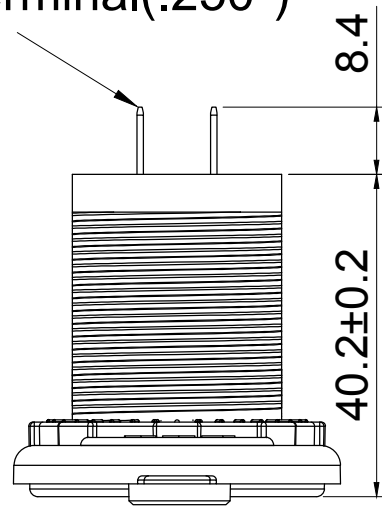
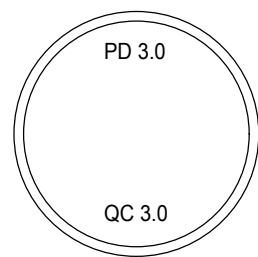


Quick Terminal(.250")

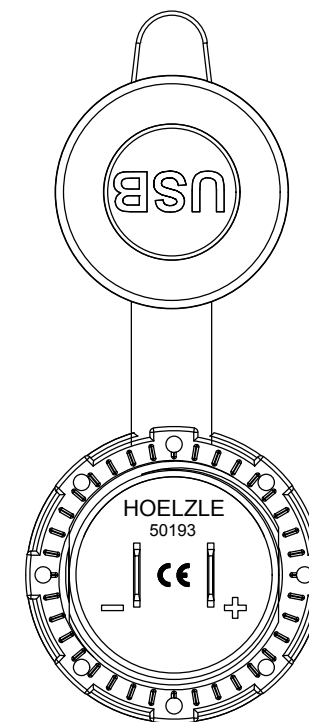
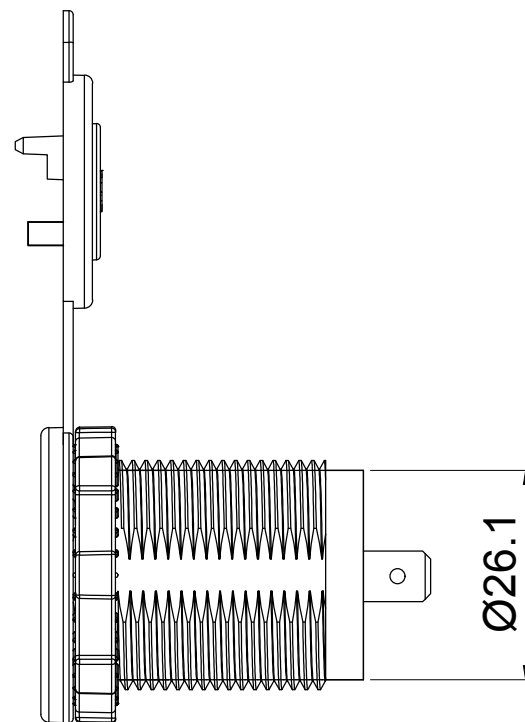
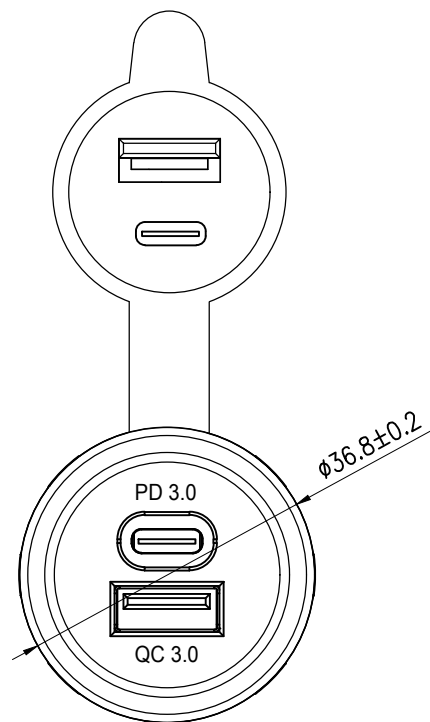


Rating	Input:9-36V DC Output:PD3.0:DC 5V3A, 9V3A, 12V2.5A,15V2A, 20V1.5A QC3.0:DC 5V3A, 9V3A, 12V2.5A, 20V1.5A	
Insulation Resistance	DC 500V 100MΩ Min.	
Dielectric Strength	AC 1500V 1 minute	
Operation Temperature	-10°C~40°C	

Housing: PC Paint Black(
Rear Cover: PC Black
Dust Cover: PVC 70% Black
LED: Blue
Terminal: Copper alloy



Laser Engraving



				Drawn	Checked	Approved		Model Name	USB car charging	
			△				Customer No.	Model No.	50193	Rev.
Date	Name	Description	No.	01/13/22			Unit	mm		0