

**TECHNICAL DATA SHEET**  
**Ref. 500020**  
**UNIPOLAR TERMOPLASTIC**  
**BATTERY MASTER SWITCH**  
**24VDC / 75A**



**GENERAL CHARACTERISTICS**

Protection degree: IP61  
 Ambient temperature: -40°C to +85°C  
 Weight: 0.162 Kg approx.  
 Contacts: Copper  
 Connections: not polarized

**FIELDS OF APPLICATION**

Handling vehicles, industrial vehicles,  
 agriculture machinery, industry...

**POWER CIRCUIT**

Connection: M10 terminals  
 Tightening torque: 1.2 +/- 0.1 daN·m  
 Type: D1 normally open  
 Nominal current: 75 A  
 Nominal voltage: 24 VDC  
 Max. capacity: 200 A during 5 seconds

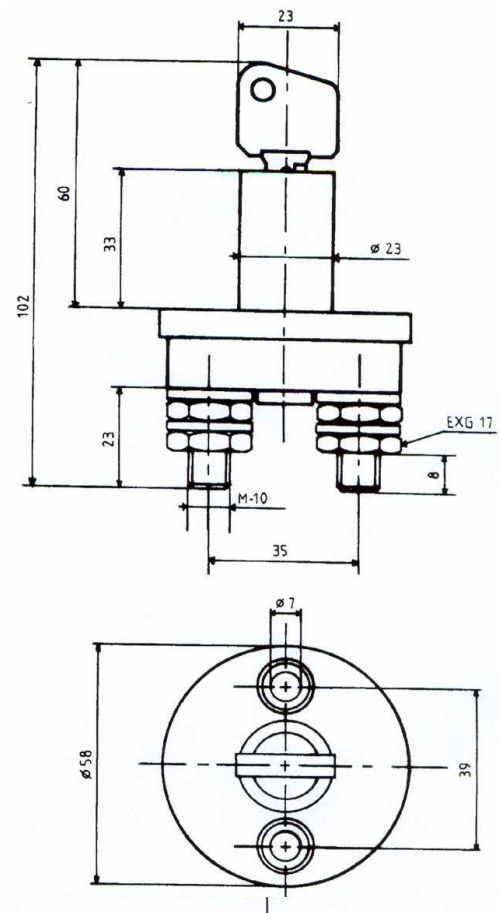
**PARTICULAR CHARACTERISTICS:**

Security key control

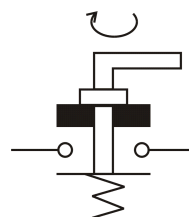
**SPARE PARTS**

Key 520000

**Size diagrams**



**Connection diagram**



**Fixing diagram**

