

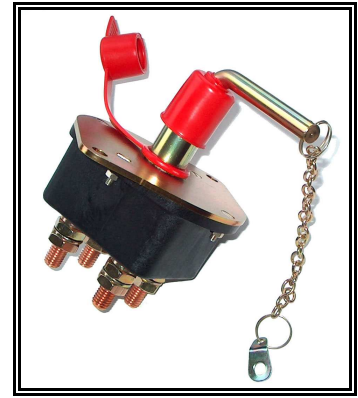
## TECHNICAL DATA SHEET

# Ref. 500009

## BIPOLAR BATTERY

## MASTER SWITCH

## 24VDC / 250A



### GENERAL CHARACTERISTICS

Protection degree: IP66  
Ambient temperature: -40°C to +85°C  
Weight: 1.00 Kg approx.  
Contacts: Copper  
Connections: not polarized

### FIELDS OF APPLICATION

Agriculture machinery, industry...

### POWER CIRCUIT

Connection: M10 terminals  
Tightening torque: 1.5 +/- 0.1 daN·m  
Type: Normally open **BIPOLAR**  
Max. using tension: 48 VDC  
Nominal current: 250 A  
Max. capacity: 2500 A during 5 seconds

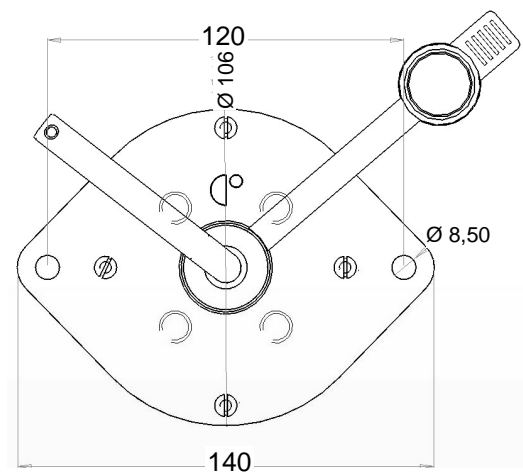
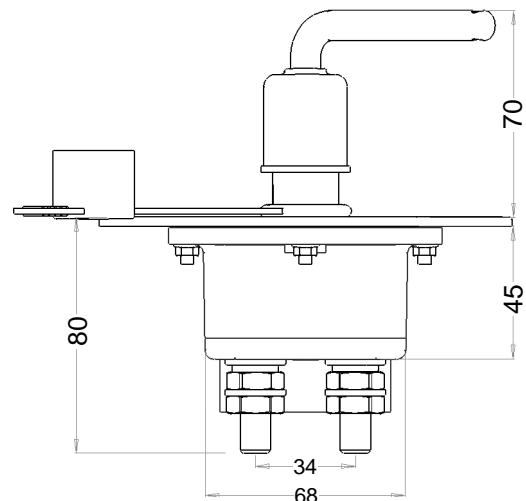
### PARTICULAR CHARACTERISTICS:

Removable handle with PVC protector

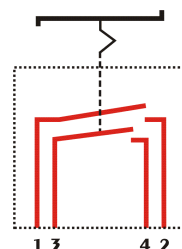
### SPARE PARTS

Handle + chain + protector	520020
Handle	520029
Strap + PVC protection	520003

### Size diagrams



### Connection diagram



### Fixing diagram

