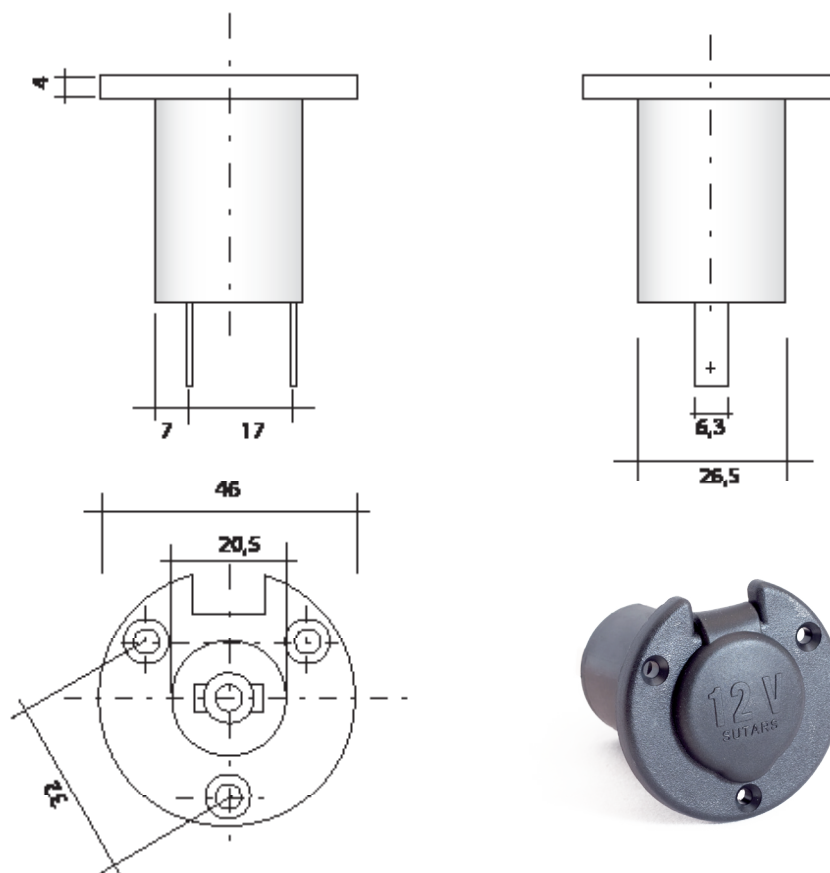


1216, SOCKET - recessed round flange.



Article no: 1216

EAN code: 7331817012164

Description: Socket - recessed, round flange. Relief "12 V" in lid.

Color: Black

Max current: 16 A

Max voltage: 50 V

Weight: 22 g

Connections: 6,3 mm push on terminals

Front plate: Ø 46 mm

Drill hole: Ø 27 mm

Material: Santoprene 121-62M100

Styrolution PS 495N

Nickel-plate brass

Country of origin: Sweden

Other information: RoHS directives are met
REACH directives are met
Not UL approved